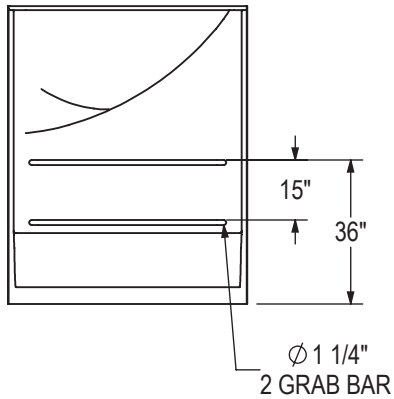
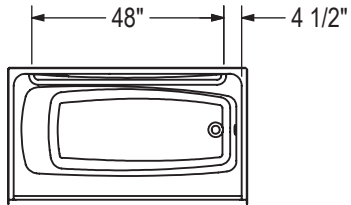


BASE MODEL WITH MASS GRAB BAR PACKAGE  
RIGHT SIDE SHOWN  
LEFT SIDE SYMMETRICAL



All dimensions are approximate. Structure measurements must be verified against the unit to ensure proper fit.