

**CORINNE
ACRYLIC DOUBLE
ROLL TOP TUB**

Cat. No.
ATDR7H71B



L: 72-7/8"
W: 30-3/4"
H: 24-7/8"

Water depth: 17-3/4" to top of tub
Water depth: 13-1/4" to overflow

Features:

- ▶ Interior and exterior walls 5mm acrylic sheets
- ▶ 7/8" wall thickness
- ▶ Includes base
- ▶ 7" Centers in tub deck
- ▶ No overflow
- ▶ Built-in adjusters included
- ▶ Tub is thoroughly inspected before shipment
- ▶ IAPMO Certified



Custom Colors Available (inside of tub is always white enamel):
Painted bathtubs are considered "special order" and are not returnable
\$160 Bisque or Black \$250 Designer Color

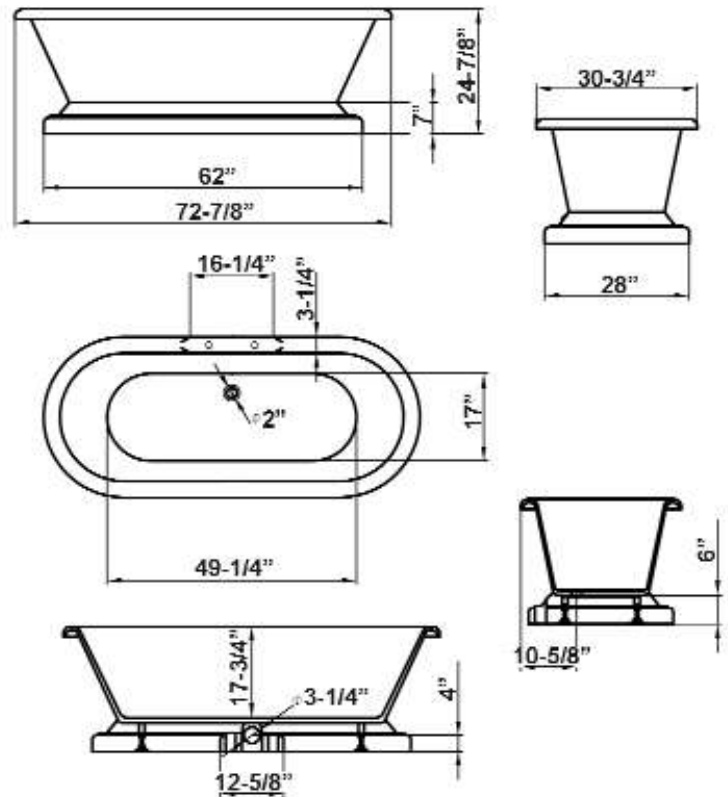
The following is recommended for ATDR7 tubs:

- Faucets: part #4601 or 4201
- Use with Straight Bath Supplies: part #5577
- Leg tub drain: part #5599LT or 5599TS

Gallon Capacity: 65
Shipping Weight: 192 lbs.
Empty Weight: 132 lbs.
Filled Weight: 726 lbs.



Overflow can be drilled.
With overflow drilled this tub requires drain 5599.
Tubs that have been drilled with overflow are "special order" and are not returnable.



Dimensions of fixture are nominal and specifications subject to change without notice.