

# ESSENCIA 6838

68" x 38" x 26" (FREESTANDING)

Essencia evokes essence—the elemental aspects of the inner being.


## PRODUCT NO.

MODEL	TMU	TUB
Freestanding	BESPRF00T-XX	BESPRF00N-XX

THERMOMASSEUR (TMU) Hydro-thermo massage • Air jet system	\$11,035
Jets	59
1 heated backrest & headrest	Included
MiaPlus® Control*	Included
BU-Touch Control Application	Included
Geysair®	Included
AromaCloud®*** BAROMAC	\$490
AromaFlow®***** BAROMAF <b>NEW</b>	\$950
Illuzio Chromatherapy BCHRO6	\$925

TUB Soaker	\$7,985
AromaCloud®*** BAROMAC	\$490
AromaFlow®***** BAROMAF <b>NEW</b>	\$950
Illuzio Chromatherapy BCHRO6	\$925
WarmTouchShell® BWTS	\$1,125
DOT control	Included with therapy

## FEATURES

Installation type	Freestanding		
No. of bathers		Inverted V	1
US gallons	67	Armrests	2
Imp. gallons	56	Grab bars (color match)	2
Raised seats	1	Footrest	1

## WASTE & OVERFLOW 16" x 35" BOVER16I-XX


White 01, Chrome 07, Brushed Nickel 09, Polished Nickel 10, Oil-rubbed Bronze 11	Installed & Included
----------------------------------------------------------------------------------	----------------------

## STANDARD COLOR

	White 01	Included
-------------------------------------------------------------------------------------	----------	----------

## OPTIONS (UPCHARGE APPLICABLE)

### COLOR

	Black / White 66	\$475
-----------------------------------------------------------------------------------	------------------	-------

### FINISH

UltraVelour Matte Finish (white only) BVEL2	\$850
---------------------------------------------	-------

### CLEAR ACRYLIC GRAB BARS BGBG10-XX

With Chrome 07 or Brushed Nickel 09 inserts	\$60
---------------------------------------------	------

### INTEGRATED WASTE & OVERFLOW BOVERIN-XX

White 01, Chrome 07, Brushed Nickel 09, Polished Nickel 10, Matte White with UltraVelour finish 32	\$235
----------------------------------------------------------------------------------------------------	-------

Matte Black 19, Satin Brass 18	\$355
--------------------------------	-------

### ISLAND TUB DRAIN™\*\*\*

Island Tub Drain™ BSLDD	\$260
-------------------------	-------

Cast Iron Island Tub Drain™ BSLDDCI	\$310
-------------------------------------	-------

### IF REQUIRED BY CONSTRUCTION CODE OR INSTALLED WITH ITD

Brass waste & overflow kit**** BDRCOB	\$240
---------------------------------------	-------

Brass waste kit**** BDRCB	\$60
---------------------------	------

16" x 35" Cable driven brass waste & overflow kit BOVERBR	\$240
-----------------------------------------------------------	-------



Don't forget to specify the **finish of the integrated waste & overflow.**

\* For TMU, control must be wall-mounted. Faucets must be freestanding or wall-mounted.

\*\* The AromaCloud® is built into the deck (factory installed).

\*\*\* An Island Tub Drain™ is required when there is **no access under the bath**. ITD requires the Brass waste kit (BDRCB) if ordered with the Integrated waste & overflow. ITD requires the 16 x 35 Cable driven brass waste & overflow kit (BOVERBR) if ordered with the 16 x 35 waste & overflow.

\*\*\*\* When ordered with integrated waste & overflow.

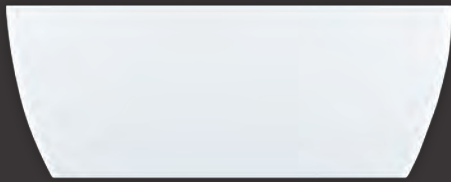
\*\*\*\*\* When ordering an AromaFlow, an Integrated waste & overflow is mandatory (Upcharge). Specify the finish of the waste.

With the AromaFlow, the included Grab Bars can not be installed.

## FOR THE INSTALLER

SCAN  
TO VIEW  
INSTALLATION  
VIDEO (3:20 MIN)

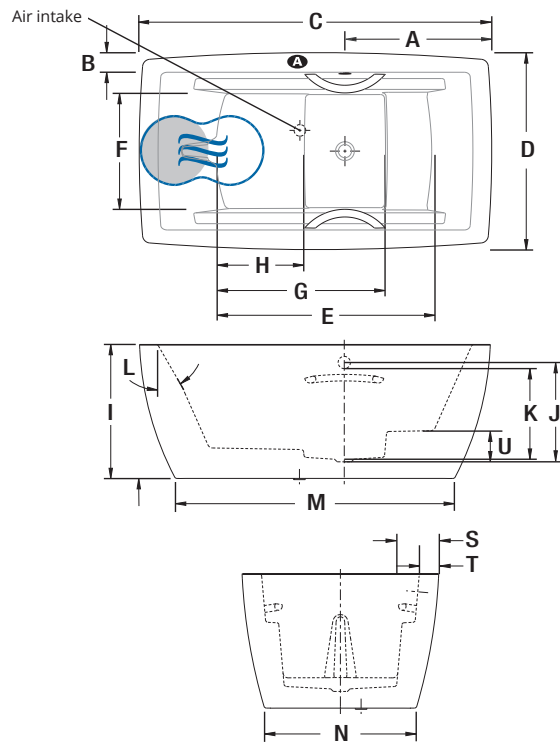




**ESSENCIA 6838 (FREESTANDING)**



**INSTALLATION**



LETTER	DESCRIPTION	MEASURE
A	Outside edge to center drain	28 1/4"
B	Deck width	3 3/4"
C	Total length	68"
D	Total width	38"
E	Bathing well length	42"
F	Bathing well width	22 3/8"
G	Bottom bathing well length	32 3/8"
H	Raised seat length	16 5/8"
I	Height from bottom of bath to top deck	26"
J	Height from bottom of drain to center of overflow	19 3/8"
K	Maximum water level (Waste & overflow 16" x 35")	17 5/8"
	Maximum water level (Integrated waste & overflow)	18 9/16"
	Maximum water level with AromaFlow	17 9/16"
L	Slope of backrest	30°
M	Base length	54 1/8"
N	Base width	29 1/4"
S	Minimum spout reach	7 3/4"
T	Outside edge to overflow	4"
U	Height of footrest	5 1/2"

- A** AromaCloud® position
- Indicates heated backrest (TMU)
- TUB** Indicates WarmTouchShell® position (TUB)

**TECHNICAL SPECIFICATIONS**

<b>Hot water supply required</b>	The hot water supply should be 70% or more of the bath's total water capacity.
<b>Turbine</b>	Access to the pump must be at least 18" x 22". <b>Standard connection is 20 A, 120 V, 60 Hz, dedicated line with a Ground-Fault Circuit Interrupter (GFCI). For any additional option, a second line is needed 15 A, 120 V, 60 Hz, dedicated line with a GFCI.</b> Air vent necessary: 2" x 4" minimum.
<b>Others</b>	<ul style="list-style-type: none"> <li>- The Geysair® is located on the same side as the heated backrest. It must <b>NOT be relocated</b>. It must be <b>connected to the hot water supply</b> and be accessible (provide access).</li> <li>- Faucet must be freestanding or wall-mounted. - The turbine must be <b>remotely installed</b>.</li> <li>- TMU: Control must be wall-mounted. - The water level will be lower when an AromaFlow is installed.</li> <li>- TUB: Dot controls are located on either sides of the AromaCloud®.</li> </ul>

Our products must be installed by certified professionals only and according to our Owner's Manual as well as federal, provincial/state and local building codes and regulations ([www.bainultra.com/dealers/dealer-documentation-and-catalog](http://www.bainultra.com/dealers/dealer-documentation-and-catalog)).

<b>Cutting template</b>	# 90000057
<b>Approx. shipping weight</b>	290 lb
<b>Turbine power</b>	550 W
<b>Air heater</b>	600 W
<b>WARRANTY</b>	
Controls-LED-Geysair*	5 years
Bath & turbine*	20 years

\* Some restrictions apply | [www.bainultra.com/warranty](http://www.bainultra.com/warranty)

The specifications shown indicate the outer edge dimension and the inside bathing capacity dimension measured at air jets' height. The manufacturer accepts a 1/4" [0.64 cm] variance. There are variations on each product and specifications are subject to change as we improve upon our product as required. The dimensions needed for site preparation and structure building will differ. BainUltra® assumes no responsibility for preparatory work done prior to the product being on site.