

# ShowerCast (Round Drain)

**Model number:**

BZ101000

**Dimensions:** 60" x 30" x 5"

**Installation:**

**Material:** Porcelain-finished Steel



## Standard Features:

- Porcelain-Finished 60" x 30" Round Drain Shower Base
- Classic-style porcelain-finished shower base.
- Low threshold for safe and easy step-through entrance and exit.
- Designed for new and remodel applications where easy-access is desired.
- Constructed of one-piece with acid-resistant, high-gloss, sanitary, and stain-resistant porcelain finish.
- Same length as industry-standard 5 ft

## Product characteristics:

- Brilliant porcelain finish
- Remodeling or New Construction
- Lifetime Warranty

## Warranty:

Lifetime limited

## Code Compliant:

ADA|WW-P-541|LEED|HUD-FHA-VA|MA

## Standard colors:



White

## Certifications

MAAX products adhere to one or more of the following certifications:



# ShowerCast (Round Drain)

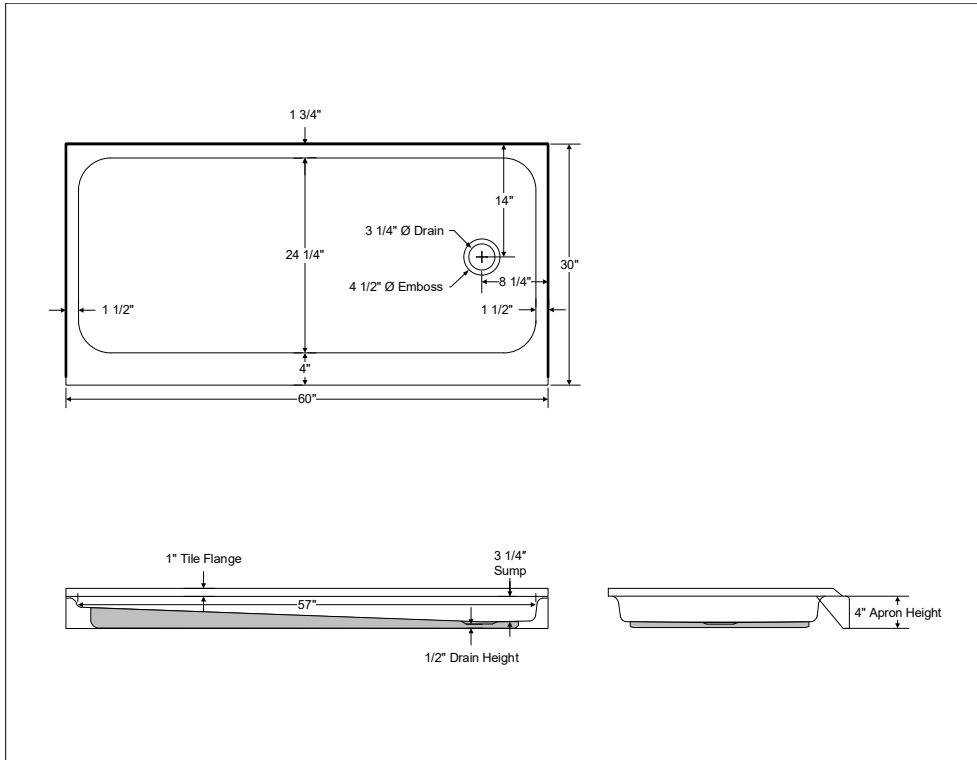
**Model number:**

**BZ101000**

**Dimensions:** 60" x 30" x 5"

**Installation:**

**Material:** Porcelain-finished Steel



**Dimensions:**

60 x 30 x 5 in.  
( x x mm)

**Weight:**

44 lbs ( kg)

**Shape:**

Rectangular

**Drain location:**

Left

Right

**Installation:**

Alcove

Project:

Contractor:

Representative:

Date:

Tel:

Notes: