



3004-I, 3304-I, 3504-I, 4804-I, 5204-I, 5504-I, 6104-I, 6204-I, 6404-I, 6804-I, 7704-I, E304-I, E404-I, & E504-I Single Hole Bidet with Pop-Up Drain Installation Instructions

CALIFORNIA FAUCETS RECOMMENDS THAT ALL PLUMBING PRODUCTS BE INSTALLED
BY A LICENSED PROFESSIONAL

IMPORTANT: Read all instructions prior to installation and provide copy of instructions to consumer.

Operating Specifications:

Recommended Supply Pressure: 20 to 70 psi*

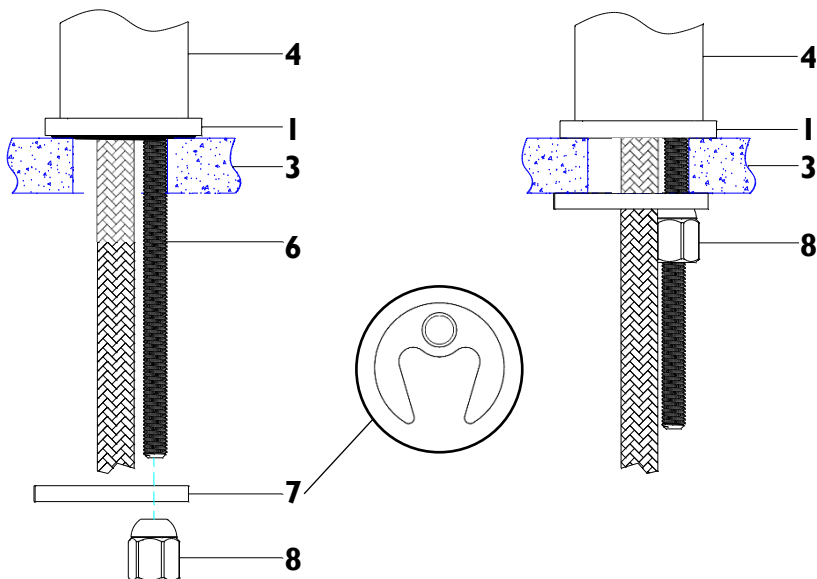
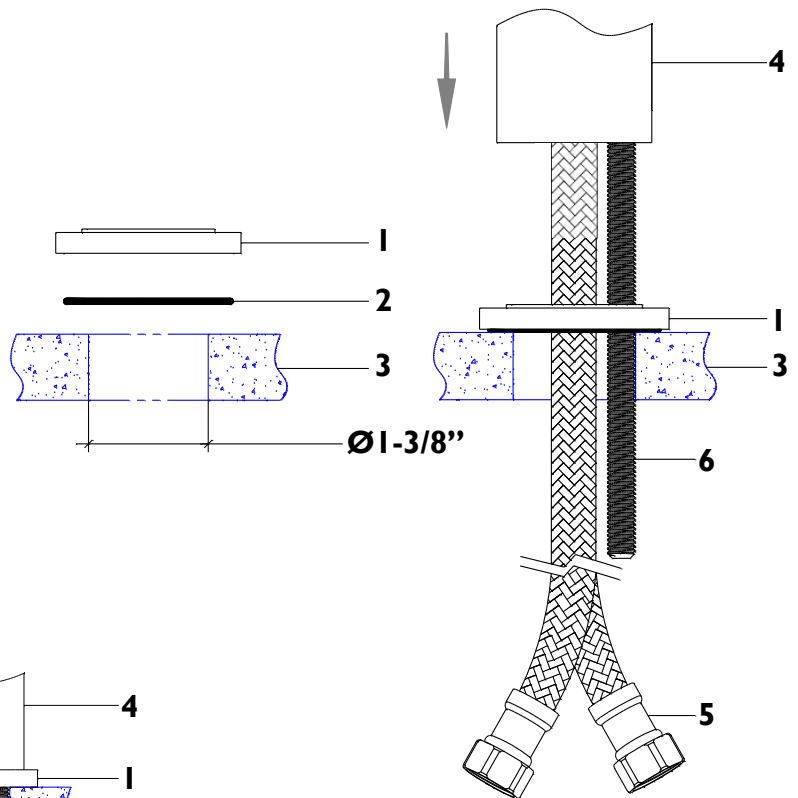
* If water pressure exceeds 70 psi install a Pressure-Reducing Valve (PRV).

I INSTALLING TRIM TO BIDET

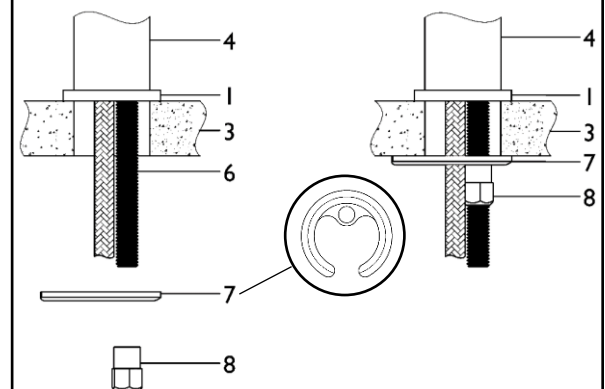
- Insert O-RING (2) into bottom of BASE RING (1) and center over bidet THROUGH-HOLE (3)

Note: Recommended bidet THROUGH-HOLE is $\varnothing 1\text{-}3/8''$

- Insert FLEX HOSE (5) (one at a time) and THREADED ROD (6) through BASE RING (1) and bidet THROUGH-HOLE (3)
- Place BODY (4) on top of BASE RING (1)
- From underside of sink/deck THROUGH-HOLE (3), place MOUNTING BRACKET (7) and NUT (8) onto THREADED ROD (6)
- Tighten NUT (8) until BODY (4) and BASE RING (1) is secure to bidet



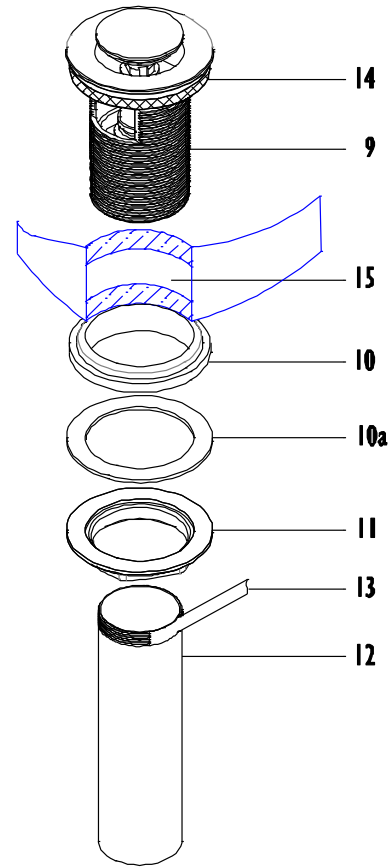
NOTE: Bidet set may use NUT (8) and BRACKET (7) shown below



2

INSTALLING POP-UP DRAIN

- Slide white foam WASHER (14) up under flange of BODY (9)
- or -
- Apply thin film of Silicon® sealant (or equivalent – DO NOT use petroleum-based sealant as this WILL void finish warranty) to underside of flange on BODY (9)
- Insert BODY (9) down through bidet drain HOLE (15)
- From underside, slide MACH-WASHER (10) and FRICTION-WASHER (10a) up onto BODY (9)
- Secure BODY (9) into place with flange NUT (11)
- Apply Teflon® tape (13) (not supplied) to threaded portion of TAILPIECE (12) & tighten onto BODY (9)



3

SUPPLY & WASTE CONNECTIONS

- Connect blue colored FLEX HOSE (5) to cold SUPPLY VALVE (17) and red colored FLEX HOSE (5) to hot SUPPLY VALVE (17)

Important: Flush supply lines and valves prior to installation to prevent damage and malfunction of cartridge

- Connect waste P-TRAP (16) to drain TAILPIECE (12)
- Turn on cold and hot SUPPLY VALVES (17)
- Slowly open faucet lever by lifting lever and rotate to left and right
- Check all connections for leaks and repair as necessary
- Give these instructions to consumer for safe keeping

Note: Occasionally, due to water conditions it may be necessary to remove aerator and clean debris off with soft bristle toothbrush

