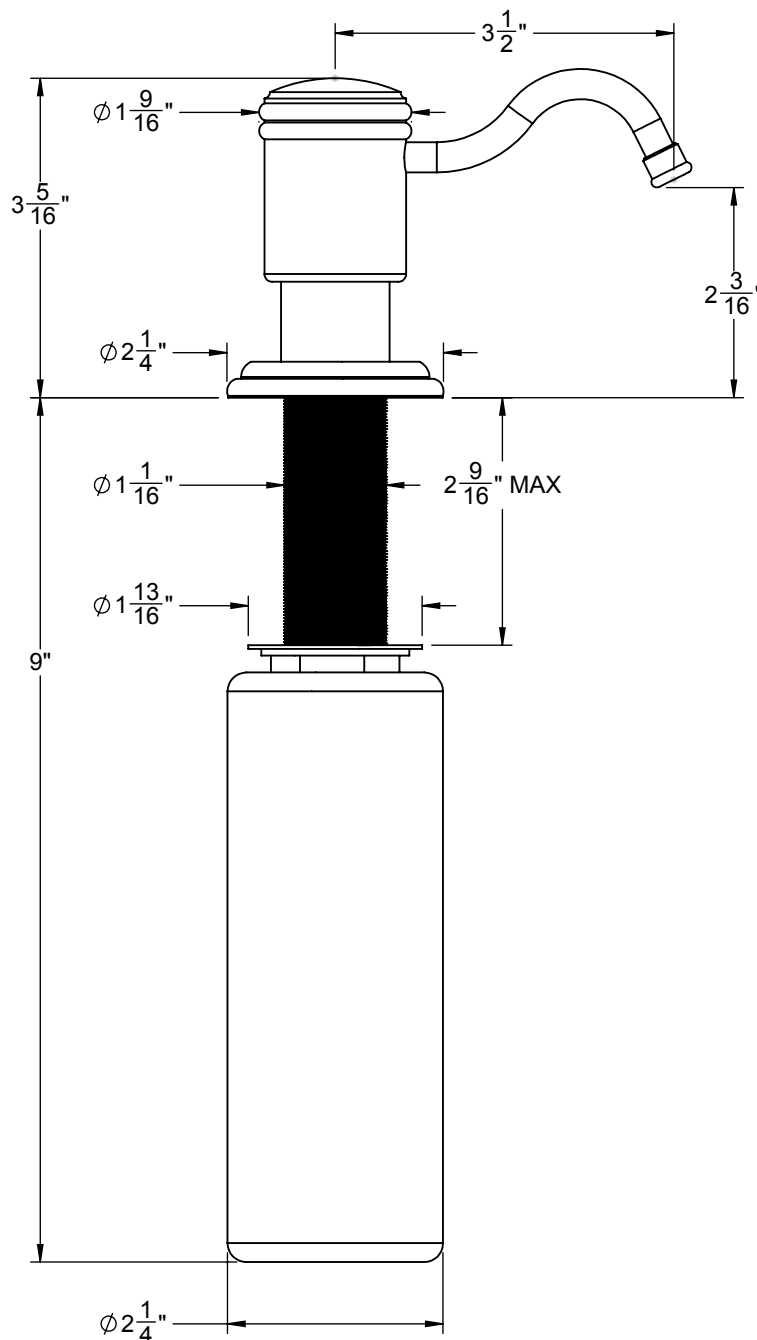
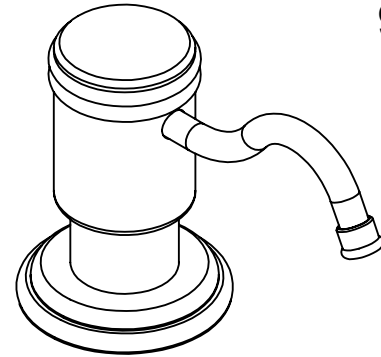




### Features

- Solid brass construction
- Easy refill from top
- 12.5 fl. ounce capacity bottle
- Over 30 finishes including 15 PVD finishes

### 9631-K10



THROUGH-HOLE SPECIFICATIONS		
MIN	RECOMENDED	MAX
Ø 1-1/16"	Ø 1-1/4"	Ø 1-1/2"

ALL DIMENSIONS SHOWN TO NEAREST 1/16"