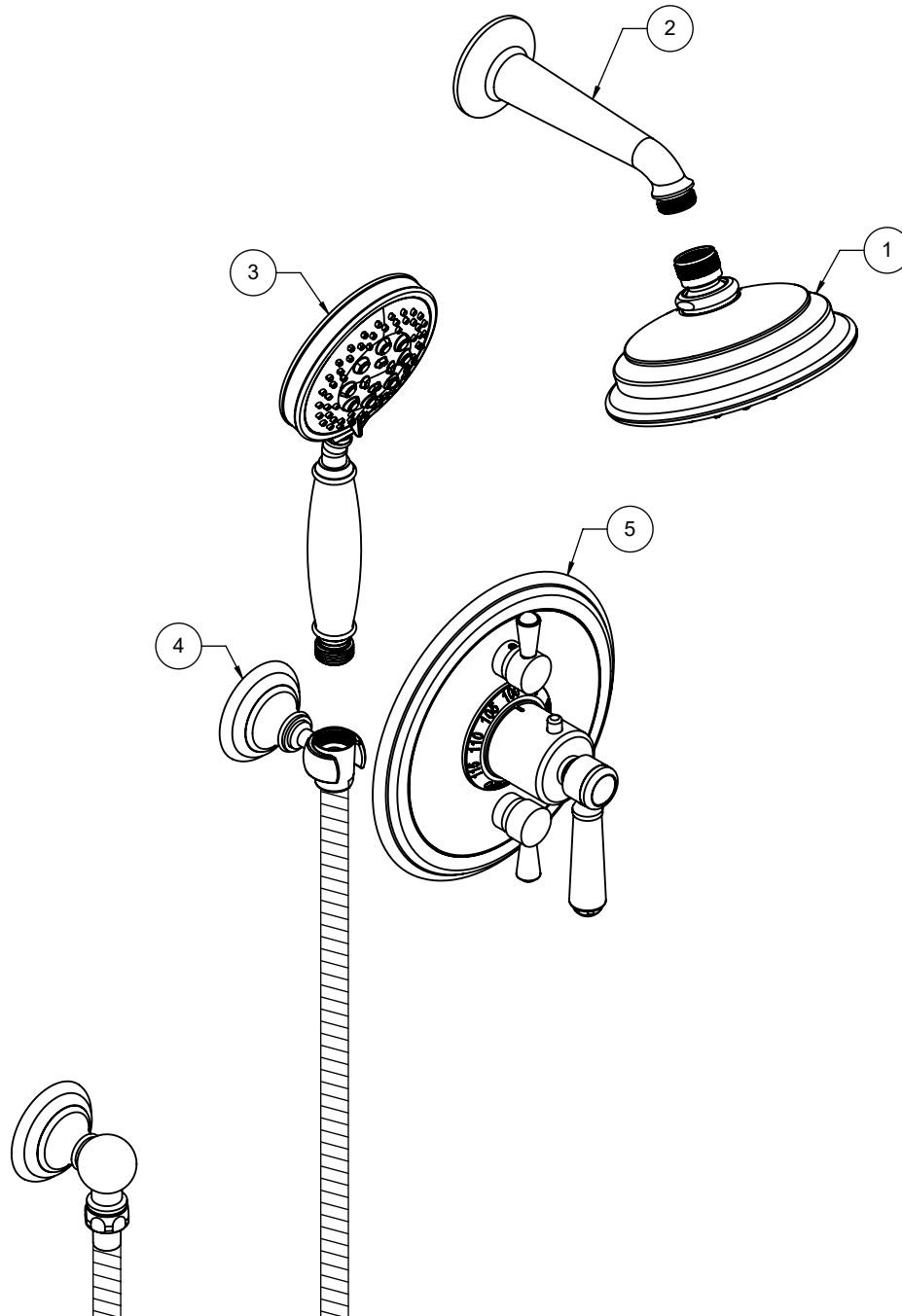
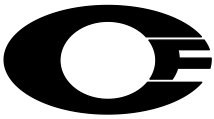




"ZZ" denotes finish, "FR" denotes flow rate

Item	Model	Description	Links
1	SH-073.FR-ZZ	5-5/8" Multi-Function Showerhead	<a href="#">Specification Sheet</a>
2	SH-01.6-ZZ	One Piece 6" Shower Arm & Flange	<a href="#">Specification Sheet</a>
3	HS-073.FR-ZZ	4-1/8" Brass Multi-Function Handshower	<a href="#">Specification Sheet</a>
4	9125-42-ZZ	Wall Mounted Handshower Kit	<a href="#">Specification Sheet</a>
5	TO-TH2L-33-ZZ	StyleTherm® Trim Only with Dual Volume Control	<a href="#">Specification Sheet</a>





California Faucets®

# SHOWERHEAD

5-5/8" MULTI-FUNCTION TRADITIONAL

## Features

- 1/2" FIP inlet
- 3 function: rain, air & massage
- Self-cleaning rubber jets
- Solid brass pivot ball & body
- 5-5/8" diameter, gray face
- Available in 28 finishes including 13 PVD finishes
- Replace .FR with desired max flow rate:  
SH-073.25 for 2.5 gpm  
SH-073.20 for 2.0 gpm  
SH-073.18 for 1.8 gpm

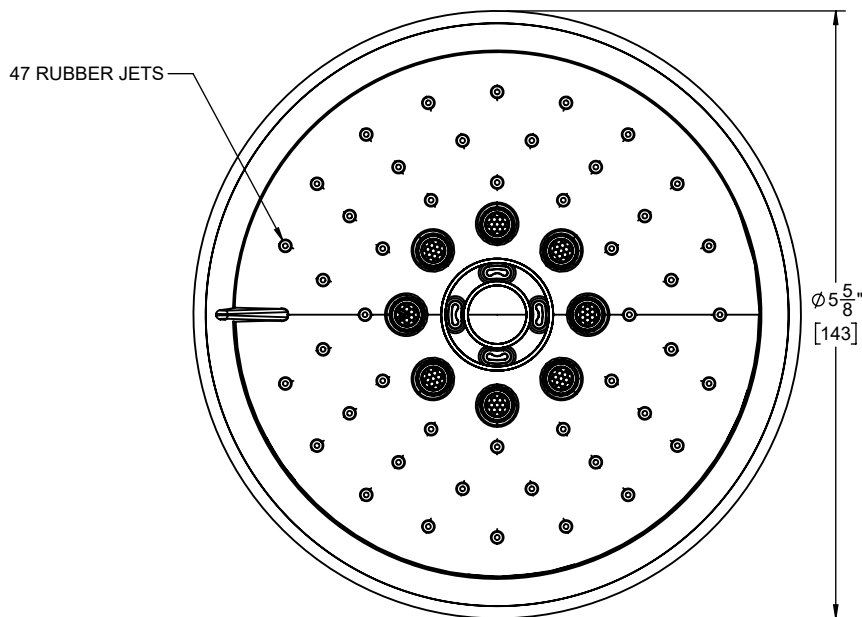
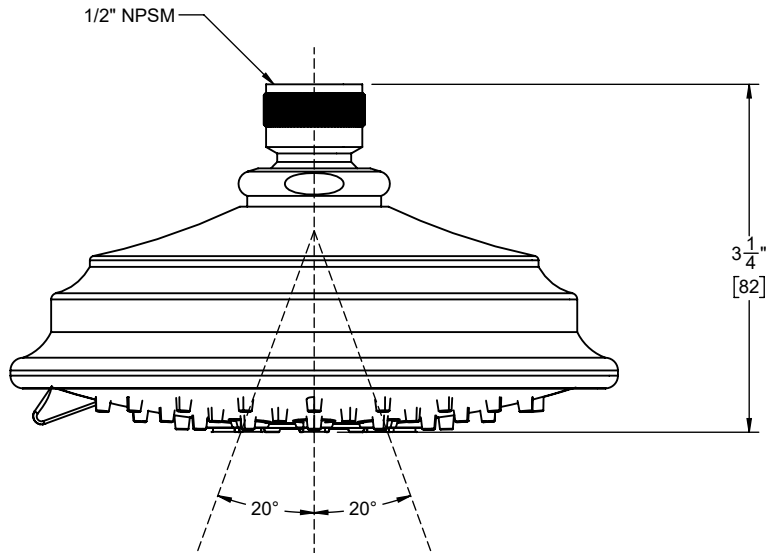
SH-073.25  
SH-073.20  
SH-073.18



## Codes/Standards

Product meets or exceeds the following:

- ASME A112.18.1/CSA B125.1
- CEC (1.8 gpm)
- DOE (2.5, 2.0, & 1.8 gpm)
- Commonwealth of MA
- EPA WaterSense Showerhead (2.0 gpm)



SPECIFICATION SUBJECT TO CHANGE WITHOUT NOTICE

DIMENSIONS SHOWN TO NEAREST 1/16"  
[DIMENSIONS SHOWN TO NEAREST 1MM]



California Faucets®

# Shower Arm

One Piece 6" Shower Arm & Flange

## Features

- Available in 28 finishes including 13 PVD finishes
- All brass construction

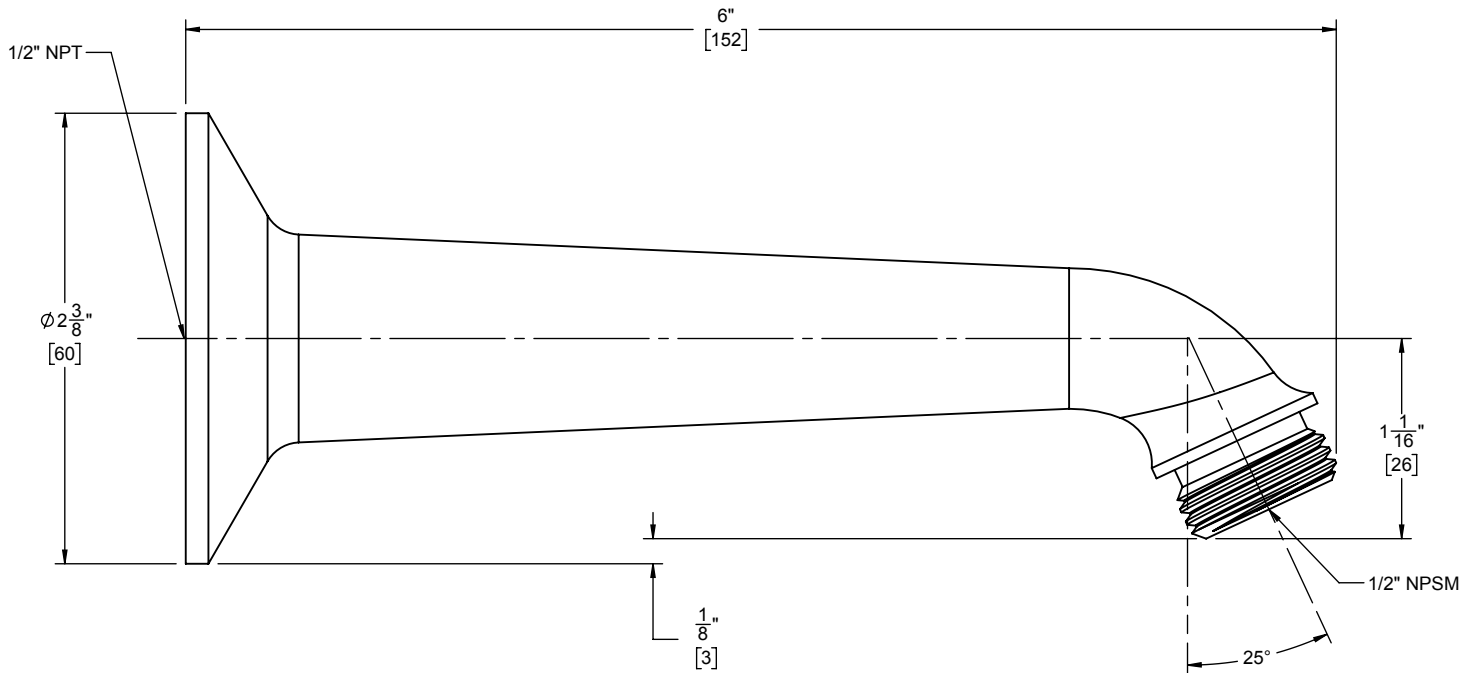
SH-01.6

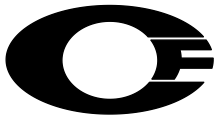


## Codes/Standards

Product meets or exceeds the following:

- ASME A112.18.1/CSA B125.1





California Faucets®

# Handshower

4-1/8" MULTI-FUNCTION TRADITIONAL HANDSHOWER

## Features

- 1/2" MIP inlet
- 3 function handshower: rain, air, & massage
- Self cleaning rubber jets
- Brass body
- 4-1/8" diameter, gray face
- Replace .FR with desired max flow rate:  
     HS-073.25 for 2.5 gpm  
     HS-073.20 for 2.0 gpm  
     HS-073.18 for 1.8 gpm
- Over 28 finishes including 13 PVD finishes

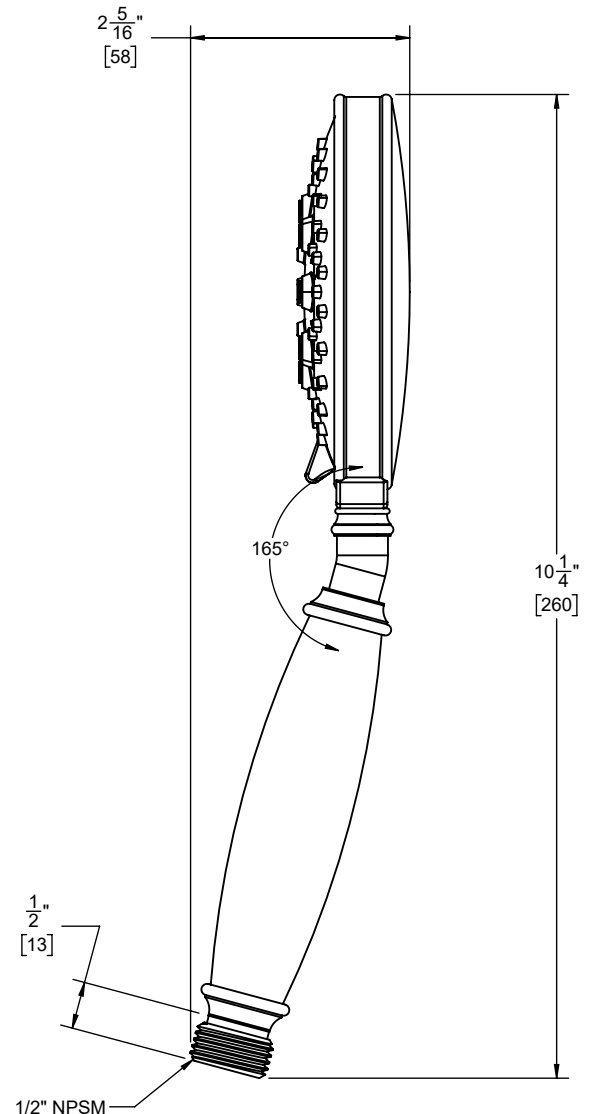
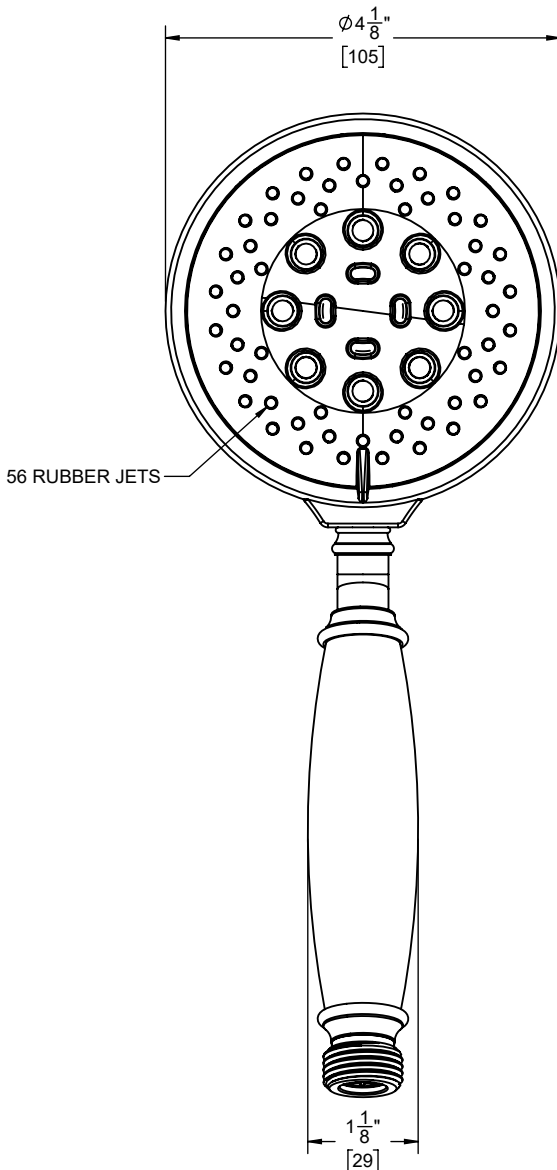
## Codes/Standards Applicable

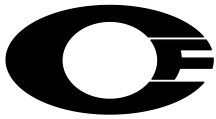
Product meets or exceeds the following:

- ASME A112.18.1/CSA B125.1
- CEC (1.8 gpm)
- DOE (1.8, 2.0, & 2.5 gpm)
- Commonwealth of MA
- EPA WaterSense (2.0 gpm)



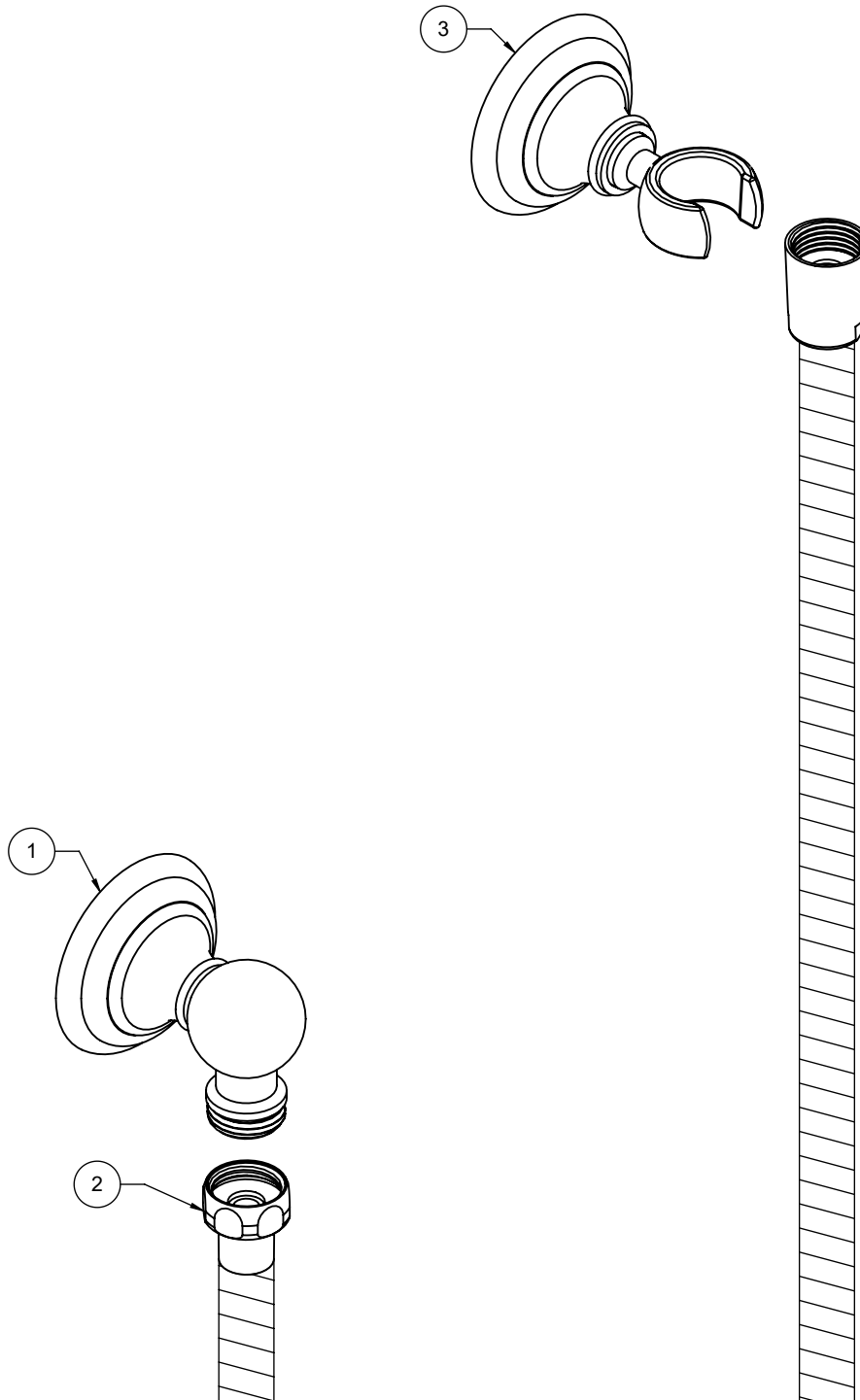
HS-073.18  
HS-073.20  
HS-073.25





"ZZ" denotes finish

Item	Model	Description	Links
1	SH-10-42-ZZ	Decorative Supply Elbow	<a href="#">Specification Sheet</a>
2	HS-68-ZZ	68" Brass Hose for Handshower	<a href="#">Specification Sheet</a>
3	SH-20-42-ZZ	Decorative Wall Bracket	<a href="#">Specification Sheet</a>





California Faucets®

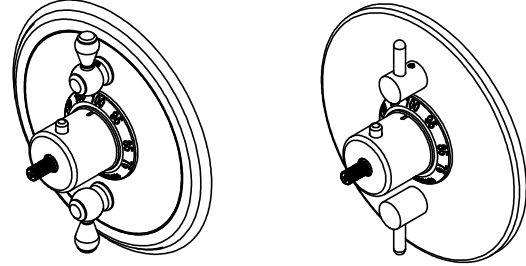
# StyleTherm®

## 1/2" Thermostatic Valve w/ Dual Volume Control Trim Only

### Features

- Over 30 finishes including 12 PVD finishes
  - All brass construction
  - Contemporary or traditional faceplate
  - Engraved brass temperature ring
  - 100°F safety stop button with manual override
  - Contemporary or traditional volume control handle
  - Tub spout flow rate: 10 gpm (37.9 L/m) max
  - Handles & tub spouts to match all California Faucets series
- See [www.calfaucets.com](http://www.calfaucets.com) for complete selection

### TO-TH2L-XX



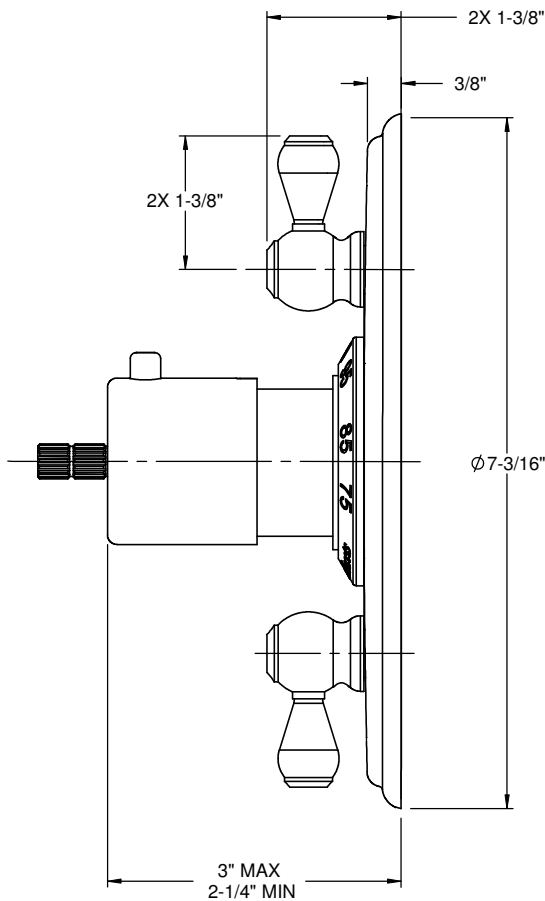
### Codes/Standards Applicable

Specified model meets or exceeds the following:

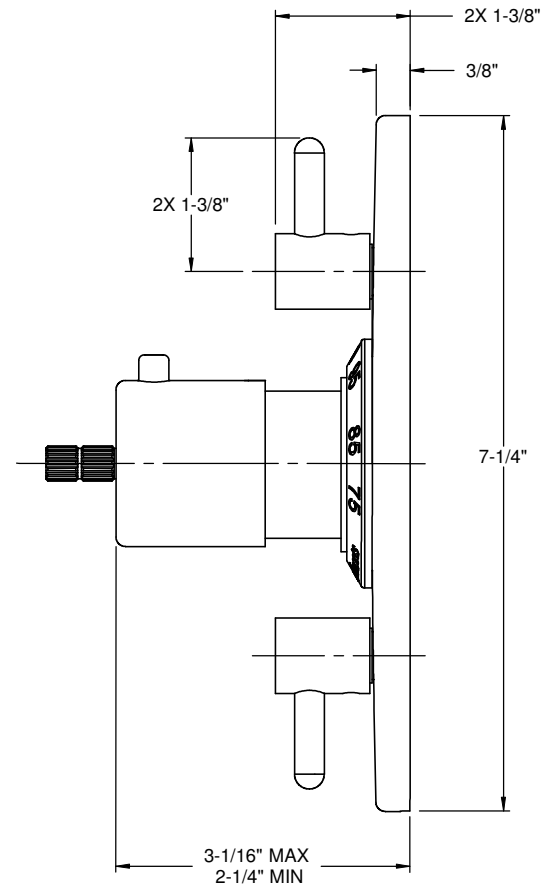
- ASME A112.18.1-2005/CSA B125.1-05
- ASSE 1016
- ADA (with lever handles)
- Listed IAPMO/UPC®

**XX = Series Handle & Tub Spout**

#### Traditional Faceplate



#### Contemporary Faceplate



FOR TUB SPOUT DIMENSIONS SEE WALL TUB SPOUT SPEC SHEETS

ALL DIMENSIONS SHOWN TO NEAREST 1/16"