



Features

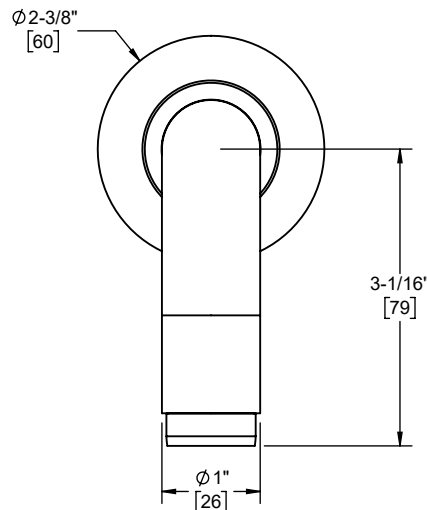
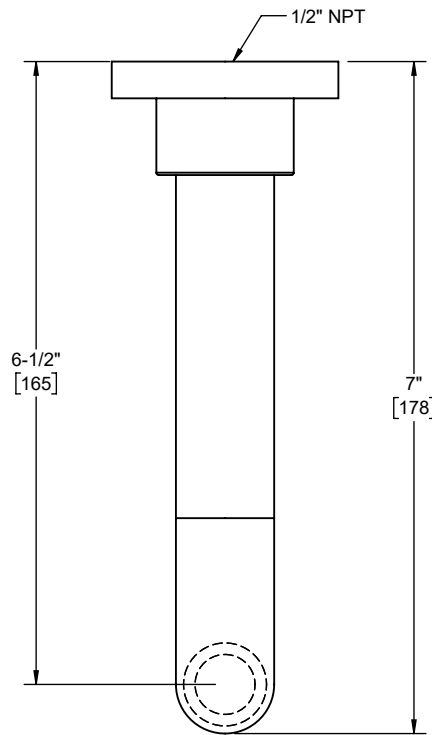
- Available in 28 finishes including 13 PVD finishes
- All brass construction
- 16 gpm (60.6 L/min) max flow rate at 60 psi
- For use with StyleTherm, 3-VR, or 2-VR valves



Codes/Standards Applicable

Product meets or exceeds the following:

- ASME A112.18.1/CSA B125.1



| Through-Hole Specifications | | |
|-----------------------------|-------------|-----------|
| Min | Recommended | Max |
| Ø 1" | Ø 1-1/4" | Ø 1-9/16" |
| [25] | [32] | [40] |

Dimensions are inches, rounded to 1/16"
[Dimensions in brackets are mm, rounded to 1mm]