

**PRODUCT SPECIFICATIONS**

Elkay Stainless Steel 14" x 16-1/2" x 42" 18 Gauge Hand Sink with Pedestal Base Foot Valve and Faucet. Sink is manufactured from 18 gauge Stainless Steel with a #4 Finish, Center drain placement.

<b>Material:</b>	Stainless Steel
<b>Finish:</b>	#4 Finish
<b>Gauge:</b>	18
<b>Weight Without Packaging:</b>	62
<b>Number of Bowls:</b>	1
<b>Sink Dimensions:</b>	14" x 16-1/2" x 42"
<b>Bowl 1 Dimensions:</b>	10" x 12" x 5"
<b>Backsplash Height:</b>	6
<b>Drain Size:</b>	1-1/2" (38mm)
<b>Drain Location:</b>	Center
<b>Mounting Hardware:</b>	Included

**Special Note:** Splash Mount, Goose Neck Faucet Included

<b>Custom Options</b>	
<b>Alternate Punching</b>	
<input type="checkbox"/> Faucet Model:	<input type="checkbox"/> Punch Required:

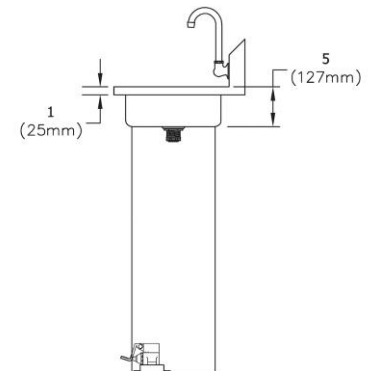
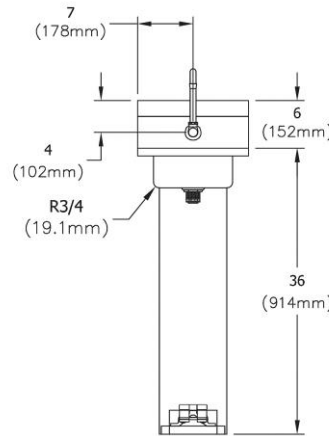
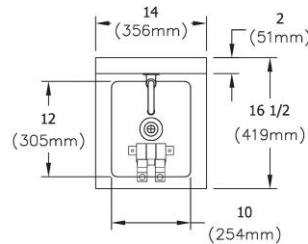
\*Options available if applicable



**Included with Product:** Pedestal base, foot valve, faucet, and strainer.

AMERICAN PRIDE. A LIFETIME TRADITION. Like your family, the Elkay family has values and traditions that endure. For almost a century, Elkay has been a family-owned and operated company, providing thousands of jobs that support our families and communities.

**Product Compliance:** ASME A112.19.3/CSA B45.4 NSF 2  
**Faucet:** ASME A112.18.1/CSA B125.1 NSF 372 (lead free) NSF 61  
**Accessory:** ASME A112.18.2/CSA B125.2



PART: \_\_\_\_\_ QTY: \_\_\_\_\_  
 PROJECT: \_\_\_\_\_  
 CONTACT: \_\_\_\_\_  
 DATE: \_\_\_\_\_  
 NOTES: \_\_\_\_\_  
 APPROVAL: \_\_\_\_\_

In keeping with our policy of continuing product improvement, Elkay reserves the right to change product specifications without notice. Please visit [elkay.com](http://elkay.com) for the most current version of Elkay product specification sheets. This specification describes an Elkay product with design, quality, and functional benefits to the user. When making a comparison of other producers' offerings, be certain these features are not overlooked.

*In keeping with our policy of continuing product improvement, Elkay reserves the right to change product specifications without notice. Please visit [elkay.com](http://elkay.com) for the most current version of Elkay product specification sheets. This specification describes an Elkay product with design, quality, and functional benefits to the user. When making a comparison of other producers' offerings, be certain these features are not overlooked.*