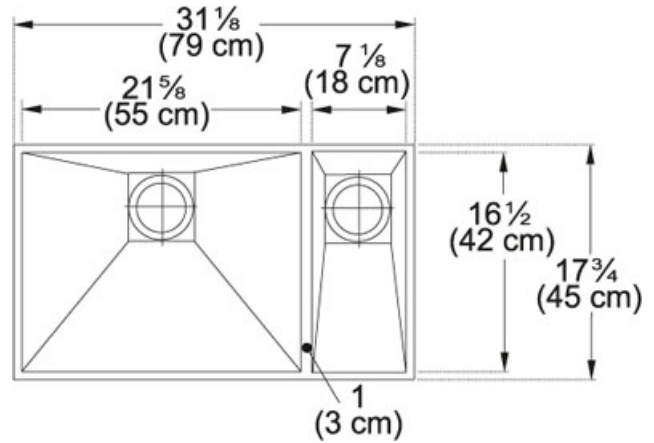


## Peak PKX160LH Stainless Steel | 122.0080.011

FAMILY : Sinks | SERIE : Peak | MODEL : PKX160LH | FINISH : Stainless Steel | INSTALLATION TYPE : Undermount | STYLE : Contemporary



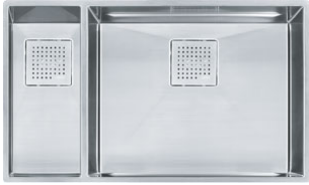
### TECHNICAL DATA

Minimum Cabinet Size	33"
Drain Opening	3 1/2"
Faucet Hole	None
Length overall	31 1/8"
Width overall	17 3/4"
Length of large bowl	21 5/8"
Width of large bowl	16 1/2"
Depth of large bowl	9 7/8"
Length of small bowl	7 1/8"
Width of small bowl	16 1/2"
Depth of small bowl	7 1/8"
Number of Bowls	2
Cutout Length	29 3/4"
Cutout Width	16 9/16"
Type of Material	16-GA-STAINLESS-STEEL
Cut-Out Template	Yes
Installation Clips	Yes
Franke Integral Ledge	BUILT-IN
Where to buy	Showroom
Where to buy	Showroom

# Peak PKX160LH Stainless Steel | 122.0080.011

FAMILY : Sinks | SERIE : Peak | MODEL : PKX160LH | FINISH : Stainless Steel | INSTALLATION TYPE : Undermount | STYLE : Contemporary

## RELATED PARTS



122.0074.965

112.0074.976

122.0074.951

122.0074.944



122.0074.938

122.0074.956

122.0192.590

122.0074.954

## RECOMMENDED



115.0298.341

119.0355.521

119.0068.283

134.0297.202



---

133.0171.120

---

119.0066.616