

10" Rough-in

**Features:**

**□ UL-20-317**

- Vitreous China
- High Efficiency 1.0 GPF (3.8 LPF)
- 17" Tall, ErgoHeight™ ADA Elongated Bowl
- 10" Rough-In
- Pressure Vessel Inside
- Dual fed siphon jets
- Fully glazed, 2" trapway
- Non-Sweating insulated tank
- Chrome, Metal Front Tank Lever
- 2 Color Matched Bolt Caps Included
- Toilet seat not included



**Technical Information:**

**Included Components:**

- Combination      UL-20-317
- Bowl              UF-21-377
- Tank                UF-28-385

**Other Tank Options:** (bowl to be purchased separately)

N/A

**Fixtures:**

Configuration	Two-piece, ErgoHeight, ADA Elongated Toilet
Water per Flush	1.0 gpf (3.8 lpf)
Rough-In	10"
Height	30 7/8"
Width	20 1/16"
Depth	27 7/16"
Trapway	2"
Large Water Surface	8 11/16" x 6 5/16"
Product Weight	89.7 lbs

**Accessories:** (to be purchased separately)

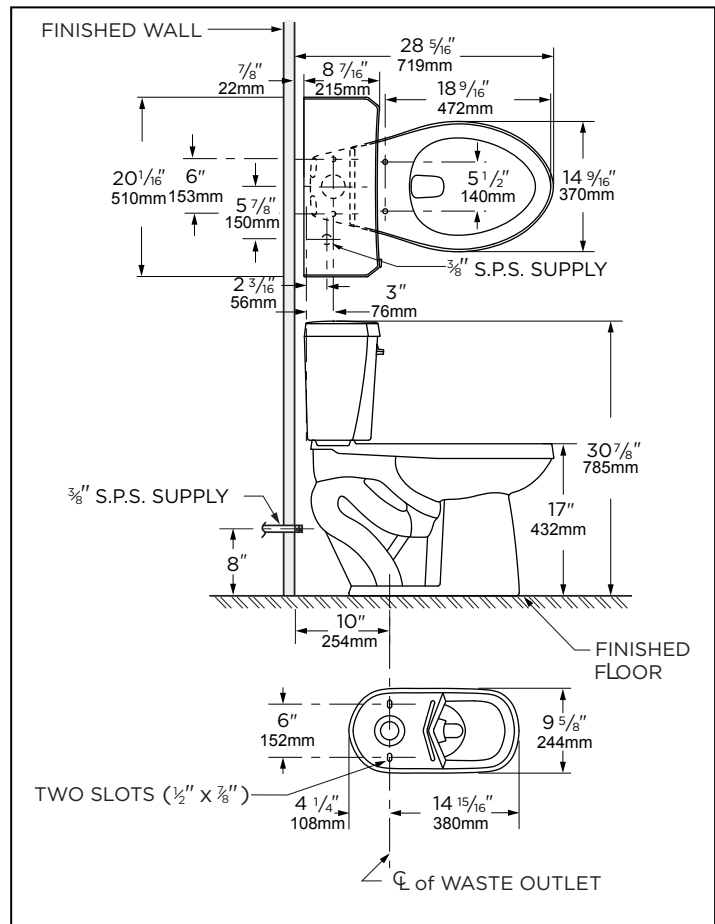
Soft Closed Toilet Seat	99-213
-------------------------	--------

**Colors:**

- White
- Other: Refer to Price Book for additional colors

**Warranty:**

- Limited Lifetime Warranty - see website for detailed warranty information



**NOTES:** All dimensions are in inches and millimeters. Illustrations may not be drawn to scale.

**IMPORTANT:**

Dimensions of fixtures are nominal and may vary within the range of tolerances established by ASME standard A 112.19.2 THIS FIXTURE QUALIFIES ACCORDING TO ASME TEST PROCEDURES AS A HIGH-EFFICIENCY WATER CLOSET WITH AN AVERAGE CONSUMPTION OF 1.0 gpf (3.8 Lpf) OR LESS.