

BATHROOM
Finezza DUE Roman Tub Set
G-6853-C15B

GRAFF®

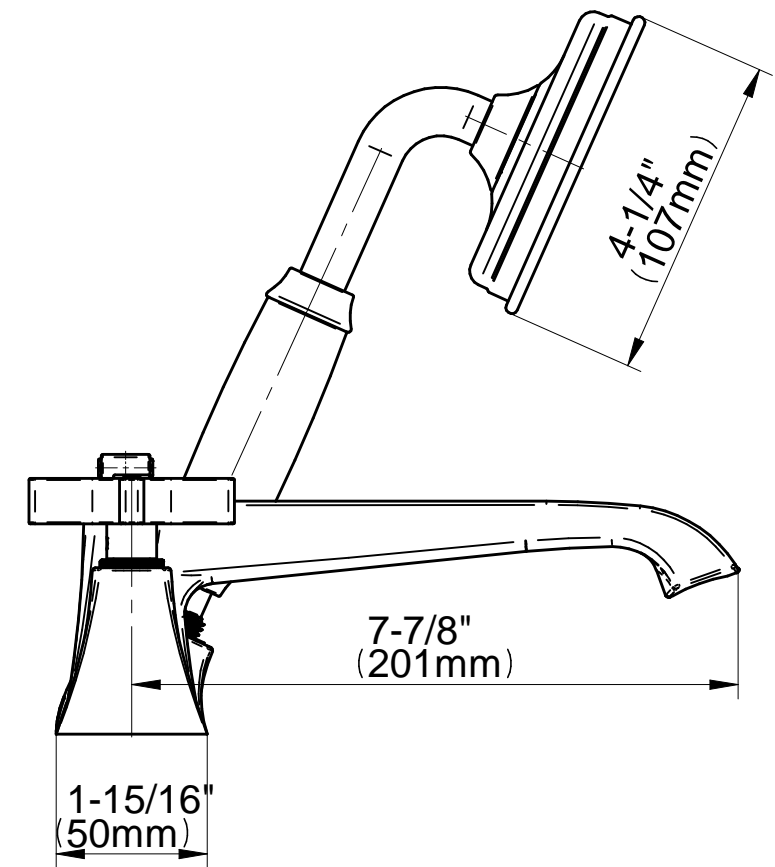
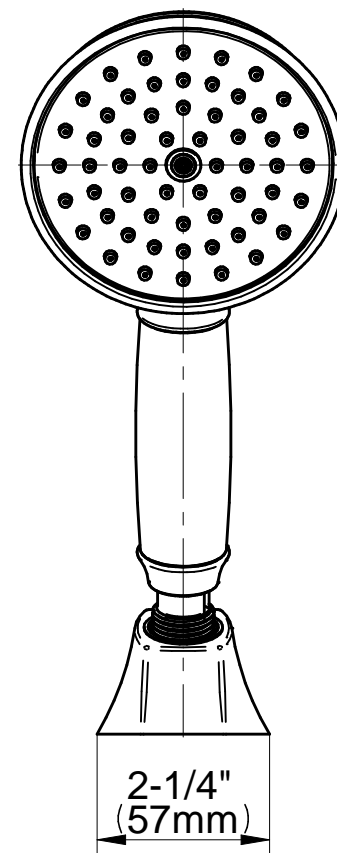
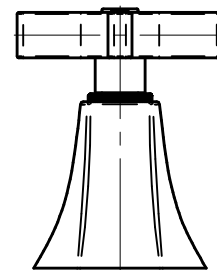
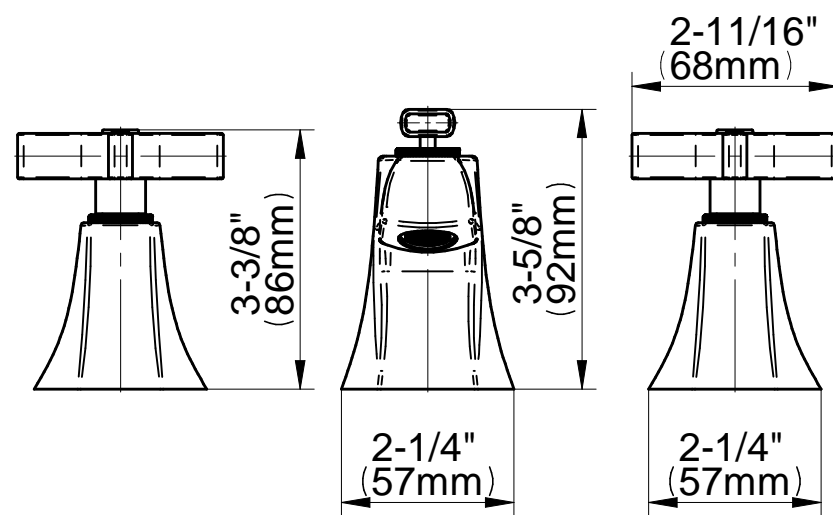


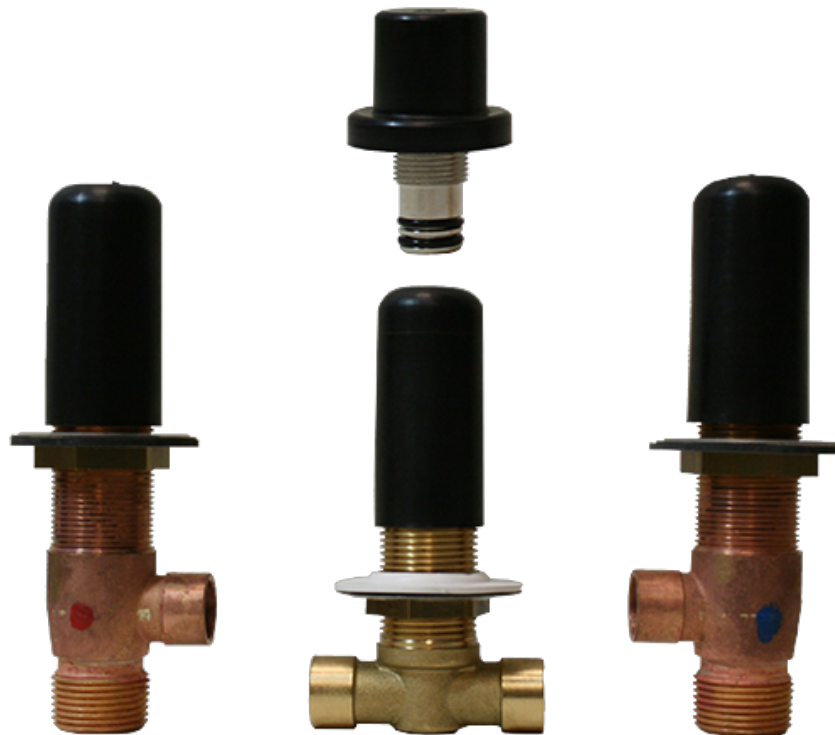
Information

- Aerated flow rate ~7 gpm @45 psi
- Deck-mounted handshower and diverter set included
- Optional in-line pressure balancing valve
- ADA

G-6853-C15B-T

FINEZZA DUE Series

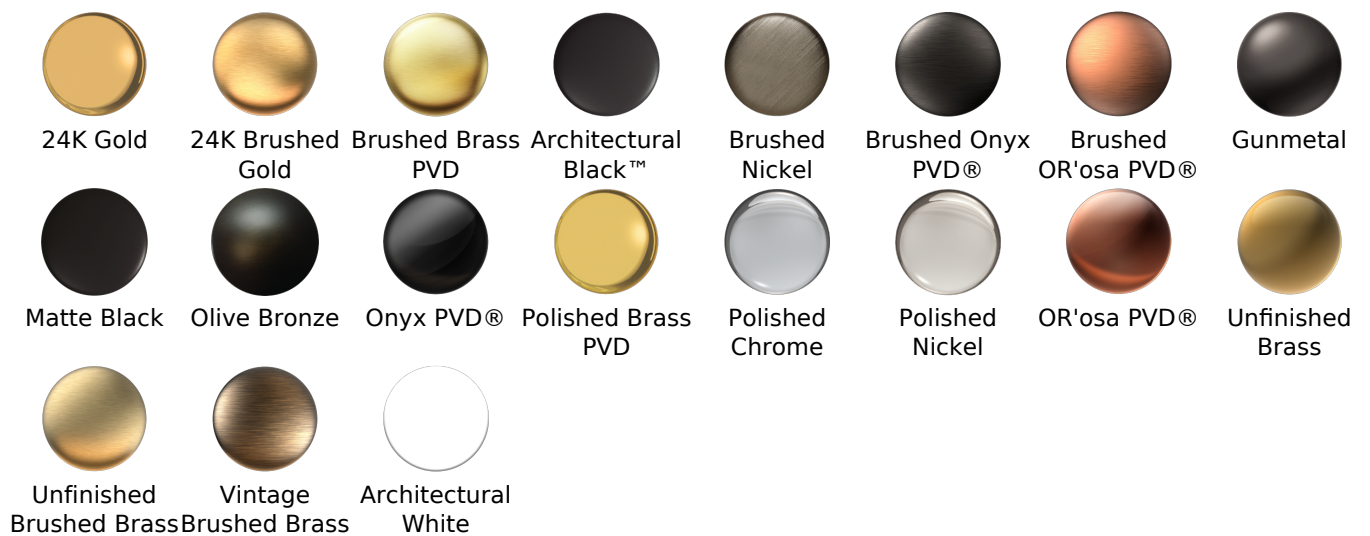




Information

- 3/4" male NPT inlets
- Quick connect tub spout

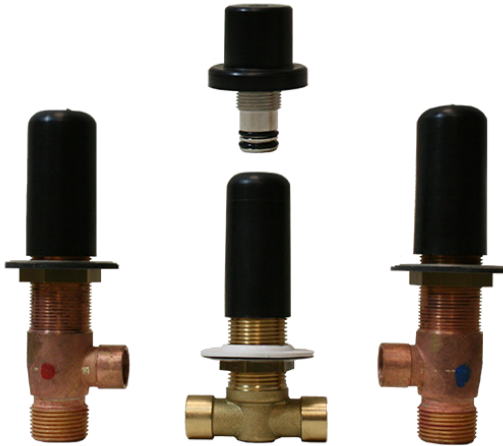
Finishes



G-1037
Rough Valve

Product Features

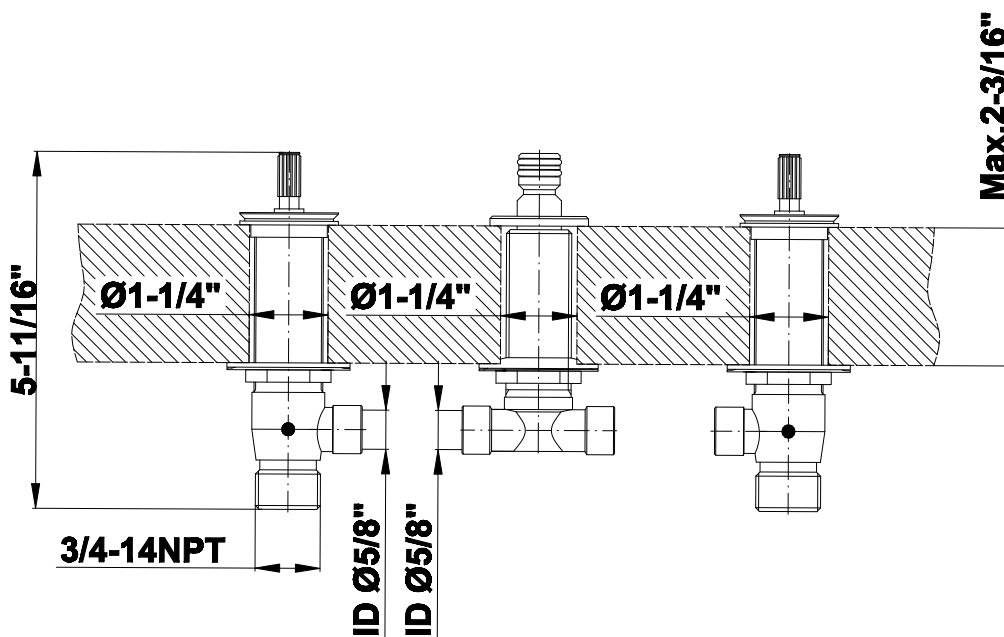
- 3/4" male NPT inlets
- Quick connect tub spout



Warranty

- Limited lifetime warranty

For complete warranty information go to: www.graff-faucets.com/en/info/faqs

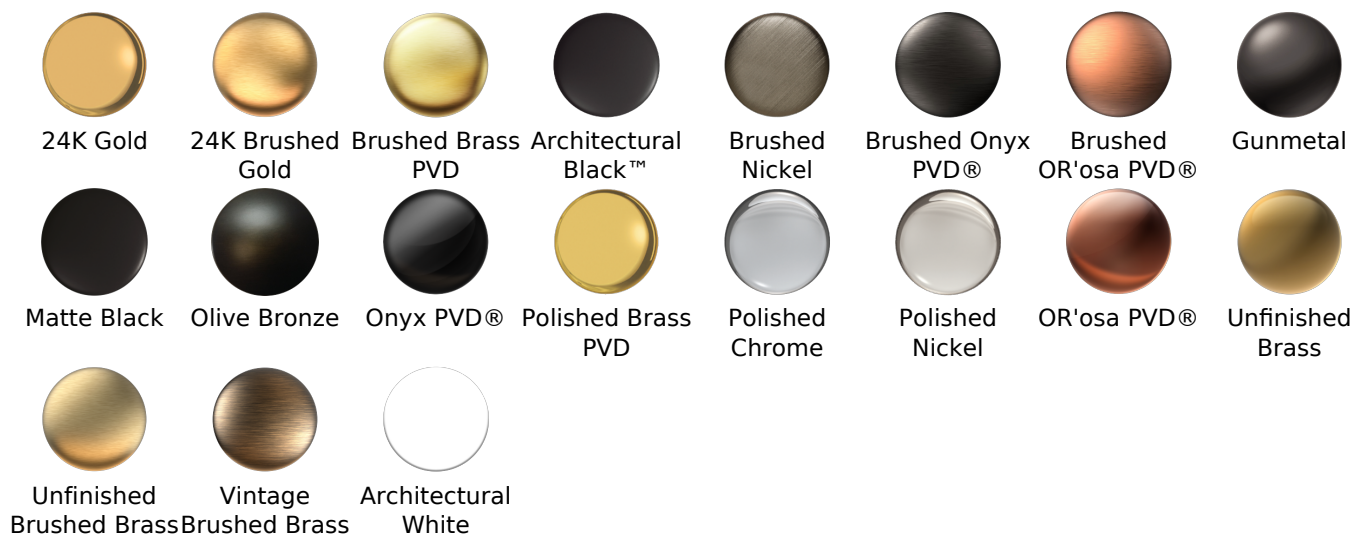




Information

- Durable diverter valve

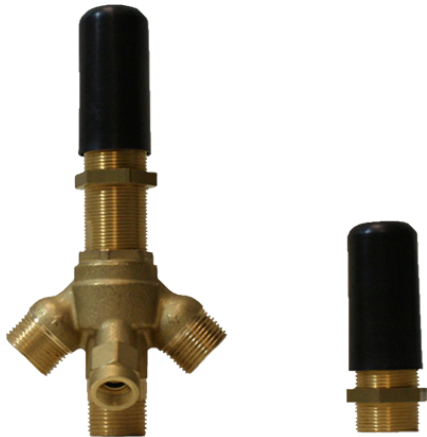
Finishes



G-1057
Rough Valve

Product Features

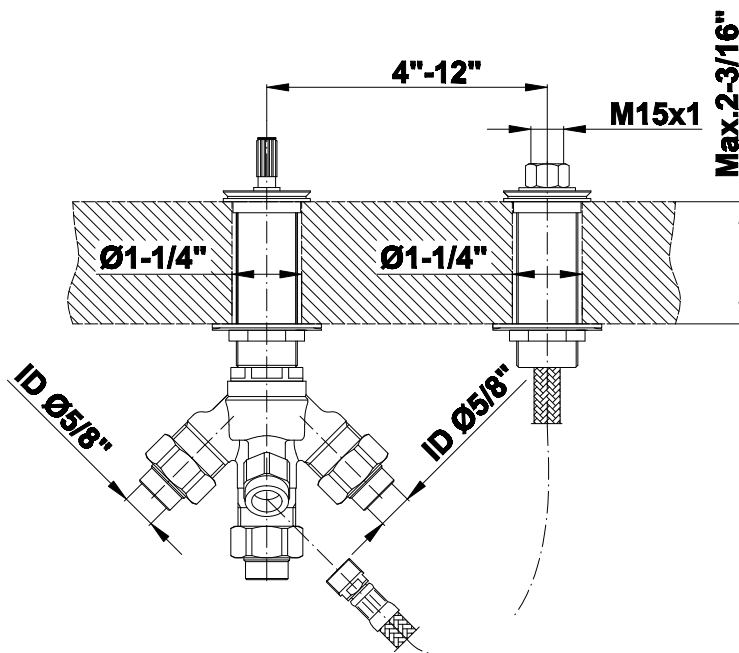
- Durable diverter valve



Warranty

- Limited lifetime warranty

For complete warranty information go to: www.graff-faucets.com/en/info/faqs

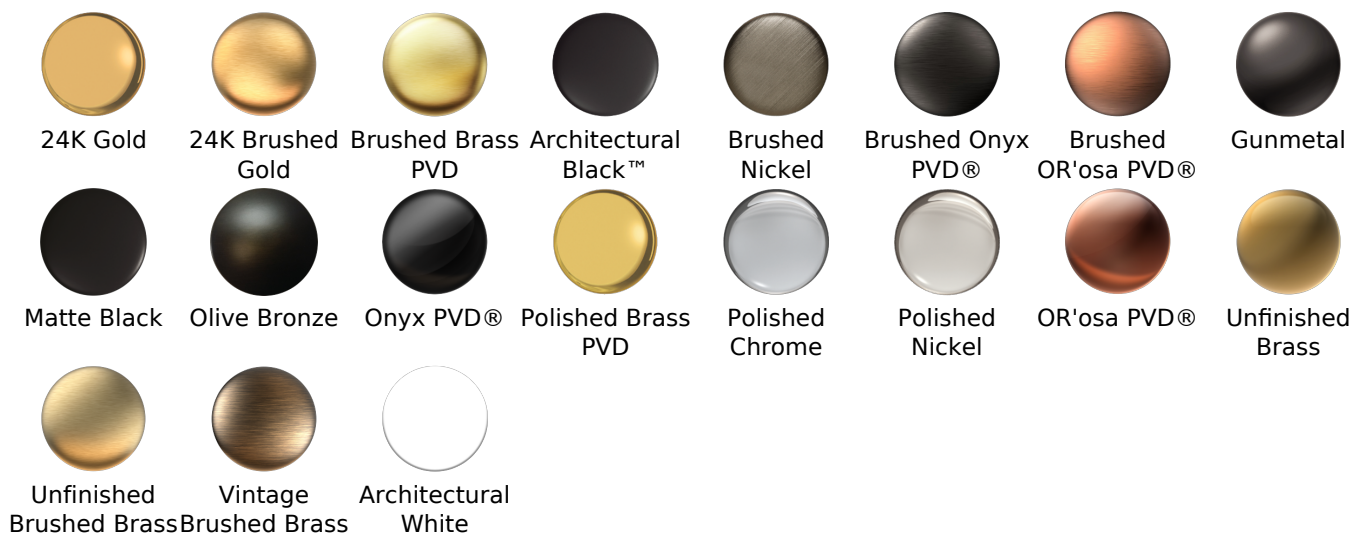




Information

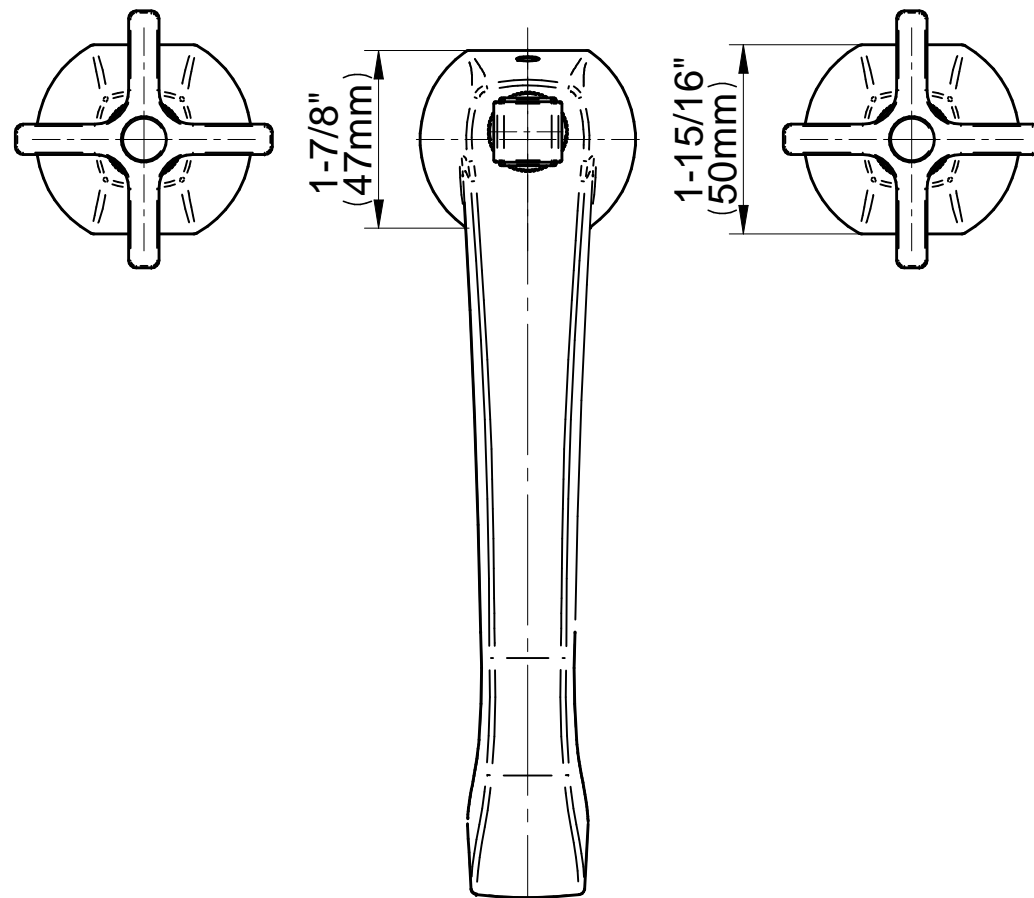
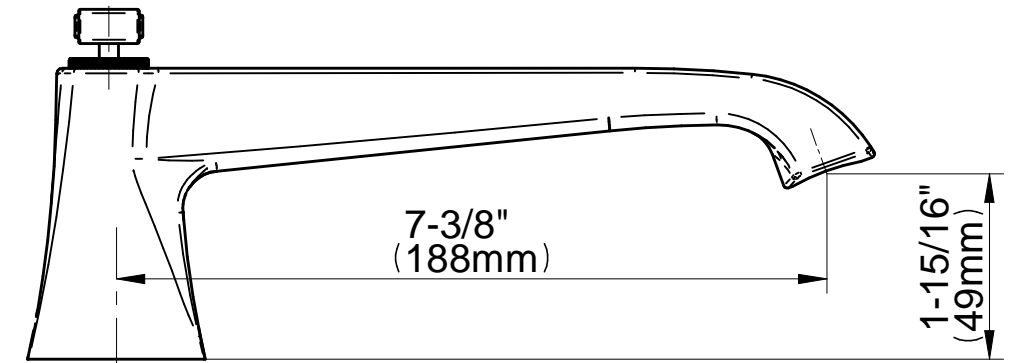
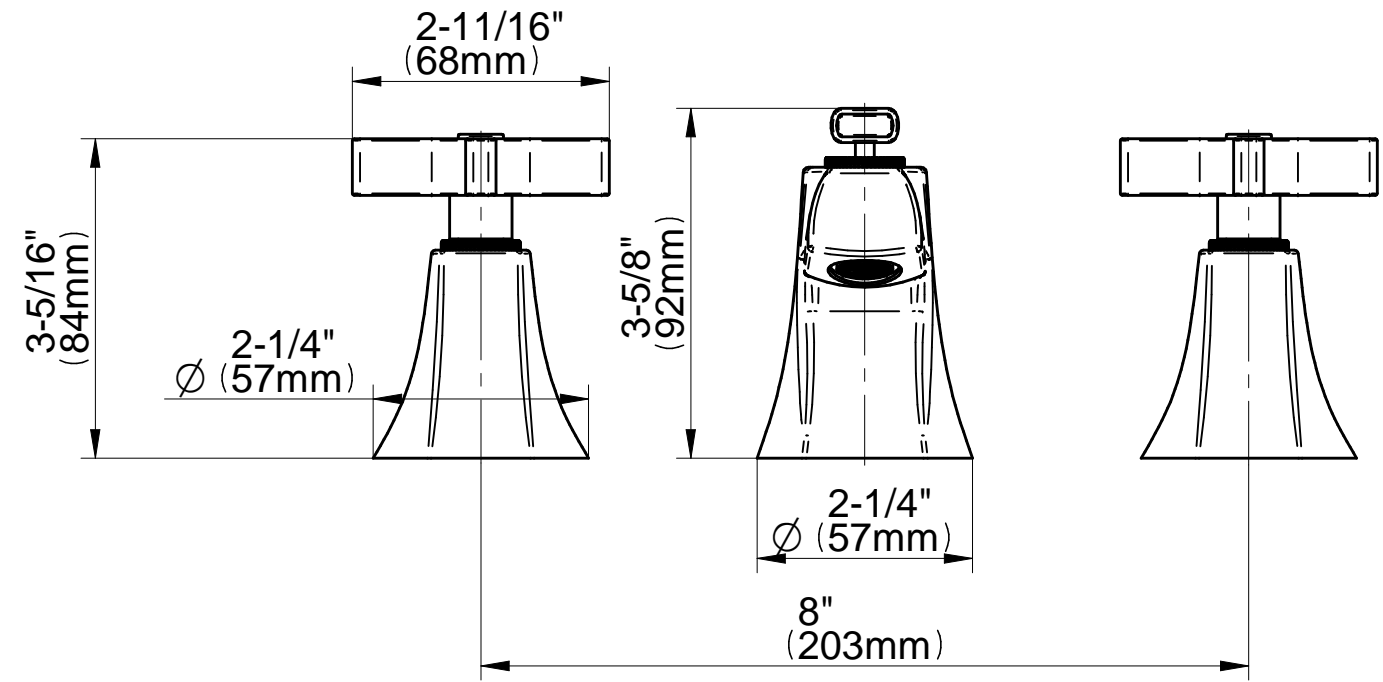
- Aerated flow rate ~7 gpm @45 psi
- Matching deck-mounted handshower & diverter set available

Finishes



G-6852-C15B-T

FINEZZA DUE Series



BATHROOM
 Finezza DUE Deck-Mounted
 Handshower & Diverter Set
G-6856-C15B



Information

- Matches G-6852-C15B Roman tub set
- Handshower hose included

Finishes



G-6856-C15B

Finezza DUE Collection

Deck-Mounted Handshower & Diverter Set



Product Features

- Matches G-6852-C15B Roman tub set
- Handshower hose included

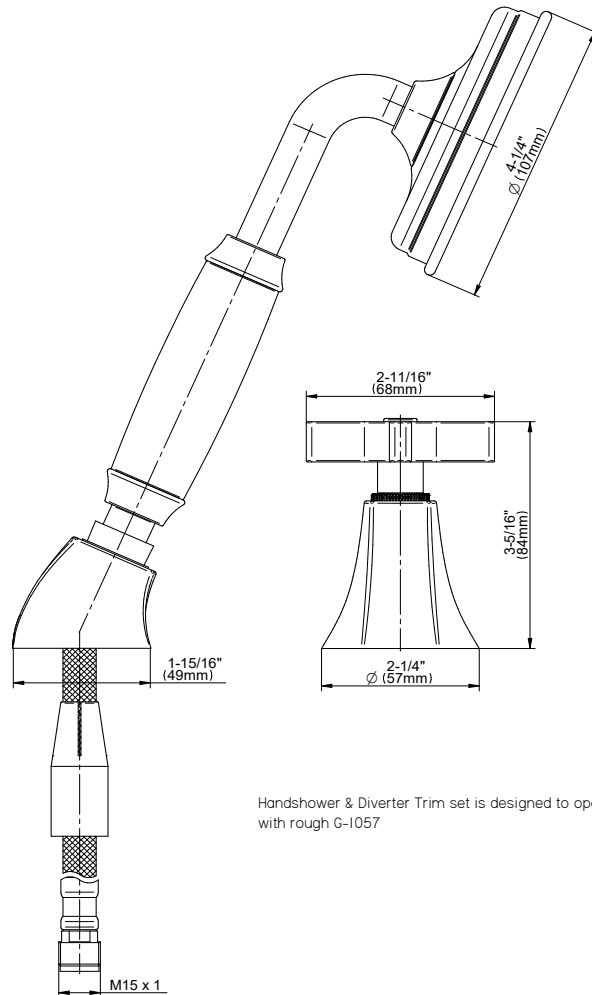
Warranty

- Limited lifetime warranty

For complete warranty information go to: www.graff-faucets.com/en/info/faqs

Available Finishes

- Polished Chrome
G-6856-C15B-PC
- Brushed Nickel
G-6856-C15B-BNi
- Polished Nickel
G-6856-C15B-PN
- Olive Bronze™
G-6856-C15B-OB



Handshower & Diverter Trim set is designed to operate with rough G-1057

The measurements shown are for reference only. Products and specifications shown are subject to change without notice. Revised 01/2017

www.graff-faucets.com | phone: 800-954-4723