

Chroma Pendant

CHR

Project Name _____

Fixture Type _____

Quantity _____

Norwell | Lighting

ILEX

Custom Metalcraft



Chroma Pendant
CHR-BC-MB-MA

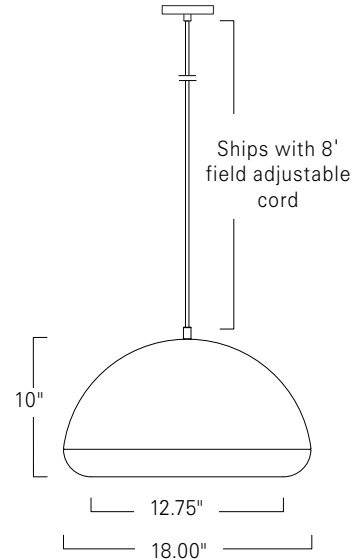


Chroma Pendant
CHR-WC-MW-MA



Chroma Pendant
CHR-WC-PA-MA

CHR



Chroma Pendant
CHR-BC-SH-MA



Chroma Wall Mount
CHRW-WM-PA-MA



Chroma Tilt Pendant
CHRT-SS-ABPC-MA



Chroma Tripod with White Shade
CHRTWS-Mahogany Wood-WS



Chroma Tripod
CHRTR-Mahogany Wood

Product Name / Dimensions			Mounting Options	Diffuser Options	Finish Options	Lamping Options
Chroma / CHR			Standard Black Cord / BC White Cord / WC	Standard Matte Acrylic / MA	Standard Polished Aluminum / PA Brushed Aluminum / BA Matte Black Powder Coat / MB Matte White Powder Coat / MW Shiny Red Powder Coat / SR	Standard Incandescent / IN (1) 75 W max medium base Edison Optional LED 26W / LED 2000 lm, 3000K CCT 0-10VDC 1% dimming
Height	Width	Overall Height				
10"	18"	Ships with 8' field adjustable cord				
Canopy 0" finishes matches selected finish						

Dry Location Rated and UL/ETL Listed

REV-4-2020

DISCLAIMER:

Norwell Lighting and its companies, ILEX Architectural Lighting and Custom Metalcraft reserve the right to change specifications related to its product at anytime. USA Made indicates product is manufactured in East Taunton, Massachusetts facility. Phone: 508-823-1751