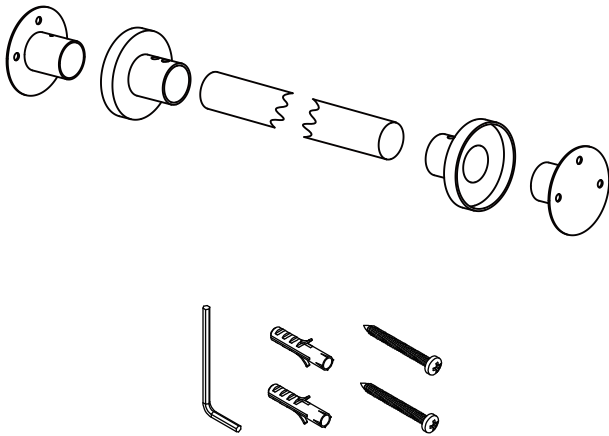


SHOWER RODS

ROUND SHOWER ROD

5'/60" KSRZ-RD-5

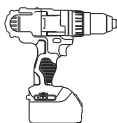
6'/72" KSRZ-RD-6



Tools required for installation



Level



Drill



Pencil



Screwdriver



Hammer

Step 1

Position one side back plate against the wall and mark outline with pencil.

Step 2

Pre-drill 3/16" holes on the wall to fit wall plugs, fix the plate onto the wall, make sure the post hole on the top.

Step 3

Install the other plate onto the wall, and slid two backings into the plate, make sure the 2 holes on the top.

Step 4

Tighten the 2 set screws each side using Allen key provided, 1 screw is to fix the tube, another screw is to fix the plate.