

## MUNICH COLLECTION DOUBLE TISSUE HOLDER 288155

**PRODUCT NAME:** DOUBLE TISSUE HOLDER

**PRODUCT CODE:** 288155

**MATERIAL:** All-brass construction

**KEY FEATURES:** Contemporary design.  
Strong rectangular shapes,  
balanced by slender linear lines.

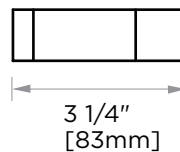
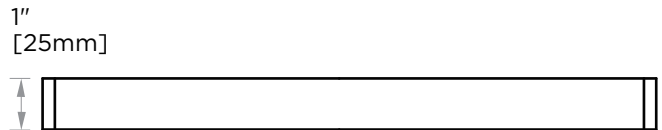
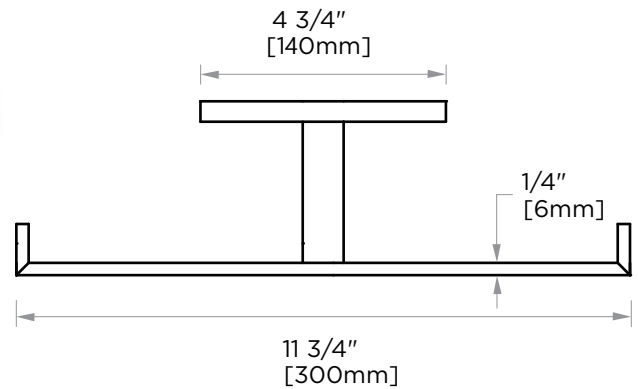
**STOCKED FINISHES:**

- Polished Chrome (99)
- Brushed Nickel (81)
- Polished Nickel (68)
- Matte Black (48)

**SPECIAL FINISHES AVAILABLE:** 26 options available.  
Please see our website for  
full list samples

**WARRANTY:**

Lifetime Limited (Residential Use)  
One Year (Commercial Use)



NOTE: Dimensions and specifications are subject to change without notice.