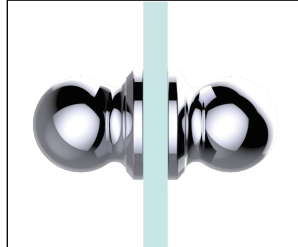


### Mounting Options



## FLORENCE COLLECTION DOUBLE SDH KNOB 3227502

**PRODUCT NAME:** DOUBLE SDH KNOB

**PRODUCT CODE:** 3227502

**MATERIAL:** All-brass construction

**KEY FEATURES:** Traditional design.  
Round and elegant style.

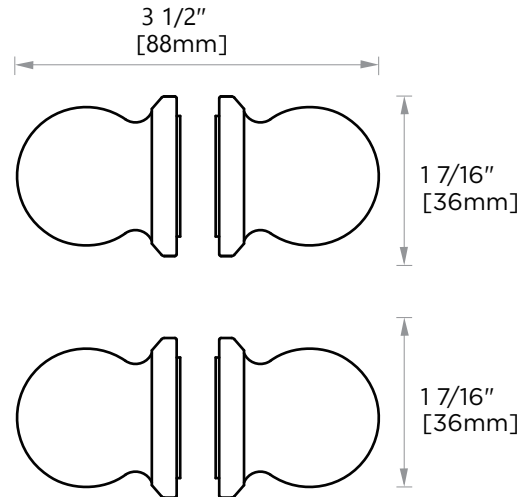
**STOCKED FINISHES:**

- Polished Chrome (99)
- Brushed Nickel (81)
- Polished Nickel (68)

**SPECIAL FINISHES AVAILABLE:** 26 options available.  
Please see our website for full list samples

### WARRANTY:

Lifetime Limited (Residential Use)  
One Year (Commercial Use)



NOTE: Dimensions and specifications are subject to change without notice.