

## KUBISTA Body Spray Item #1470

### Features:

- Wall-mount tilting square body spray with escutcheon
- Fixed jet
- Brass construction with rubber nozzles
- Weight: 1.1 lbs.
- Recommended max. water pressure 43.5 PSI
- Meets and exceeds the following standards/codes:
  - ASME A112.18.1-2012/CSA B125.1-12
  - CMR 248 (Mass. Code of Approval)
- Freight class 1 based on the Lacava Freight Program



### Recommended Accessories:

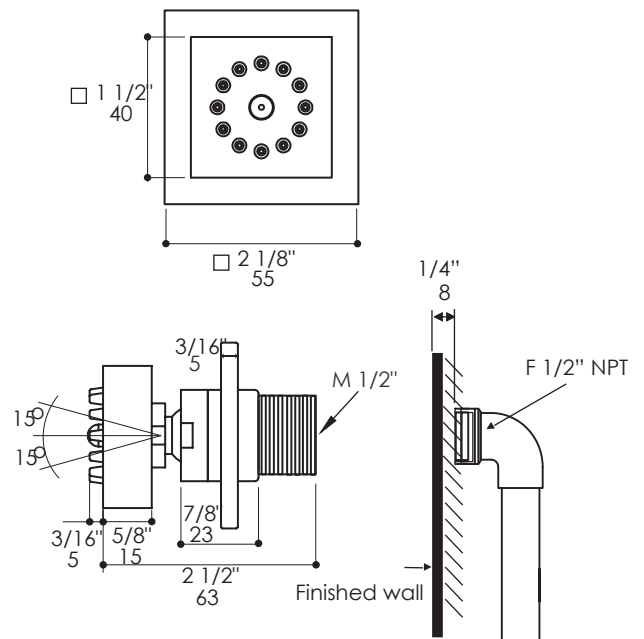
- Item #1440: Built-in single-lever pressure balancing mixer with round escutcheon

### Finish Options:

- CR - Polished Chrome
- NI - Brushed Nickel



### Product Specifications:



### Notes:

Drawings provided herein are meant to give the user an idea of the product and are not made to scale. The size in inches is rounded up to the nearest 1/16".

LACAVA is committed to the highest level of customer service. Please feel free to contact us at 1-888-522-2823 (toll free) or by email at [info@lacava.com](mailto:info@lacava.com) for technical assistance or any general inquiries.

Rev. 05-17-2017