

## Specifications:

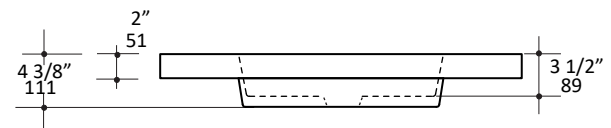
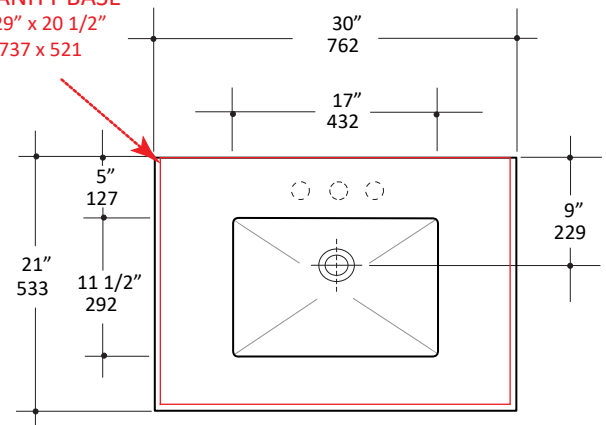
<b>Installation:</b>	Vanity-top
<b>Interior Dimensions:</b>	17" w x 11 1/2" d x 3 1/2" h
<b>Exterior Dimensions:</b>	30" w x 21" d x 4 3/8" h
<b>Material:</b>	Concrete
<b>Weight:</b>	64 lbs
<b>Overflow:</b>	No
<b>Finishes:</b>	TER - Terracotta SLT - Slate CHL - Charcoal SND - Sand
<b>Faucet Holes:</b>	00 - no hole 01 - one centered hole 02 - two hole - center and right, 4" spread 03 - three hole, 8" spread
<b>Vanity Base Size:</b>	29" x 20 1/2" (template available upon request)
<b>Faucet Hole Size:</b>	Ø 1 3/8"
<b>Drain Hole Size:</b>	Ø 1 3/4"



## Features:

- Concrete sink without overflow
- Most standard American drains can also be used
- Current cut-out template can be requested
- Size can be customizable upon request (conditions apply)
- Vanity bases should allow for a 1/2" overhang on front and both sides to compensate for dimensional variations of the sink top.

**VANITY BASE**  
29" x 20 1/2"  
737 x 521



## Codes + Standards:

- Meets and exceeds applicable national codes and standards

**ADA** compliant when installed to specific requirements of this regulation

## Recommended Items:

- Drain options
  - 7100-13
  - 7100-15
  - 7100-18

## Care + Maintenance:

- Due to the nature of concrete material, please do not overtighten the drain and other hardware as it may cause the sink to chip or crack

[Click Here](#) to find out more about proper care and maintenance of concrete

LACAVA reserves the right to revise any dimension or information on this sheet without notice. Dimensions are nominal and may vary within an industry accepted tolerance of 1/4". Drawings provided herein are meant to give the user an idea of the product and are not made to scale.

Revised: 02/15/2021