

FUNNEL

5386

Project Name _____

Fixture Type _____

Quantity _____

Norwell | Lighting

ILEX

Custom Metalcraft

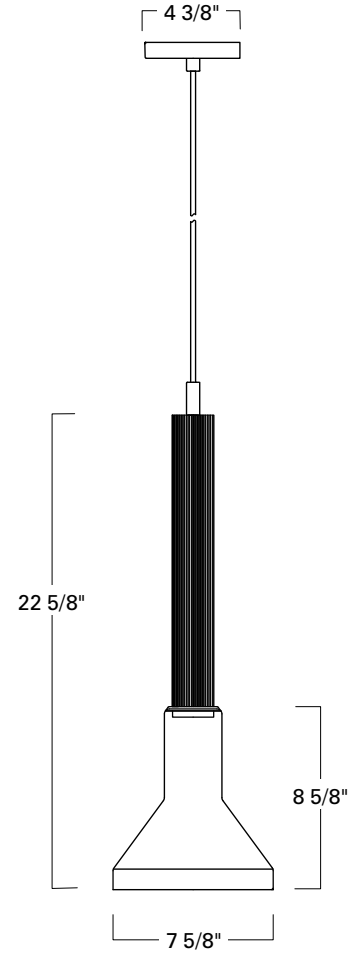


5386-SB-CL



5386-PN-CL

5386



| Product Name / Model / Dimensions | | | | Finish Options | Diffuser | Lamping Options |
|-----------------------------------|-----------------|--------|-----------------------------|--|--|--|
| FUNNEL - 5386 | | | | Standard Satin Brass / SB Polished Nickel / PN | Standard Clear Glass / CL 7 5/8" W X 8 5/8"H | Standard 1- 60 Watt Medium Base T-10 Style Recommended |
| | Height | Width | Overall Height | | | |
| 5386 | 22 5/8" body | 7 5/8" | Ships with 6' black cord | | | |
| Canopy 4 3/8" | | | | | | |

Damp Location and Rated UL/ETL Listed

REV-4-2020

DISCLAIMER:

Norwell Lighting and its companies, ILEX Architectural Lighting and Custom Metalcraft reserve the right to change specifications related to its product at anytime. USA Made indicates product is manufactured in East Taunton, Massachusetts facility. Phone: 508-823-1751