

# NuTone®

IN U.S.A., REGISTER  
YOUR PRODUCT ON LINE AT:  
WWW.NUTONE.COM

IN CANADA, REGISTER  
YOUR PRODUCT ON LINE AT:  
WWW.NUTONE.CA

## AR1 SERIES 4-WAY CONVERTIBLE RANGE HOOD



### READ AND SAVE THESE INSTRUCTIONS

⚠ INTENDED FOR DOMESTIC COOKING ONLY. ⚠

#### WARNING ⚠ ⚠

TO REDUCE THE RISK OF FIRE, ELECTRIC SHOCK OR INJURY TO PERSONS, OBSERVE THE FOLLOWING:

1. Use this unit only in the manner intended by the manufacturer. If you have questions, contact the manufacturer at the address or telephone number listed in the warranty.
2. Before servicing or cleaning unit, switch power off at service panel and lock service disconnecting means to prevent power from being switched on accidentally. When the service disconnecting means cannot be locked, securely fasten a prominent warning device, such as a tag, to the service panel.
3. Installation work and electrical wiring must be done by qualified personnel in accordance with all applicable codes and standards, including fire-rated construction codes and standards.
4. Sufficient air is needed for proper combustion and exhausting of gases through the flue (chimney) of fuel burning equipment to prevent backdrafting. Follow the heating equipment manufacturer's guidelines and safety standards such as those published by the National Fire Protection Association (NFPA) and the American Society for Heating, Refrigeration and Air Conditioning Engineers (ASHRAE) and the local code authorities.
5. When cutting or drilling into wall or ceiling, do not damage electrical wiring and other hidden utilities.
6. Ducted fans must always be vented to the outdoors.
7. Do not use this unit with any additional solid-state speed control device.
8. To reduce the risk of fire, use only metal ductwork.
9. This unit must be grounded.
10. When applicable local regulations comprise more restrictive installation and/or certification requirements, the aforementioned requirements prevail on those of this document and the installer agrees to conform to these at his own expense.

#### TO REDUCE THE RISK OF A RANGE TOP GREASE FIRE:

- a) Never leave surface units unattended at high settings. Boilovers cause smoking and greasy spillovers that may ignite. Heat oils slowly on low or medium settings.
- b) Always turn range hood ON when cooking at high heat or when flambing food (i.e.: Crêpes Suzette, Cherries Jubilee, Peppercorn Beef Flambé).
- c) Clean ventilating fans frequently. Grease should not be allowed to accumulate on fan, filters or in exhaust ducts.
- d) Use proper pan size. Always use cookware appropriate for the size of the surface element.

#### WARNING ⚠ ⚠

TO REDUCE THE RISK OF INJURY TO PERSONS IN THE EVENT OF A RANGE TOP GREASE FIRE, OBSERVE THE FOLLOWING\*:

1. SMOTHER FLAMES with a close-fitting lid, cookie sheet or metal tray, then turn off the burner. BE CAREFUL TO PREVENT BURNS. IF THE FLAMES DO NOT GO OUT IMMEDIATELY, EVACUATE AND CALL THE FIRE DEPARTMENT.
2. NEVER PICK UP A FLAMING PAN — You may be burned.
3. DO NOT USE WATER, including wet dishcloths or towels — This could cause a violent steam explosion.
4. Use an extinguisher ONLY if:
  - A. You own a Class ABC extinguisher and you know how to operate it.
  - B. The fire is small and contained in the area where it started.
  - C. The fire department has been called.
  - D. You can fight the fire with your back to an exit.

\* Based on "Kitchen Fire Safety Tips" published by NFPA.

#### CAUTION ⚠

1. For indoor use only.
2. For general ventilating use only. Do not use to exhaust hazardous or explosive materials and vapors.
3. To avoid motor bearing damage and noisy and/or unbalanced impellers, keep drywall spray, construction dust, etc. off power unit.
4. Your hood motor has a thermal overload which will automatically shut off the motor if it becomes overheated. The motor will restart when it cools down. If the motor continues to shut off and restart, have the hood serviced.
5. For best capture of cooking impurities, the bottom of the hood should be at a minimum of 20" and at a maximum of 25" above the cooking surface.
6. To reduce the risk of fire and to properly exhaust air, be sure to duct air outside — Donot exhaust air into spaces within walls or ceiling or into attics, crawl space or garage.
7. When installing, servicing or cleaning the unit, it is recommended to wear safety glasses and gloves.
8. Please read specification label on product for further information and requirements.

**INSTALLER: Leave this manual to the homeowner.**

**HOMEOWNER: Use and care information on page 5.**

## IMPORTANT

For Non-ducted (Duct free) Installation:

- a) Purchase non-ducted filter separately, part number S97021380.
- b) Remove and discard damper/duct connector and grille cover plate (See Step 3 in "Preparing the range Hood," on page 3).
- c) Follow all steps except steps inside dotted lines.

For Ducted Installation:

Follow all steps, including steps inside dotted lines **except Step 3 in "Preparing the range Hood," on page 3.**

## TOOLS AND MATERIAL REQUIRED

### TOOLS

- |   |  |
|---|--|
| <input type="checkbox"/> Drill            | <input type="checkbox"/> Flat blade and Phillips screwdriver |
| <input type="checkbox"/> 1 1/4" Spade bit | <input type="checkbox"/> Tape measure or ruler and pencil    |
| <input type="checkbox"/> Pliers           |  |

### For ducted installation ONLY:

- Saber saw
- Metal snips

### MATERIALS

- |  |  |
|--|--|
| <input type="checkbox"/> Electrical wiring and supplies of type to comply with local codes |  |
| <input type="checkbox"/> Roof or wall cap  | <input type="checkbox"/> Duct and metal foil duct tape |
| <input type="checkbox"/> Roof cement or caulk  |  |

For installation on kitchen cabinets with recess bottoms only:

- Two 1" x 2" x 12" (approximate length) wood strips (purchase locally)
- Four 1 1/4" long flat head screws (purchase locally) to fasten strips to cabinet bottom

## PLANNING DUCTWORK INSTALLATION

Begin planning ductwork by deciding where the duct will run between the range hood and the outside. For best performance, use the shortest possible duct run and a minimum number of elbows. There are several choices shown - **FIGS. 1A - 1F**.

If needed, a 3 1/4" x 10" rectangular ducting range hood can be converted to a round duct by means of a transition.

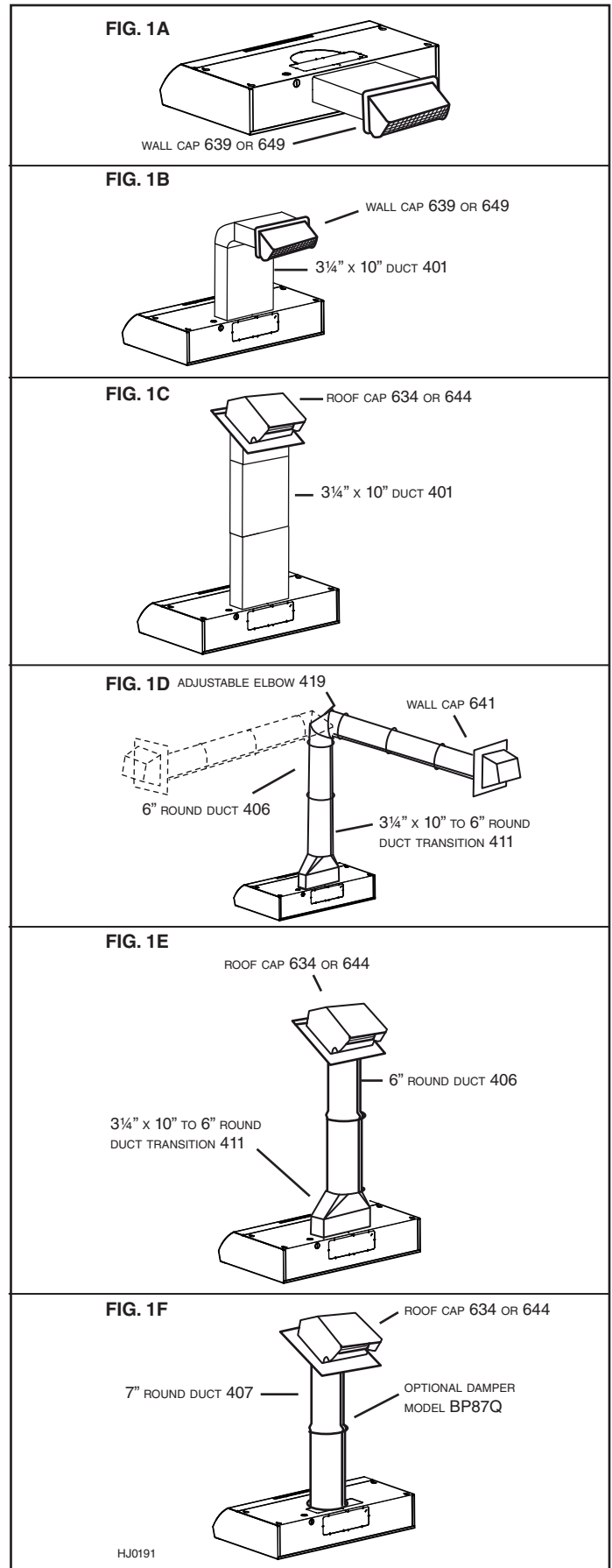
**FIG. 1A.** Ducting directly through the wall (for range hoods mounted on an exterior wall). Shown are two ways to duct through an outside wall. If a wall cap is used directly off the back of the hood, special care must be taken to make sure that the damper in the damper/duct connector on the hood and damper in the wall cap do not interfere with each other when the hood is operating. This could result in either inadequate air delivery or back drafts. If this condition does exist, remove the hood damper flap. Sometimes when using a wall cap it is easier to duct vertically and then use an elbow as shown in **FIG. 1B**.

**FIG. 1C.** Ducting straight up through the roof using 3 1/4" x 10" rectangular duct. (For single story installations.)

**FIG. 1D.** Ducting between the ceiling joists (for multi-story installations) or through the soffit space above the cabinets (where the soffit connects to an outside wall).

**FIG. 1E.** Straight up through the roof using 3 1/4" x 10" to 6" round duct transition and 6" round duct (for single-story installations).

**FIG. 1F.** Straight up through the roof using 7" round duct (for single-story installations).



HJ0191

## PREPARING THE RANGE HOOD

- Unpack hood and check contents. You should have:
  - Aluminum filter
  - 3¼" x 10" Damper/duct connector (mounted inside of hood for shipping only) (save the screws)
- Remove wiring box cover. Under cover find the parts bag containing loose hardware.

### For non-ducted installation only

- For non-ducted installation, remove the grille cover plate retaining screw from inside the hood, then pull the grille cover plate out of the hood and discard. (FIG. 3)

#### NOTE

The grille on front of hood must be open and visible for hood to operate in non-ducted mode.

- Remove either top or rear electrical knockout depending upon whether wiring will enter hood from wall or cabinet. (FIG. 4)

### DUCTED INSTALLATION ONLY

#### NOTE

The grille cover plate must NOT be removed to function in ducted mode.

- Remove appropriate duct knockout on hood by inserting screwdriver into edge of knockout and breaking tabs holding knockout to hood. Peel knockout back with pliers. (FIG. 5)
- For 3¼" x 10" ducting only: Fit damper/duct connector over opening and secure in place using screws previously removed in PREPARING THE HOOD section (FIG. 6)  
Hinge pins and damper/duct connector should be toward top of hood for ducting through wall or toward back of hood for ducting through cabinet above hood. Seal joint between damper/duct connector and hood with duct tape.
- 7" round ducted discharge only: Install, between 2 duct sections, a 7" round damper (purchase separately). Damper flap must open freely in direction of air flow (away from range hood).

## PREPARING THE INSTALLATION LOCATION

#### NOTE

MOUNT HOOD SO THAT BOTTOM OF HOOD IS 20"-25" ABOVE COOKING SURFACE.

OMIT STEP 8 if range hood will be installed under cabinets with flush bottom.

- (For installation on recessed bottom cabinets only.) Attach a wood filler strip at each side of recessed area under cabinet. (Use two 1" x 2" strips cut to length.) If recess is more than 1" use thicker strips. Attach strips with 1¼" screws about 3" from each end. See FIG. 7.
- Measure and mark the following (FIGS. 7 & 8):
  - Electrical line opening
  - Duct opening
- Drill four pilot holes in corners of marked duct opening as shown and cut opening with saber saw or keyhole saw.
- Use 1¼" drill bit to drill opening for electrical connection in wall or cabinet.
- Hold hood up against cabinet bottom and trace keyhole slots onto cabinet bottom or filler strips.
- Screw the four supplied 7/8" wood screws for mounting the hood into the exact center of the narrow end of the keyhole slots marked underneath the cabinet. Allow 3/8" of the screws to project, so the hood can be fitted into place.

FIG. 2

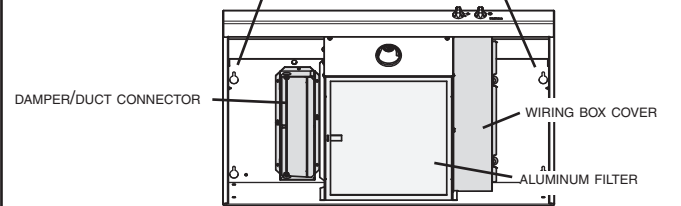


FIG. 3

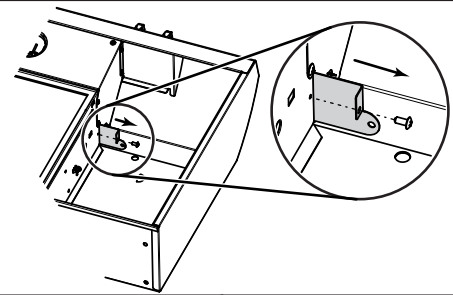


FIG. 4

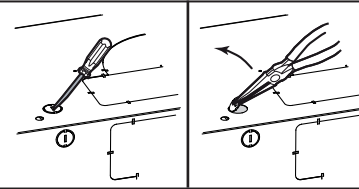


FIG. 5

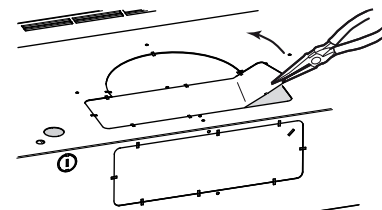


FIG. 6

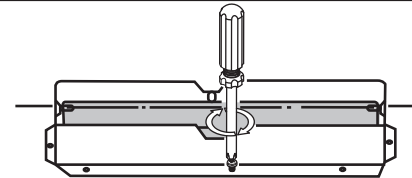


FIG. 7

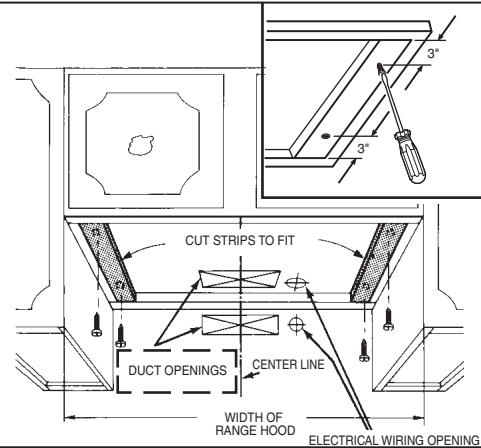
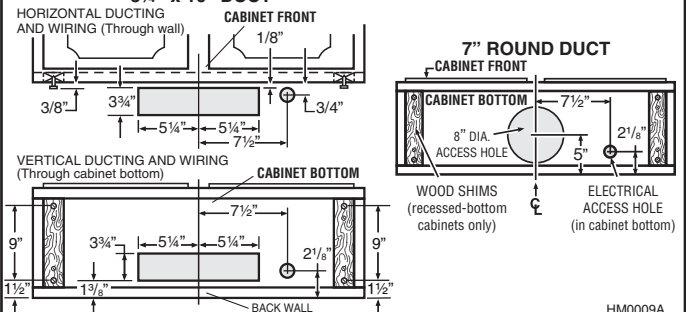


FIG. 8



## INSTALLING THE DUCTWORK

### NOTE

THESE INSTRUCTIONS WILL FOLLOW THE PLANS MADE ON PAGE 1. START AT THE EXTERIOR AND RUN THE DUCT BACK TO THE RANGE HOOD. FOR BEST PERFORMANCE OF YOUR RANGE HOOD, USE THE SHORTEST POSSIBLE DUCT RUN AND A MINIMUM NUMBER OF ELBOWS. NEVER VENT A RANGE HOOD INTO AN ATTIC SPACE BECAUSE A BUILDUP OF GREASE WILL BECOME A FIRE HAZARD. USE ONLY METAL DUCTWORK (DO NOT USE PLASTIC DUCT). ASSEMBLE SECURELY SO THAT IN CASE OF A GREASE FIRE ON THE RANGE, THE FIRE WILL BE CONTAINED INSIDE METAL DUCT WORK. IT IS A GOOD PRACTICE TO TAPE WITH METAL DUCT TAPE ALL DUCT CONNECTIONS, MAKING THEM BOTH SECURE AND AIR TIGHT.

14. Follow appropriate directions below for type of ductwork you are installing:

### WALL CAP (FIG. 9)

Use a saber saw to cut a hole slightly larger than duct so duct will line up easily with hood. Install casing strips on outside walls finished in siding. Assemble the duct work and tape all joints. Run duct work back to hood. Fasten wall cap to last section of duct and nail or screw cap to wall. Seal all around flange on wall cap with caulking compound for exterior use. Make sure that enough duct runs into the room so that the duct will overlap the damper/duct connector by 3/4" when the hood is installed.

### ROOF CAP

Cut hole in roof slightly larger than duct so duct will line up easily with hood. Trim shingles around hole so that they will fit snugly around hood of cap when cap is installed. Assemble the ductwork and tape all joints. Run the ductwork down to hood. Trim duct parallel to roof pitch, leaving 3/4" of duct projecting above roof. Seal all around duct with roof cement. Install roof cap, inserting back edge of cap under shingles. Seal around cap with roof cement and seal all nail heads and shingles which were cut or lifted.

Make sure that enough duct runs into the room so that the duct will overlap the damper/duct connector by 3/4" when the hood is put into place.

FIG. 9

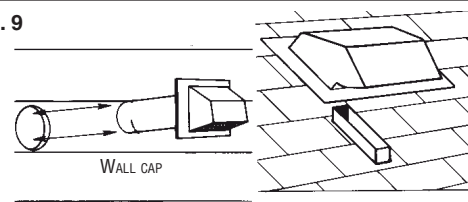


FIG. 10

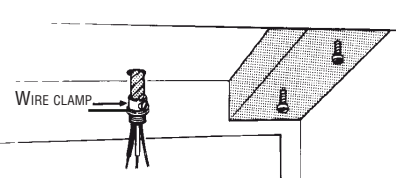


FIG. 11

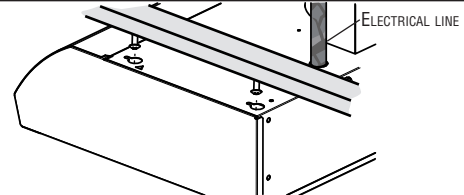


FIG. 12

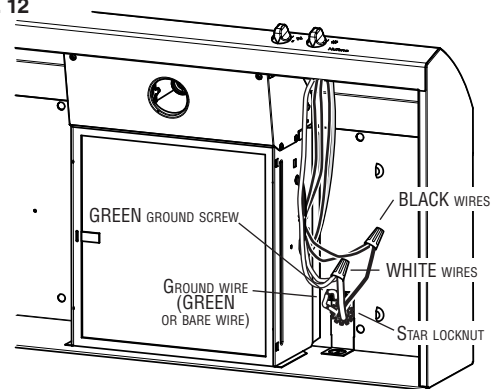
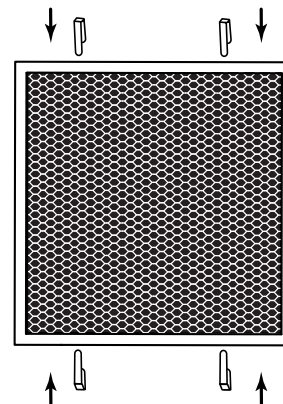


FIG. 13



HM0010

## INSTALLING THE RANGE HOOD

15. Bring electrical cable through access hole drilled in wall or bottom of cabinet. Provide 6" wire leads and install proper connector for type of cable being used. Remove lock nut from connector and let prepared cable project through cabinet or wall opening so it is ready for installation into range hood. (FIG. 10)

16. Position hood in place so that:

- Electrical line is routed through appropriate knockout opening. This step will have to be accomplished while positioning hood. (FIG. 11)
- Large part of keyhole mounting slots on hood fit onto hood mounting screws projecting from bottom of cabinet. (FIG. 11)
- Damper/duct connector (if present) slides into duct work in wall or cabinet.

17. Tighten the four hood mounting screws securely.

18. Install locknut on electrical connector and tighten securely.

19. Make electrical connection using wire nuts to connect WHITE wires to WHITE, BLACK wires to BLACK, and GREEN or bare wire to GREEN ground screw provided (FIG. 12).

20. Replace wiring box cover and screw, taking care not to pinch wires.

### NOTE

For non-ducted installations only:  
Remove the aluminum filter from the hood. Attach the non-ducted filter (part number S97021380, purchase separately) on the back of aluminum filter (side without pull tab), using 4 provided clips (FIG. 13). Reinstall the aluminum filter.

## USE AND CARE

### CONTROL KNOBS

Right knob controls light and left knob controls blower.

**Light:** Rotate light knob **CLOCKWISE** to turn **ON** the light. Rotate knob **COUNTERCLOCKWISE** to turn light **OFF**.

**Blower:** Rotate blower knob **CLOCKWISE** to turn blower **ON** to **LOW** speed. Further **CLOCKWISE** rotation sets blower on **HIGH** speed. Rotate knob fully **COUNTERCLOCKWISE** (past **LOW** speed) to turn fan **OFF**.

### CLEANING

Finish Keep your range hood clean using a mild detergent suitable for painted surfaces.

The aluminum filter should be cleaned frequently. Use a warm dishwashing detergent solution.

Clean all-metal filter using a non-phosphate detergent. Discoloration of the filter may occur if using phosphate detergents, or as a result of local water conditions - but this will not affect filter performance. This discoloration is not covered by the warranty. To minimize or prevent discoloration, hand wash filter using a mild detergent.

### FILTER REMOVAL

Remove filter by pulling on its plastic tab.

### LIGHT BULB REPLACEMENT

Light bulb (not supplied with hood) should be **HALOGEN OR LED**, but always **GU10** base. Align the bulb leads with the small indentations located on the border of the lamp location on hood (see inset in **FIG. 14**), then install the bulb by placing the bulb leads into their grooves in the socket. **NOTE:** Do not fold the plate (grey part in **FIG. 14**) located in the light bulb housing. Gently push upwards and turn clockwise until secured.

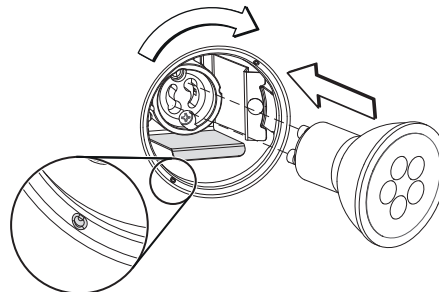
**Halogen bulb:** Shielded halogen bulb, GU10 base, 50 watts maximum.

#### **⚠ WARNING**

**Do not touch lamps during or soon after operation. Burns may occur. In order to prevent the risk of personal injury, only install shielded halogen lamps. Also, never install a cool beam, a dichroic lamp, a lamp not suitable for use in recessed luminaires or identified for use in enclosed fixtures.**

**LED bulb:** 7 watts maximum, GU10 base.

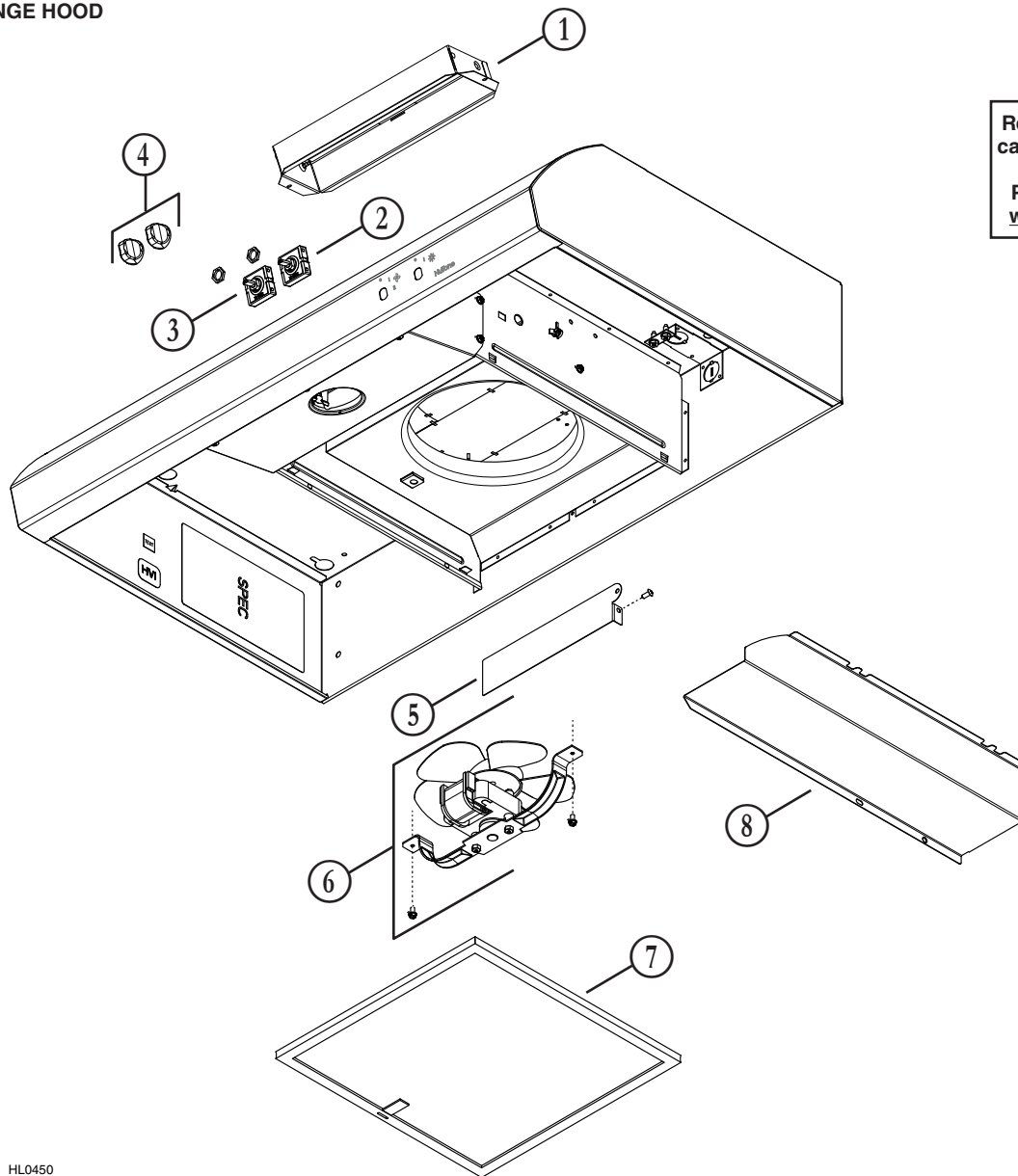
**FIG. 14**



HO0352

# SERVICE PARTS

## AR1 SERIES RANGE HOOD



Replacement parts can now be ordered on our website. Please visit us at [www.nutone.com](http://www.nutone.com)

HL0450

KEY No.	PART No.	DESCRIPTION
1	SR740014	3¼" x 10" ADAPTER/DAMPER
2	S99670656	LIGHT SWITCH (INCLUDING NUT)
3	S99670657	BLOWER SWITCH (INCLUDING NUT)
4	S600348	KNOB, BLACK (SET OF 2)
	S600349	KNOB, WHITE (SET OF 2)
5	S98012130	GRILLE COVER PLATE
6	S99080777	BLOWER ASSEMBLY (INCLUDING SCREWS)
7	S99010467	ALUMINUM FILTER
8	S98012127	ELECTRICAL COMPARTMENT COVER
*	S97021380	NON-DUCTED FILTER (FOR NON-DUCTED INSTALLATION ONLY)
*	S99271677	BULB HOLDER WITH WIRES

### REPLACEMENT PARTS AND REPAIRS

In order to ensure your unit remains in good working condition, you must use Broan-NuTone LLC genuine replacement parts only. Broan-NuTone LLC genuine replacement parts are specially designed for each unit and are manufactured to comply with all the applicable certification standards and maintain a high standard of safety. Any third party replacement part used may cause serious damage and drastically reduce the performance level of your unit, which will result in premature failing. Broan-NuTone LLC recommends to contact a certified service depot for all replacement parts and repairs.

\* Not shown.

Order service parts by PART NO. - NOT by KEY No.

## Limited Warranty

**Warranty Period and Exclusions:** Broan-NuTone LLC and Venmar Ventilation ULC (either being the “Company”) warrants to the original consumer purchaser of its product (“you”) that the product (the “Product”) will be free from material defects in the Product or its workmanship for a period of one (1) year from the date of original purchase (or such longer period as may be required by applicable law).

The limited warranty period for any replacement parts provided by the Company and for any Products repaired or replaced under this limited warranty shall be the remainder of the original warranty period (or such longer period as may be required by applicable law).

This warranty does not cover fluorescent lamp starters, tubes, halogen and incandescent bulbs, fuses, filters, ducts, roof caps, wall caps and other accessories for ducting that may be purchased separately and installed with the Product. This warranty also does not cover (a) normal maintenance and service, (b) normal wear and tear, (c) any Products or parts which have been subject to misuse, abuse, abnormal usage, negligence, accident, improper or insufficient maintenance, storage or repair (other than repair by the Company), (d) damage caused by faulty installation, or installation or use contrary to recommendations or instructions, (e) any Product that has been moved from its original point of installation, (f) damage caused by environmental or natural elements, (g) damage in transit, (h) natural wear of finish, (i) Products in commercial or nonresidential use, or (j) damage caused by fire, flood or other act of God or (k) Products with altered, defaced or removed serial numbers. This warranty covers only Products sold in the United States and Canada by the Company or its U.S. and Canadian distributors authorized by the Company.

This warranty supersedes all prior warranties and, subject to applicable law, is not transferable from the original consumer purchaser.

**No Other Warranties:** This Limited Warranty contains the Company’s sole obligation and your sole remedy for defective products. The foregoing warranties are exclusive and in lieu of any other warranties and conditions, express or implied. **THE COMPANY DISCLAIMS AND EXCLUDES ALL OTHER EXPRESS WARRANTIES AND CONDITIONS, AND DISCLAIMS AND EXCLUDES ALL WARRANTIES AND CONDITIONS IMPLIED BY LAW, INCLUDING WITHOUT LIMITATION THOSE OF MERCHANTABILITY AND FITNESS FOR A PARTICULAR PURPOSE.** To the extent that applicable law prohibits the exclusion of implied warranties or conditions, the duration of any applicable implied warranty or condition is limited to the period specified for the express warranty above. Some jurisdictions do not allow limitations on how long an implied warranty lasts, so the above limitation may not apply to you. Any oral or written description of the Product is for the sole purpose of identifying it and shall not be construed as an express warranty.

Whenever possible, each provision of this Limited Warranty shall be interpreted in such manner as to be effective and valid under applicable law, but if any provision is held to be prohibited or invalid, such provision shall be ineffective only to the extent of such prohibition or invalidity, without invalidating the remainder of such provision or the other remaining provisions of the Limited Warranty.

**Remedy:** During the applicable limited warranty period, the Company will, at its option, provide replacement parts for, or repair or replace, without charge, any Product or part thereof, to the extent the Company finds it to be covered by and in breach of this limited warranty under normal use and service. The Company will ship the repaired or replaced Product or replacement parts to you at no charge. You are responsible for all costs for removal, reinstallation and shipping, insurance or other freight charges incurred in the shipment of the Product or part to the Company. If you must send the Product or part to the Company, as instructed by the Company, you must properly pack the Product or part—the Company is not responsible for damage in transit. The Company reserves the right to utilize reconditioned, refurbished, repaired or remanufactured Products or parts in the warranty repair or replacement process. Such Products and parts will be comparable in function and performance to an original Product or part and warranted for the remainder of the original warranty period (or such longer period as may be required by applicable law).

Company reserves the right, in its sole discretion, to refund the money actually paid by you for the Product in lieu of repair or replacement. If the Product or component is no longer available, replacement may be made with a similar product of equal or greater value, at Company’s sole discretion. This is your sole and exclusive remedy for breach of this limited warranty.

**Exclusion of Damages:** **THE COMPANY’S OBLIGATION TO PROVIDE REPLACEMENT PARTS, OR REPAIR, REPLACE OR REFUND, AT THE COMPANY’S OPTION, SHALL BE YOUR SOLE AND EXCLUSIVE REMEDY UNDER THIS LIMITED WARRANTY AND THE COMPANY’S SOLE AND EXCLUSIVE OBLIGATION. THE COMPANY SHALL NOT BE LIABLE FOR INCIDENTAL, INDIRECT, CONSEQUENTIAL OR SPECIAL DAMAGES ARISING OUT OF OR IN CONNECTION WITH THE PRODUCT, ITS USE OR PERFORMANCE.** Incidental damages include but are not limited to such damages as loss of time and loss of use. Consequential damages include but are not limited to the cost of repairing or replacing other property which was damaged if the Product does not work properly.

**THE COMPANY SHALL NOT BE LIABLE TO YOU, OR TO ANYONE CLAIMING UNDER YOU, FOR ANY OTHER OBLIGATIONS OR LIABILITIES, INCLUDING, BUT NOT LIMITED TO, OBLIGATIONS OR LIABILITIES ARISING OUT OF BREACH OF CONTRACT OR WARRANTY, NEGLIGENCE OR OTHER TORT OR ANY THEORY OF STRICT LIABILITY, WITH RESPECT TO THE PRODUCT OR THE COMPANY’S ACTS OR OMISSIONS OR OTHERWISE.**

Some jurisdictions do not allow the exclusion or limitation of incidental or consequential damages, so the above limitation or exclusion may not apply to you. This warranty gives you specific legal rights, and you may also have other rights, which vary from jurisdiction to jurisdiction. The disclaimers, exclusions, and limitations of liability under this warranty will not apply to the extent prohibited by applicable law.

This warranty covers only replacement or repair of defective Products or parts thereof at the Company’s main facility and does not include the cost of field service travel and living expenses.

Any assistance the Company provides to or procures for you outside the terms, limitations or exclusions of this limited warranty will not constitute a waiver of such terms, limitations or exclusions, nor will such assistance extend or revive the warranty.

The Company will not reimburse you for any expenses incurred by you in repairing or replacing any defective Product, except for those incurred with the Company’s prior written permission.

**How to Obtain Warranty Service:** To qualify for warranty service, you must (a) notify the Company at the address or telephone number stated below within seven (7) days of discovering the covered defect, (b) give the model number and part identification and (c) describe the nature of any defect in the Product or part. At the time of requesting warranty service, you must present evidence of the original purchase date. If you cannot provide a copy of the original written limited warranty, then the terms of the Company’s most current written limited warranty for your particular product will control. The most current limited written warranties for the Company’s products can be found at [www.nutone.com](http://www.nutone.com) and [www.nutone.ca](http://www.nutone.ca)

Broan-NuTone LLC 926 West State Street, Hartford, WI 53027 [www.nutone.com](http://www.nutone.com) 800-637-1453

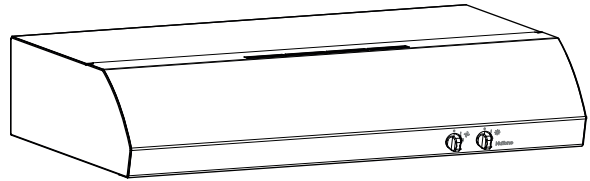
Venmar Ventilation ULC, 550 Lemire Blvd., Drummondville, Québec, Canada J2C 7W9 [www.nutone.ca](http://www.nutone.ca) 1-877-896-1119

# NuTone®

## HOTTES DE CUISINIÈRE DE SÉRIE AR1 À 4 CONFIGURATIONS

AUX É.-U., ENREGISTREZ VOTRE  
PRODUIT EN LIGNE À  
WWW.NUTONE.COM

AU CANADA, ENREGISTREZ VOTRE  
PRODUIT EN LIGNE À :  
WWW.NUTONE.CA



### LIRE ET CONSERVER CES INSTRUCTIONS

▲ **CONÇUE POUR USAGE DOMESTIQUE SEULEMENT.** ▲

#### AVERTISSEMENT ▲ ▲

**AFIN DE RÉDUIRE LES RISQUES D'INCENDIE, D'ÉLECTROCUTION OU DE BLESSURES CORPORELLES, SUIVEZ LES DIRECTIVES SUIVANTES :**

1. N'utilisez cet appareil que de la façon prévue par le fabricant. Si vous avez des questions, contactez le fabricant à l'adresse ou au numéro de téléphone indiqués dans la garantie.
2. Avant de réparer ou de nettoyer l'appareil, couper l'alimentation électrique en verrouillant le panneau de distribution afin d'éviter sa remise en marche accidentelle. Si le panneau de distribution ne peut être verrouillé, y fixer un avertissement en évidence, telle qu'une étiquette de couleur vive.
3. Les travaux d'installation et de raccordement électrique doivent être effectués par une personne qualifiée, conformément aux codes et aux standards de construction, incluant ceux concernant la protection contre les incendies.
4. Une quantité d'air adéquate est requise afin d'assurer une bonne combustion et l'évacuation des gaz par la cheminée dans le cas des équipements alimentés au gaz afin de prévenir les retours de cheminée. Conformez-vous aux instructions et aux standards de sécurité des fabricants d'équipement de chauffage, tel qu'ils sont publiés par la National Fire Protection Association (NFPA) et l'American Society for Heating, Refrigeration and Air Conditioning Engineers (ASHRAE) ainsi que les responsables des codes locaux.
5. Veillez à ne pas endommager le câblage électrique ou d'autres équipements non apparents lors de la découpe ou du perçage du mur ou du plafond.
6. Les hottes avec conduits doivent toujours évacuer l'air à l'extérieur.
7. Ne pas utiliser cet appareil avec une commande de vitesse à semi-conducteur additionnelle.
8. Afin de réduire les risques d'incendie, n'utilisez que des conduits de métal.
9. Cet appareil doit être mis à la terre.
10. Lorsqu'une réglementation est en vigueur et qu'elle comporte des exigences d'installation et/ou de certification plus restrictives, lesdites exigences prévalent sur celles de ce document et l'installateur entend s'y conformer à ses frais.

#### AFIN DE RÉDUIRE LES RISQUES DE FEU DE CUISINIÈRE :

- a) Ne jamais laisser les appareils de cuisson sans surveillance lorsqu'ils sont réglés à feu vif. Les débordements engendrent de la fumée et des déversements graisseux pouvant s'enflammer. Chauffez l'huile lentement, à feu doux ou moyen.
- b) Mettez toujours la hotte en marche lorsque vous cuisinez à feu vif ou que vous cuisinez des mets flambés (par ex. : crêpes Suzette, cerises jubilé, steaks au poivre flambés).
- c) Nettoyez régulièrement l'hélice du ventilateur. Ne laissez pas la graisse s'accumuler sur le ventilateur, le filtre ou les conduits d'évacuation.
- d) Utilisez le bon format de casserole. Servez-vous toujours de casseroles et d'ustensiles appropriés à la dimension de la surface chauffante.

#### AVERTISSEMENT ▲ ▲

**AFIN DE RÉDUIRE TOUT RISQUE DE BLESSURES LORS D'UN FEU DE CUISINIÈRE, SUIVEZ CES DIRECTIVES\* :**

1. ÉTOUFFEZ LES FLAMMES avec un couvercle hermétique, une tôle à biscuits ou un plateau métallique et ensuite, éteignez le brûleur. PRENEZ SOIN D'ÉVITER LES BRÛLURES. SI LES FLAMMES NE S'ÉTEIGNENT PAS IMMÉDIATEMENT, ÉVACUEZ LES LIEUX ET APPELEZ LES POMPIERS.
2. NE PRENEZ JAMAIS UNE CASSEROLE EN FLAMMES DANS VOS MAINS. Vous pourriez vous brûler.
3. N'UTILISEZ PAS D'EAU, incluant un linge à vaisselle ou une serviette mouillée, cela pourrait occasionner une violente explosion de vapeur.
4. N'utilisez un extincteur QUE DANS LE CAS OÙ :
  - A. Vous possédez un extincteur de classe ABC et vous en connaissez le fonctionnement.
  - B. Le feu est petit et limité à l'endroit où il a débuté.
  - C. Les pompiers ont été avisés.
  - D. Vous pouvez combattre le feu en ayant accès à une sortie de secours.

\* Tirées du Kitchen Fire Safety Tips publié par la NFPA.

#### ATTENTION ▲

1. Pour une utilisation à l'intérieur seulement.
2. Pour usage domestique seulement. Ne pas utiliser pour évacuer des vapeurs ou des matières dangereuses ou explosives.
3. Afin d'éviter tout dommage aux moteurs et de déséquilibrer ou de rendre bruyantes les roues du ventilateur, garder votre appareil à l'abri des poussières de gypse et de construction/rénovation, etc.
4. Le moteur de votre hotte possède une protection thermique qui éteindra automatiquement le moteur s'il devient surchauffé. Le moteur redémarrera automatiquement une fois refroidi. Si le moteur continue à arrêter et à redémarrer, faites-le vérifier.
5. Pour une meilleure évacuation des odeurs de cuisson, le bas de votre hotte devrait être situé à un minimum de 20 po et à un maximum de 25 po au-dessus de la surface de cuisson.
6. Afin de réduire les risques d'incendie et évacuer l'air adéquatement, assurez-vous que les conduits évacuent l'air à l'extérieur. Ne pas évacuer l'air dans des espaces restreints comme l'intérieur des murs ou plafond ou dans le grenier, faux plafond ou garage.
7. Il est recommandé de porter des lunettes et des gants de sécurité lors de l'installation, de l'entretien ou de la réparation de cet appareil.
8. Veuillez consulter l'autocollant apposé à l'intérieur de la hotte pour plus d'information ou autres exigences.

**INSTALLATEUR : Laisser ce manuel au propriétaire.**

**PROPRIÉTAIRE : Renseignements sur l'utilisation et l'entretien en page 5.**

99046109B



## IMPORTANT

Pour une installation sans conduit (recirculation) :

- Se procurer un filtre au charbon, numéro de pièce S97021380.
- Retirer et se défaire de l'adaptateur/volet et de la plaque de la grille (voir l'étape 3 de la section Préparation de la hotte, en page 3).
- Suivre toutes les étapes sauf celles dans les blocs en ligne pointillée.

Pour une installation avec conduits :

Suivre toutes les étapes, incluant celles dans les blocs en ligne pointillée, **sauf l'étape 3 de la section Préparation de la hotte, en page 3.**

## OUTILS ET MATÉRIAUX REQUIS

### OUTILS

- |  |   |
|--|---|
| <input type="checkbox"/> Perceuse                    | <input type="checkbox"/> Tournevis à lame plate et tournevis Phillips |
| <input type="checkbox"/> Foret à trois pointes 1¼ po | <input type="checkbox"/> Ruban à mesurer ou règle et crayon           |
| <input type="checkbox"/> Pinces                      |   |

### Pour installation avec conduits SEULEMENT :

- |   |
|---|
| <input type="checkbox"/> Scie sauteuse      |
| <input type="checkbox"/> Cisailles à métaux |

### MATÉRIAUX

- |  |   |
|--|---|
| <input type="checkbox"/> Câble et matériel électrique conformes aux codes locaux |   |
| <input type="checkbox"/> Capuchon de mur ou de toit                              | <input type="checkbox"/> Conduits et ruban à conduit de métal |
| <input type="checkbox"/> Produit de calfeutrage pour l'extérieur                 |   |

Pour une installation sous des armoires avec fond en retrait seulement :

- |  |
|--|
| <input type="checkbox"/> 2 baguettes de bois de 1 po x 2 po x 12 po (longueur approximative) (à acheter localement).                                 |
| <input type="checkbox"/> 4 vis à bois à tête fraisée de 1¼ po de longueur (à acheter localement) pour fixer les baguettes de bois sous les armoires. |

## PLANIFICATION DU RÉSEAU DE CONDUITS

Établir où le conduit passera entre la hotte et l'extérieur. Pour une performance optimale, installer un réseau de conduits le plus court possible en utilisant une quantité minimale de coudes. Plusieurs choix s'offrent à vous; voir - **FIGS. 1A - 1F**.

Si nécessaire, un réseau de conduit rectangulaire de 3¼ po x 10 po peut être converti en réseau à conduit rond à l'aide d'une transition.

**FIG. 1A.** Directement à travers un mur (pour une hotte adossée à un mur extérieur). Il existe deux façons pour rendre le conduit jusqu'au mur extérieur. Si un capuchon de mur est installé directement à l'arrière de la hotte, s'assurer que le volet de l'adaptateur/volet de la hotte n'interfère pas avec le volet du capuchon de mur lors du fonctionnement de la hotte. Il en résulterait une évacuation inadéquate ou des retours d'air. Dans ce cas, retirer le volet de l'adaptateur/volet de la hotte. Quelquefois, il peut être plus facile de passer le conduit verticalement, puis d'installer un coude pour se raccorder au capuchon mural, tel qu'il est démontré en **FIG. 1B**.

**FIG. 1C.** Directement jusqu'au toit avec un conduit rectangulaire de 3¼ po x 10 po. (Installation dans un logement à un seul étage.)

**FIG. 1D.** Installation à travers les solives de plafond (installation dans un logement à plusieurs étage) ou à travers l'espace au-dessus des armoires (si cet espace donne sur un mur extérieur).

**FIG. 1E.** Directement jusqu'au toit avec une transition de 3¼ po x 10 po à 6 po rond et un conduit rond de 6 po (installation dans un logement à un seul étage).

**FIG. 1F.** Directement jusqu'au toit avec un conduit rond de 7 po (installation dans un logement à un seul étage).

FIG. 1A

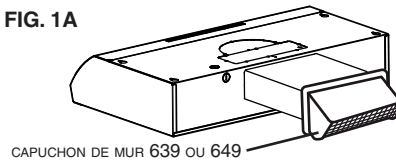


FIG. 1B

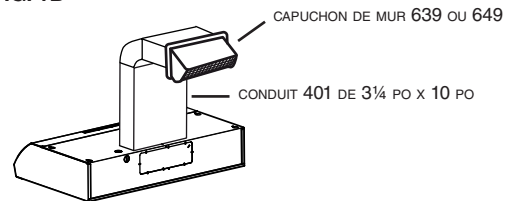


FIG. 1C

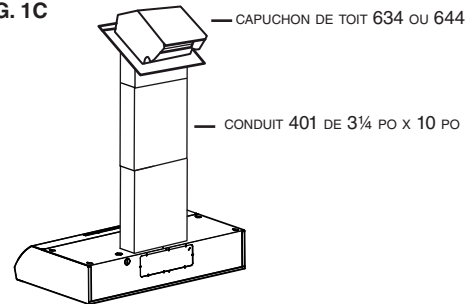


FIG. 1D

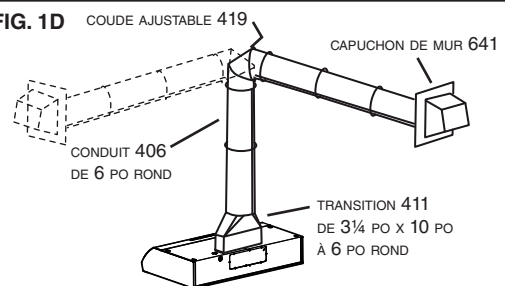


FIG. 1E

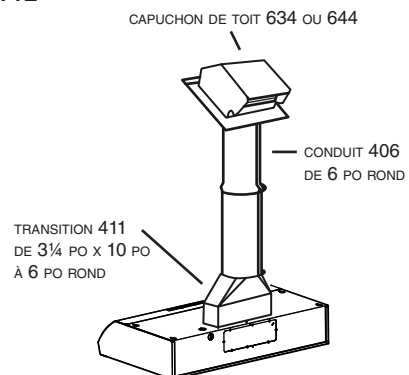
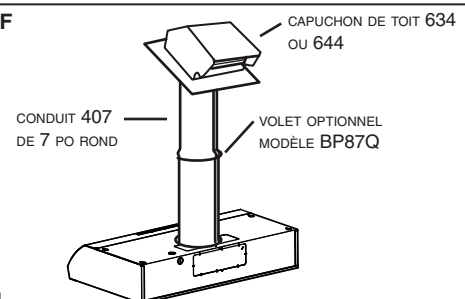


FIG. 1F



HJ0191

## PRÉPARATION DE LA HOTTE

- Déballer la hotte et vérifier si les articles suivants sont présents :
  - 1 - Filtre d'aluminium
  - 1 - Adaptateur/volet de 3 1/4 po x 10 po (vissé à l'intérieur de la hotte pour le transport) (garder les vis).
- Retirer le couvercle du câblage. Sous le couvercle se trouve le sac de pièces contenant la visserie).

### Pour une installation sans conduit seulement

- Pour une installation sans conduit, retirer la vis de retenue de la plaque de la grille par l'intérieur de la hotte, puis tirer sur la plaque pour la retirer et s'en défaire. (FIG. 3)

#### NOTE

La grille à l'avant de la hotte doit être ouverte et visible pour le bon fonctionnement en mode sans conduit.

- Retirer l'ouverture pour le câble électrique du dessus ou de l'arrière de la hotte, selon que le câble provient de l'armoire ou du mur (FIG. 4).

## INSTALLATION AVEC CONDUIT SEULEMENT

#### NOTE

Le couvercle de la grille NE DOIT PAS ÊTRE RETIRÉ pour fonctionner en mode avec conduit.

- Dégager l'ouverture préamorcée appropriée pour le conduit, en insérant un tournevis sur le bord de l'ouverture. Utiliser des pinces pour retirer la tôle. (FIG. 5)
- Pour des conduits de 3 1/4 po seulement : Installer l'adaptateur/volet sur l'ouverture et le fixer à la hotte à l'aide de vis retirées précédemment à la section PRÉPARATION DE LA HOTTE. (FIG. 6) En évacuation à travers le mur, le volet de l'adaptateur/volet doit s'ouvrir vers le haut. En évacuation vers les armoires, le volet doit s'ouvrir vers l'arrière de la hotte. Sceller l'adaptateur/volet à la hotte avec du ruban adhésif de métal.
- Conduit de 7 po rond seulement : Installer, entre 2 sections de conduits, un volet rond de 7 po (acheter séparément). Le volet doit ouvrir en direction du débit de l'air (vers le haut).

## PRÉPARATION DE L'EMPLACEMENT

#### NOTE

LE BAS DE LA HOTTE DOIT ÊTRE ENTRE 20 PO ET 25 PO AU-DESSUS DE LA SURFACE DE CUISSON.

SAUTER L'ÉTAPE 8 si la hotte sera installée sous une armoire à fond égal.

- (Pour une installation sous une armoire à fond en retrait seulement.) Fixer une cale de bois de chaque côté sous l'armoire, dans la zone en retrait. (Utiliser 2 cales de 1 po x 2 po, de longueur appropriée.) Si le retrait est plus profond que 1 po, utiliser des cales plus épaisses. Fixer les cales avec des vis de 1 1/4 po à environ 3 po de l'avant et de l'arrière. Voir FIG. 7.
- Mesurer et tracer l'emplacement des ouvertures suivantes (FIG. 7 & FIG. 8) :
  - a) Ouverture pour câble d'alimentation
  - b) Ouverture pour conduit
- Percer 4 avant-trous dans les coins de l'ouverture tracée pour le conduit tel qu'il est indiqué et pratiquer l'ouverture à l'aide d'une scie sauteuse ou d'une scie à guichet.
- À l'aide d'un foret de 1 1/4 po, percer le trou pour le câble électrique dans le mur ou l'armoire.
- Appuyer la hotte sur le dessous de l'armoire et tracer les trous en forme de serrure sur le dessous de l'armoire (ou sur les cales).
- Visser les 4 vis à bois de 7/8 po incluses pour le montage de la hotte au centre exact de la section étroite des trous en forme de serrure tracés sur le dessous de l'armoire. Laisser les vis dépasser de 3/8 po pour pouvoir y accrocher la hotte.

FIG. 2

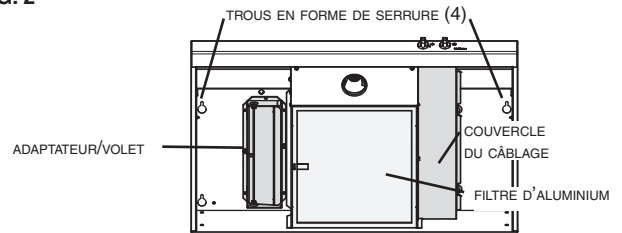


FIG. 3

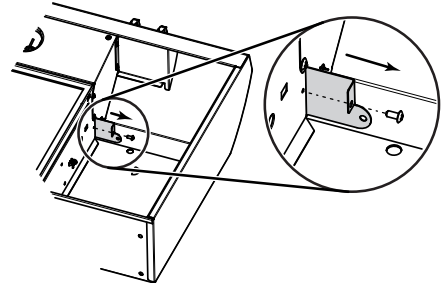


FIG. 4

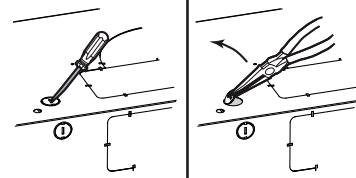


FIG. 5

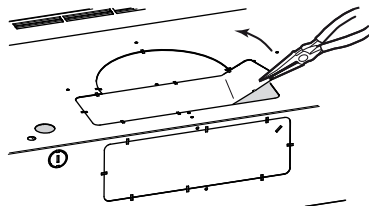


FIG. 6

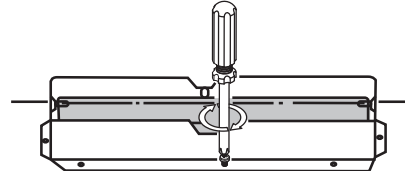


FIG. 7

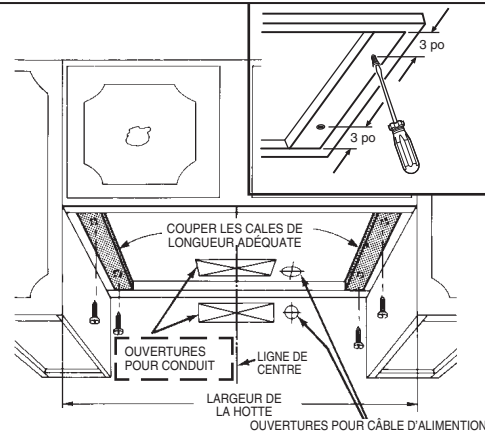
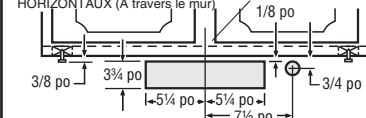
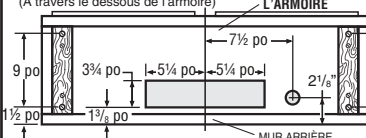


FIG. 8 CONDUIT DE 3 1/4 po x 10 po

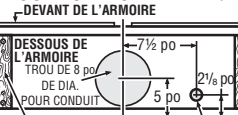
CONDUIT ET CÂBLAGE HORIZONTAL (À travers le mur) DEVANT DE L'ARMOIRE



CONDUIT ET CÂBLAGE VERTICAUX (À travers le dessous de l'armoire) DESSOUS DE L'ARMOIRE



CONDUIT ROND DE 7 po DEVANT DE L'ARMOIRE



CALES DE BOIS (armoires à fond en retrait seulement) TROU POUR FIL D'ALIMENTATION (dans le dessous de l'armoire)

## INSTALLATION DU CONDUIT

### NOTE

CES INSTRUCTIONS SUIVront LES PLANS FAITS EN PAGE 1. COMMENCER PAR L'EXTÉRIEUR ET ACHÉMINER LE CONDUIT VERS LA HOTTE.

POUR UNE MEILLEURE PERFORMANCE DE VOTRE HOTTE, UTILISER UN RÉSEAU DE CONDUITS LE PLUS COURT POSSIBLE ET UNE QUANTITÉ MINIMALE DE COUDES.

NE JAMAIS ÉVACUER L'AIR D'UNE HOTTE DANS UN GRENIER CAR UNE ACCUMULATION DES GRAISSES DEVIENDRA UN RISQUE D'INCENDIE.

N'UTILISER QUE DES CONDUITS DE MÉTAL (NE PAS UTILISER DE CONDUITS DE PLASTIQUE). LES ASSEMBLER SÉCURITAIREMENT POUR QU'EN CAS DE FEU DE GRAISSES SUR LA SURFACE DE CUISSON, LE FEU SERA CONTENU À L'INTÉRIEUR DES CONDUITS DE MÉTAL.

IL EST RECOMMANDÉ DE SCELLER AVEC DU RUBAN MÉTALLIQUE À CONDUIT TOUS LES RACCORDS DE CONDUITS, LES RENDANT AINSI SÉCURITAIRES ET ÉTANCHES.

14. Suivre les directives appropriées ci-dessous selon le type de réseau de conduit à installer :

#### CAPUCHON DE MUR (FIG. 9)

À l'aide d'une scie sauteuse, découper un trou légèrement plus grand que le conduit afin que celui-ci s'aligne facilement avec la hotte. Border l'ouverture avec des moulures. Assembler les conduits et sceller tous les joints. Acheminer les conduits vers la hotte. Attacher le capuchon de mur à la dernière section du conduit puis clouer ou visser le capuchon au mur. Calfeutrer le pourtour du capuchon avec un produit de calfeutrage pour l'extérieur. S'assurer que le conduit entrant dans la pièce soit assez long pour qu'une fois la hotte installée, son adaptateur/volet s'emboîte de 3/4 po à l'intérieur du conduit.

#### CAPUCHON DE TOIT

Dans la toiture, découper un trou légèrement plus grand que le conduit afin que celui-ci s'aligne facilement avec la hotte. Tailler les bardeaux autour du trou pour un ajustement parfait autour du capuchon une fois installé. Assembler les conduits et sceller tous les joints. Acheminer les conduits vers la hotte. Tailler le bout du conduit parallèle à la pente du toit, en dépassant de 3/4 po le toit. Sceller le pourtour du conduit avec de l'adhésif pour toiture. Installer le capuchon de toit, en insérant son bord arrière sous les bardeaux. Sceller le pourtour du capuchon ainsi que les têtes de clous et les bardeaux qui ont été coupés ou levés. S'assurer que le conduit entrant dans la pièce soit assez long pour qu'une fois la hotte installée, son adaptateur/volet s'emboîte de 3/4 po à l'intérieur du conduit.

FIG. 9

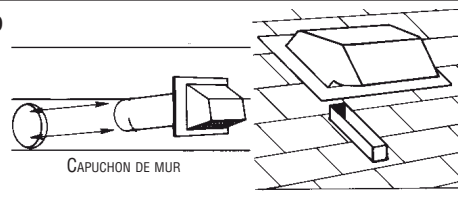


FIG. 10

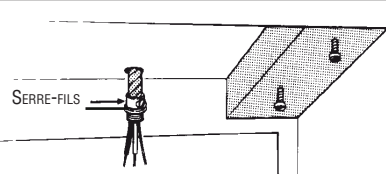


FIG. 11

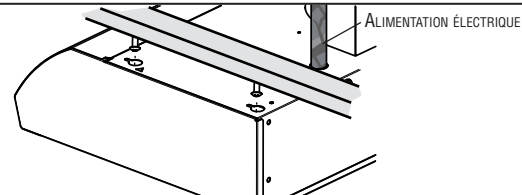


FIG. 12

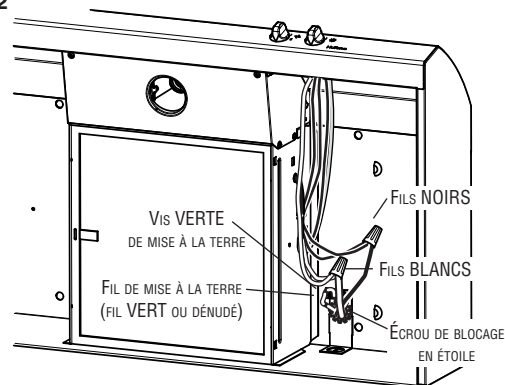
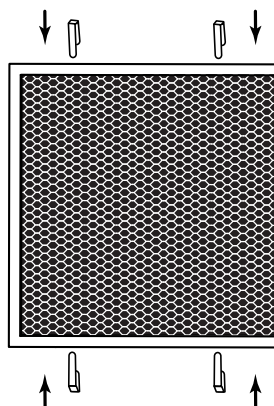


FIG. 13



HM0010

## INSTALLATION DE LA HOTTE

15. Passer le câble d'alimentation électrique à travers le trou pratiqué à cet effet dans le mur ou le dessous de l'armoire. Laisser une longueur de 6 po et installer un serre-fils approprié. Retirer l'écrou de blocage en étoile du serre-fils afin que le câble soit prêt pour son insertion dans la hotte. (FIG. 10)

16. Mettre la hotte en place de façon à ce que :

- Le câble d'alimentation électrique entre dans la hotte par son ouverture. Cette étape s'effectue en plaçant la hotte à son emplacement. (FIG. 11)
- Les vis de montage déjà installées dans le dessous de l'armoire s'insèrent dans la grande section des trous en forme de serrure de la hotte. (FIG. 11)
- L'adaptateur/volet (si présent) s'insère dans le conduit mural ou dans le conduit dans l'armoire.

17. Serrer fermement les 4 vis de montage.

18. Installer l'écrou de blocage sur le serre-fils et le serrer fermement.

19. Effectuer le raccordement électrique à l'aide de capuchons de connexion : fil BLANC aux fils BLANCS, fil NOIR aux fil NOIR et fil VERT ou dénudé à la vis VERTE de mise à la terre fournie. (FIG. 12)

20. Remettre en place et visser le couvercle du câblage, en prenant soin de ne pas pincer les fils.

### NOTE

Pour une installation sans conduit seulement :

Retirer le filtre d'aluminium de la hotte. Fixer le filtre de recirculation (vendu séparément, pièce n° S97021380) à l'endos du filtre d'aluminium (côté sans languette), à l'aide des 4 clips incluses (FIG. 13). Remettre en place le filtre d'aluminium.

## UTILISATION ET ENTRETIEN

### BOUTONS DE COMMANDES

Le bouton de droite contrôle l'éclairage et celui de gauche le ventilateur.

**Éclairage:** Tourner le bouton de l'éclairage dans le SENS DES AIGUILLES D'UNE MONTRE pour ALLUMER la lumière. Tourner dans le SENS CONTRAIRE DES AIGUILLES D'UNE MONTRE pour ÉTEINDRE la lumière.

**Ventilateur:** Tourner le bouton du ventilateur dans le SENS DES AIGUILLES D'UNE MONTRE pour activer le ventilateur en BASSE vitesse. Continuer à tourner le bouton dans le même sens pour régler le ventilateur en HAUTE vitesse. Tourner le bouton complètement dans le SENS CONTRAIRE DES AIGUILLES D'UNE MONTRE (plus loin que la BASSE vitesse) pour arrêter le ventilateur.

### NETTOYAGE

Nettoyer les surfaces de la hotte à l'aide d'un détergent doux convenant aux surfaces peintes.

Le filtre d'aluminium doit être nettoyé fréquemment. Utiliser une solution d'eau chaude et de détergent. Nettoyer le filtre fabriqué entièrement de métal à l'aide d'un détergent sans phosphate. L'utilisation d'un détergent avec phosphates ainsi que les conditions locales de l'eau peuvent entraîner une décoloration du filtre, sans toutefois affecter sa performance. Cette décoloration n'est pas couverte par la garantie. Afin de prévenir ou de limiter la décoloration, laver le filtre à la main avec un détergent doux.

### RETRAIT DU FILTRE

Tirer sur la languette pour retirer le filtre de la hotte.

### REPLACEMENT DE L'AMPOULE

L'ampoule (non incluse) peut être soit HALOGÈNE, soit à DEL, mais toujours à culot GU10. Aligner les conducteurs de l'ampoule avec les petits trous situés sur le bord de l'emplacement de l'ampoule sur la hotte (voir le médaillon, FIG. 14), puis installer l'ampoule en glissant ses conducteurs dans les rainures, à l'intérieur de la douille.

NOTE: Ne pas plier la plaque (en gris dans la FIG. 14) située dans le logement de l'ampoule.

Pousser doucement vers le haut et tourner dans le sens des aiguilles d'une montre jusqu'à ce que l'ampoule soit bien en place.

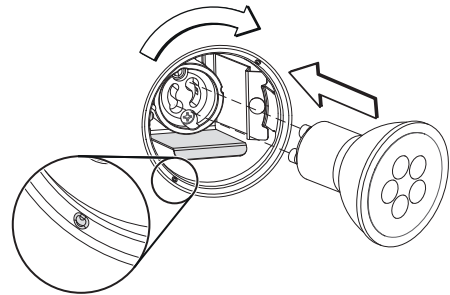
**Ampoule halogène:** Ampoule halogène avec écran, culot GU10, 50 watts max.

#### **⚠ AVERTISSEMENT**

**Ne pas toucher à l'ampoule durant ou peu après son utilisation. Peut causer des brûlures. Afin de réduire le risque de blessures corporelles, n'installer qu'une ampoule halogène avec écran. Aussi, ne jamais installer une ampoule à faisceau froid, dichroïque, non conçue pour des luminaires encastrés ou conçue uniquement pour des luminaires fermés.**

**Ampoule à DEL:** 7 watts maximum, à culot GU10.

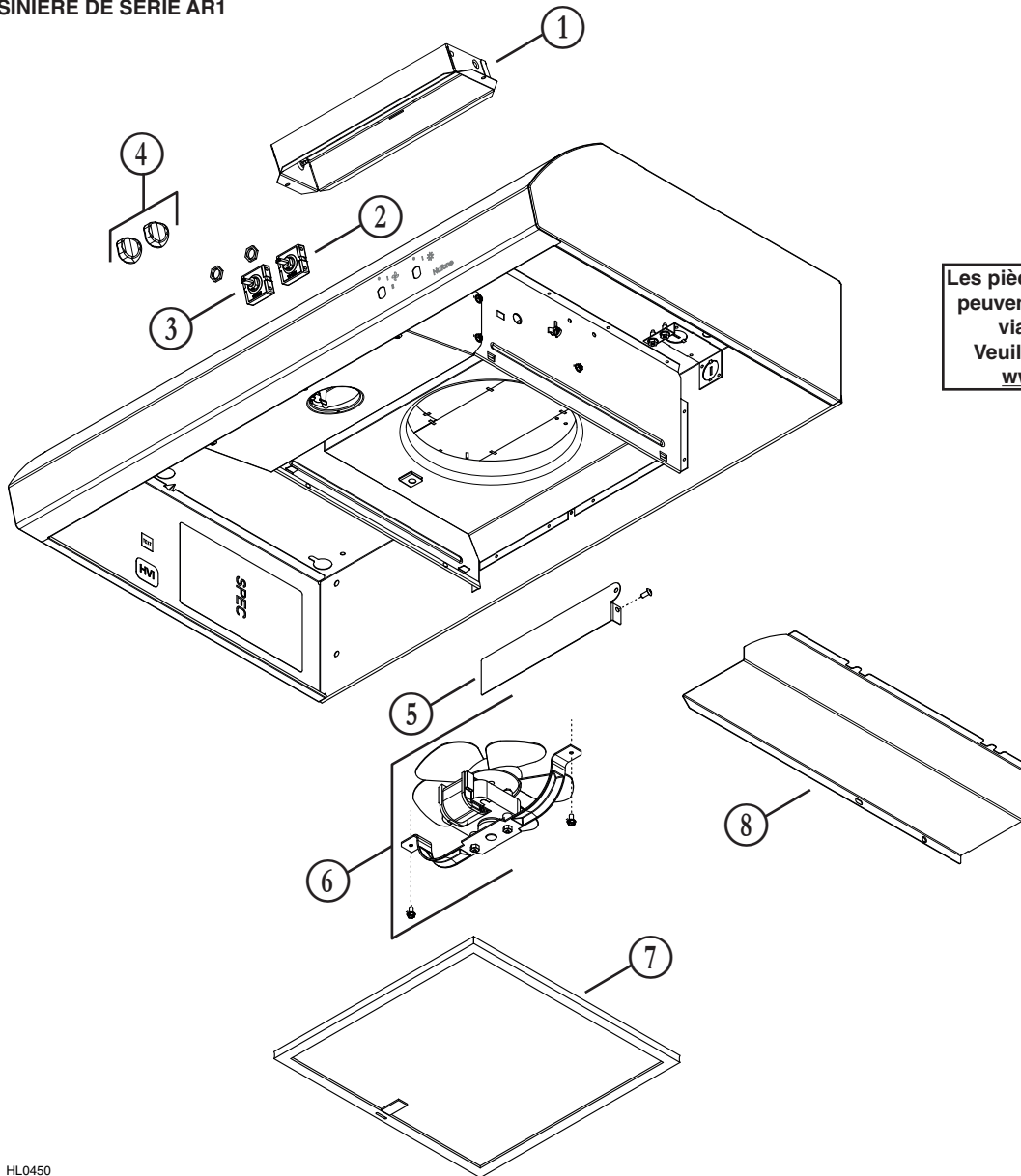
FIG. 14



HO0352

# PIÈCES DE REMPLACEMENT

## HOTTE DE CUISINIÈRE DE SÉRIE AR1



Les pièces de remplacement peuvent être commandées via notre site web. Veuillez nous visiter au [www.nutone.com](http://www.nutone.com)

HL0450

REPÈRE	N° DE PIÈCE	DESCRIPTION
1	SR740014	ADAPTATEUR/VOLET 3¼ PO X 10 PO
2	S99670656	INTERRUPTEUR D'ÉCLAIRAGE (AVEC ÉCROU)
3	S99670657	INTERRUPTEUR DU VENTILATEUR (AVEC ÉCROU)
4	S600348	BOUTON, NOIR (JEU DE 2)
	S600349	BOUTON, BLANC (JEU DE 2)
5	S98012130	COUVERCLE DE LA GRILLE
6	S99080777	ENSEMBLE VENTILATEUR (AVEC VIS)
7	S99010467	FILTRE D'ALUMINIUM
8	S98012127	COUVERCLE DU CÂBLAGE ÉLECTRIQUE
*	S97021380	FILTRE DE RECIRCULATION (INSTALLATION SANS CONDUIT SEULEMENT)
*	S99271677	SUPPORT D'AMPOULE AVEC FILS

### PIÈCES DE REMPLACEMENT ET SERVICE

Pour assurer le bon fonctionnement de votre appareil, vous devez toujours utiliser des pièces d'origine provenant de Broan-NuTone LLC. Les pièces d'origine de Broan-NuTone LLC sont spécialement conçues pour satisfaire toutes les normes de certification de sécurité applicables. Leur remplacement par des pièces ne provenant pas de Broan-NuTone LLC pourrait ne pas assurer la sécurité de l'appareil, entraîner une réduction sévère des performances ainsi qu'un risque de défaillance prématurée. Broan-NuTone LLC recommande également de toujours vous référer à une entreprise de services compétente et reconnue par Broan-NuTone LLC pour vos pièces de remplacement et appels de service.

\* Pièce non illustrée.

Commander par N° DE PIÈCE, NON par N° de REPÈRE.

## Garantie limitée

**Période de garantie et exclusions:** Broan NuTone LLC (la « Société ») ou Venmar Ventilation ULC et/ou son subsidiaire garantit au consommateur acheteur initial (« vous ») de son produit (le « Produit ») que celui-ci est exempt de tout vice de matériau ou de fabrication pour une période de un (1) an à compter de la date d'achat originale (ou toute période plus longue que pourrait exiger une loi applicable).

La période de la garantie limitée sur toute pièce de remplacement fournie par la Société et sur tout produit réparé ou remplacé en vertu de la présente garantie limitée correspond au reste de la période de garantie originale (ou toute période plus longue que pourrait exiger une loi applicable).

La présente garantie ne s'applique pas aux tubes fluorescents et aux démarreurs, ni aux ampoules halogènes ou incandescentes, fusibles, filtres, conduits, capuchons de toit, capuchons muraux et autres accessoires pour conduits pouvant avoir été achetés séparément et installés avec le produit. La présente garantie ne couvre pas (a) les travaux d'entretien et de service normaux, (b) l'usure normale, (c) tout produit ou toute pièce ayant fait l'objet d'une mauvaise utilisation, d'un abus, d'un usage anormal, d'une négligence, d'un accident, d'un entretien, rangement ou réparation inadéquats ou insuffisants (autre que par la Société), (d) les dommages dus à une mauvaise installation, ou à une installation ou utilisation contraires aux recommandations ou instructions, (e) tout produit déplacé de son lieu d'installation original, (f) les dommages dus à des éléments environnementaux ou naturels, (g) les dommages dus au transport, (h) l'usure naturelle du fini, (i) les produits utilisés à des fins commerciales ou non-résidentielles ou (j) les dommages dus à un incendie, à une inondation ou à un événement fortuit, (k) les produits dont les numéros de série ont été altérés, rendus illisibles ou enlevés. La présente garantie ne couvre que les produits vendus au consommateur initial aux États-Unis et au Canada par la Société ou par les distributeurs américains et canadiens autorisés par la Société.

La présente garantie remplace toute garantie précédente et le consommateur et acheteur initial ne peut la céder à quiconque.

**Aucune autre garantie:** La présente garantie limitée stipule les seules obligations de la Société et votre seul recours en cas de produits défectueux. La garantie ci-dessus est exclusive et remplace toute autre garantie, expresse ou tacite. **LA SOCIÉTÉ EXCLUT TOUTE AUTRE GARANTIE OU CONDITION EXPRESSE ET TOUTE GARANTIE OU CONDITION DÉCOULANT IMPLICITEMENT DE LA LOI, Y COMPRIS, SANS S'Y LIMITER, LES GARANTIES DE VALEUR MARCHANDE ET D'ADÉQUATION À UN USAGE PARTICULIER.** Dans la mesure où la loi en vigueur interdit l'exclusion des garanties tacites ou conditions, la durée de toute garantie tacite est limitée à la période stipulée ci-dessus pour la garantie expresse. Certains territoires ou provinces interdisant de limiter la durée d'une garantie tacite, la limitation ci-dessus peut ne pas s'appliquer à votre situation. Toute description verbale ou écrite du produit a pour seule fin de l'identifier et ne doit pas être interprétée comme une garantie expresse.

Si possible, chaque disposition de cette garantie limitée doit être interprétée de sorte à être en vigueur et valide en vertu des lois applicables, mais si une disposition s'avère interdite ou invalide, elle le sera seulement dans la mesure de cette interdiction ou invalidité, sans invalider le reste de cette disposition ni les autres dispositions de la présente garantie limitée.

**Recours:** Pendant la période de garantie limitée applicable, la Société pourra, à son choix, fournir des pièces de rechange ou réparer ou remplacer, sans frais, tout produit ou toute pièce, dans la mesure où la Société constate qu'il est couvert et contrevient à la présente garantie limitée dans des conditions normales d'utilisation et de service. La Société vous enverra gratuitement le produit réparé ou remplacé ou les pièces de rechange. Vous êtes responsable des frais de démontage, de remontage, d'expédition, d'assurance ou de tous autres frais de transport pour l'envoi du produit ou de la pièce à la Société. Si vous devez envoyer le produit ou la pièce à la Société, tel que la Société vous l'indiquera, vous devrez l'emballer correctement. La Société n'est pas responsable des dommages subis lors du transport. La Société se réserve le droit d'utiliser des produits ou des pièces remis en état, remis à neuf, réparés ou réusinés dans le processus de réparation ou de remplacement sous garantie. Lesdits produits ou pièces seront comparables en fonction et en performance aux produits et pièces d'origine et seront garantis pendant le reste de la période de garantie originale (ou toute période plus longue que pourrait exiger une loi applicable).

La Société se réserve le droit, à son entière discrétion, de vous rembourser le prix que vous avez payé pour votre produit en lieu et place d'une réparation ou d'un remplacement. Si le produit ou le composant n'est plus offert, il sera remplacé par un produit de valeur égale ou supérieure, à l'entière discrétion de la Société. Cette mesure constitue votre recours exclusif en cas de violation de cette garantie limitée.

**Exclusion de dommages:** L'OBLIGATION DE LA SOCIÉTÉ DE FOURNIR DES PIÈCES DE RECHANGE, OU DE RÉPARER OU REMPLACER LE PRODUIT, À SON CHOIX, CONSTITUE VOTRE SEUL ET UNIQUE RECOURS EN VERTU DE LA PRÉSENTE GARANTIE LIMITÉE ET LA SEULE ET UNIQUE OBLIGATION DE LA SOCIÉTÉ. **LA SOCIÉTÉ NE PEUT ÊTRE TENUE RESPONSABLE DE TOUT DOMMAGE INDIRECT, CONSÉCUTIF, ACCESSOIRE OU SPÉCIAL DÉCOULANT DE L'UTILISATION OU DU RENDEMENT DU PRODUIT.** Les dommages accessoires comprennent, sans pour autant y être limités, la perte de temps et la privation de jouissance. Les dommages indirects comprennent, sans pour autant y être limités, le coût de réparation ou de remplacement des autres biens endommagés par le mauvais fonctionnement du produit.

**LA SOCIÉTÉ NE POURRA ÊTRE TENUE RESPONSABLE EN RIEN, NI À TOUTES PERSONNES, DE TOUTE OBLIGATION OU RESPONSABILITÉ INCLUANT SANS S'Y LIMITER, LES OBLIGATIONS OU RESPONSABILITÉS ÉMANANT D'UN BRIS DE CONTRAT OU D'UNE VIOLATION DE GARANTIE, LA NÉGLIGENCE OU AUTRE FORME DE PRÉJUDICE, OU TOUT AUTRE THÉORIE DE STRICTE RESPONSABILITÉ CONCERNANT LE PRODUIT, LES ACTIONS, OMISSIONS OU AUTRE DE LA SOCIÉTÉ.**

Certains territoires ou provinces ne permettant pas la limitation ou l'exclusion des dommages indirects ou consécutifs, la limitation ci-dessus peut ne pas s'appliquer à votre situation. La présente garantie vous confère des droits spécifiques reconnus par la loi. D'autres droits pourraient également vous être accordés selon la législation locale en vigueur.

La présente garantie ne couvre que le remplacement ou la réparation des produits ou pièces défectueux à l'usine principale de la Société et ne comprend pas les frais de voyage et ni les dépenses quotidiennes pour une réparation à domicile.

Toute aide que la Société vous fournit en dehors des dispositions, limitations ou exclusions de cette garantie limitée ne constituera en rien une renonciation auxdites dispositions, limitations ou exclusions, et ne prolongera aucunement cette garantie pas plus qu'elle ne la remettra en vigueur. Les conditions, exclusions et les limitations de responsabilités au titre de la présente garantie ne s'appliqueront pas dans la mesure où toute loi applicable l'interdit.

La Société ne vous remboursera aucune dépense encourue par vous pour la réparation ou le remplacement de tout produit défectueux, sauf celles que vous avez encourues avec la permission écrite préalable de la Société.

**Comment bénéficier du service de garantie:** Pour vous prévaloir de cette garantie, vous devez (a) aviser la Société à l'adresse ou au numéro de téléphone indiqué ci-dessous dans les sept (7) jours du constat de la défectuosité couverte, (b) donner le numéro de modèle du produit et le numéro d'identification de la pièce et (c) décrire la nature de la défectuosité du produit ou de la pièce. Lors de votre demande de garantie, vous devez présenter une preuve de la date d'achat originale. Si vous ne pouvez pas fournir une copie écrite de la garantie limitée originale, les dispositions de la garantie limitée écrite la plus récente de la Société concernant ce produit particulier s'appliqueront. Vous trouverez les garanties limitées écrites les plus récentes des produits de la Société sur le site [www.nutone.com](http://www.nutone.com) et [www.nutone.ca](http://www.nutone.ca).

Broan-NuTone LLC 926 West State Street, Hartford, WI 53027 [www.nutone.com](http://www.nutone.com) 800-637-1453

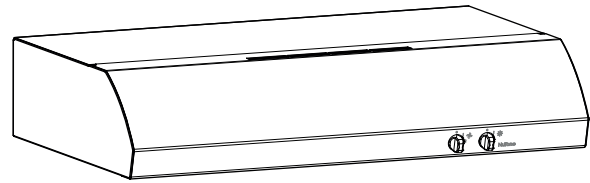
Venmar Ventilation ULC, 550 boul. Lemire, Drummondville, Québec, Canada J2C 7W9 [www.nutone.ca](http://www.nutone.ca) 1 877 896-1119

# NuTone®

EN EE.UU., REGISTRE SU  
PRODUCTO EN LÍNEA EN  
WWW.NUTONE.COM

EN CANADÁ, REGISTRE SU  
PRODUCTO EN LÍNEA EN  
WWW.NUTONE.CA

## CAMPANAS DE LA SERIE AR1 CON 4 CONFIGURACIONES



### LEA Y GUARDE ESTAS INSTRUCCIONES

**▲ DESTINADAS ÚNICAMENTE PARA COCINAS DOMÉSTICAS. ▲**

#### ADVERTENCIA ▲ ▲

**PARA REDUCIR EL RIESGO DE INCENDIO, CHOQUE ELECTRICO, O LESION A PERSONAS, PROCURE LO SIGUIENTE:**

1. Utilice este aparato sólo en la forma prevista por el fabricante. Si tiene preguntas, póngase en contacto con el fabricante en la dirección o número de teléfono indicados en la garantía.
2. Antes del mantenimiento o de la limpieza del aparato, apague la alimentación en el tablero de servicio y bloquee los medios de desconexión para evitar que se conecte la corriente accidentalmente. Cuando no se puedan bloquear los medios de desconexión de servicio, coloque firmemente un dispositivo de aviso visible, como una etiqueta, en el tablero de servicio.
3. Los trabajos de instalación y el cableado eléctrico han de ser realizados por personal cualificado, de conformidad con todos los códigos y normas aplicables, incluyendo los códigos y normas de construcción contra incendios.
4. Se necesita aire suficiente para una combustión adecuada y para sacar los gases por la chimenea del equipo que quema el combustible para evitar la contracorriente. Siga las directrices del fabricante del equipo de calefacción y las normas de seguridad, tales como las que publica la Asociación Nacional de Protección Contra Incendios (NFFPA) y la Sociedad Americana de Ingenieros de Calefacción, Refrigeración y Aire Acondicionado (ASHRAE) y las de las autoridades responsables del código local.
5. Al cortar o taladrar en la pared o en el techo, procure no dañar el cableado eléctrico ni otras instalaciones ocultas.
6. Las campanas con conductos deben tener siempre salida al exterior.
7. No use el aparato con un dispositivo de control de velocidad de semiconductores adicional.
8. Para reducir el riesgo de incendio, utilice sólo conductos metálicos.
9. Este aparato debe conectarse a tierra.
10. Cuando la reglamentación local aplicable sea más restrictiva en materia de instalación o certificación, dicha reglamentación prevalecerá sobre las exigencias de este manual y el instalador acepta atenerse a dicha reglamentación y asumir los gastos correspondientes.

#### PARA REDUCIR EL RIESGO DE QUE ARDA LA GRASA ACUMULADA SOBRE LA COCINA:

- a) No pierda nunca de vista las superficies sobre las que cocina a fuego fuerte. Los desbordamientos causan humo y derrames grasientos que pueden inflamarse. Caliente el aceite lentamente y a fuego lento o mediano.
- b) Encienda la campana siempre que cocine a fuego fuerte o al flambear alimentos (p. ej., Crepes Suzette, cerezas Jubilee, carne de res flambeada con pimienta).
- c) Limpie los ventiladores con frecuencia. No debe dejarse que se acumule la grasa en el ventilador, filtros o conductos de salida.
- d) Use sartenes, ollas y cacerolas del tamaño adecuado a las dimensiones de la placa eléctrica o fuego. Utilice siempre recipientes de cocina apropiados para el tamaño de la placa eléctrica o fuego.

#### ADVERTENCIA ▲ ▲

**PARA REDUCIR EL RIESGO DE LESIONES EN CASO DE INCENDIO DE LA COCINA, SIGA LAS SIGUIENTES INSTRUCCIONES\*:**

1. SOFOQUE LAS LLAMAS con una tapa bien ajustada, una bandeja metálica u hoja para hacer galletas y, a continuación, apague el quemador. TENGA CUIDADO DE NO QUEMARSE. Si las llamas NO SE APAGAN INMEDIATAMENTE, EVACÚE EL LUGAR INMEDIATAMENTE Y LLAME A LOS BOMBEROS.
2. NO TRATE NUNCA DE SUJETAR UNA SARTÉN EN LLAMAS: podría quemarse.
3. NO USE AGUA, ni trapos de cocina o toallas húmedos: esto podría causar una violenta explosión de vapor.
4. Use un extintor SÓLO si:
  - A. Tiene un extintor de tipo ABC y sabe cómo funciona.
  - B. El fuego es pequeño y se limita a la zona donde comenzó.
  - C. Ya llamó a los bomberos.
  - D. Puede combatir el fuego disponiendo de un lugar de salida a su espalda.

\* Basado en "Kitchen Fire Safety Tips" (consejos de seguridad contra incendios de cocina) publicado por la NFFPA.

#### PRECAUCIÓN ▲

1. Sólo para uso interior.
2. Sólo para ventilación general. No se debe usar para evacuar materias ni vapores peligrosos o explosivos.
3. Para evitar daños en los cojinetes del motor y que los ventiladores hagan ruido o se desequilibren, proteja el aparato del polvo de los paneles murales, del polvo de construcción, etc.
4. El motor de la campana tiene un dispositivo de sobrecarga térmica que apaga automáticamente el motor si se sobrecalienta. El motor volverá a funcionar cuando se enfríe. Si el motor sigue apagándose y encendiéndose, haga que un técnico examine la campana.
5. Para evacuar mejor los olores que se producen al cocinar, la parte inferior de la campana debe estar a una distancia mínima de 20" y a una distancia máxima de 25" por encima de la superficie sobre la que se cocina.
6. Para reducir el riesgo de incendio y expulsar el aire debidamente, compruebe que el aire vaya al exterior. No lleve el aire a espacios situados entre paredes, en el techo o en un desván, en sótanos pequeños ni en cocheras.
7. Para instalar, reparar o limpiar el aparato, se aconseja llevar lentes y guantes de seguridad.
8. Para más información sobre otras exigencias, lea la etiqueta de especificaciones que viene en el aparato.

**INSTALADOR: Deje este manual al propietario.**

**PROPIETARIO: Instrucciones para el uso y cuidado en la página 5.**

99046109B

## IMPORTANTE

Para una instalación sin conductos:

- Adquiera aparte un filtro sin conducto, modelo HPFR1.
- Retire y deseche el adaptador/compuerta y la placa de la rejilla (véase la etapa 3 en «Preparación de la campana» en la página 3).
- Siga todas las etapas excepto las que se encuentran entre líneas de puntos discontinuos.

Para una instalación con conductos:

Siga todas las etapas, incluso las que se encuentran entre líneas de puntos discontinuos, **excepto la etapa 3 en «Preparación de la campana» en la página 3.**

## HERRAMIENTAS Y MATERIALES QUE SE NECESITAN

### HERRAMIENTAS

- |   |   |
|---|---|
| <input type="checkbox"/> Taladro                  | <input type="checkbox"/> Destornillador plano y destornillador Phillips |
| <input type="checkbox"/> Broca para madera de 1¼" | <input type="checkbox"/> Cinta métrica o regla y lápiz                  |
| <input type="checkbox"/> Alicates                 |   |

### Para una instalación con conductos SOLAMENTE:

- Sierra recíprocante
- Tijeras de hojalatero

### MATERIALES

- Alambre y materiales eléctricos del tipo requerido por los códigos locales
- Capuchón mural o para tejado
- Calafateo o cemento para tejado
- Conductos metálicos y cinta adhesiva para conductos metálicos

Solamente para la instalación de armario de cocina empotrados en la parte inferior:

- Dos 1" x 2" x 12" tiras de madera (largo aproximado) (cómprelos localmente).
- Cuatro tornillos de cabeza plana para madera de 1¼" de largo (cómprelos localmente), para fijar las tiras de madera al armario

## PLANIFICACIÓN DE LA INSTALACIÓN DE LOS CONDUCTOS

Empiece por planificar por dónde pasará el conducto entre la campana y el exterior. Para obtener mejor rendimiento, instale una red de conductos lo más corta posible y con el menor número posible de codos. Hay varias opciones que aparecen en las - FIGS. 1A - 1F.

Si es necesario, una red con un conducto rectangular de 3¼" x 10" puede convertirse en una red con un conducto redondo mediante un cambio de sección.

**FIG. 1A.** Conductos directamente a través de la pared (para una campana adosada a una pared exterior).

Se muestran dos maneras de llevar el conducto hasta la pared exterior. Si se instala un capuchón mural directamente en la parte trasera de la campana, hay que asegurarse de que la compuerta en el adaptador/compuerta de la campana y la compuerta en el capuchón mural no interfieran entre sí cuando funciona la campana. Esto podría dar lugar a una evacuación inadecuada o al retorno del aire. Si se dan estas circunstancias, retire la solapa de la compuerta de la campana. A veces, cuando se usa un capuchón mural, es más fácil hacer pasar el conducto verticalmente y utilizar luego un codo como se muestra en la FIG. **FIG. 1B**.

**FIG. 1C.** Directamente hasta el techo con un conducto rectangular de 3¼" x 10". (Para instalaciones en viviendas de una sola planta).

**FIG. 1D.** Instalación entre las vigas del techo (para viviendas de varias plantas) o a través del espacio situado por encima de los armarios (si dicho espacio da a una pared exterior).

**FIG. 1E.** Directamente hasta el techo con un cambio de sección de 3¼" x 10" a 6" redondo y un conducto redondo de 6" (instalación en viviendas de una sola planta).

**FIG. 1F.** Directamente hasta el techo con un conducto redondo de 7" (instalación en viviendas de una sola planta).

FIG. 1A

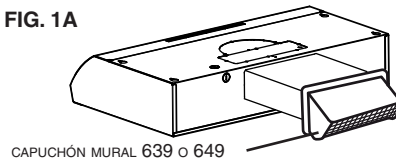


FIG. 1B

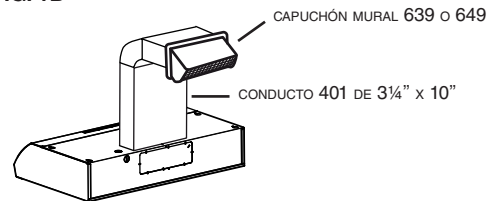


FIG. 1C

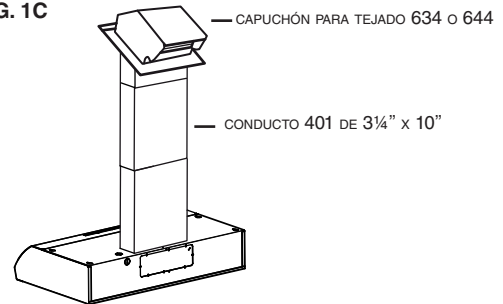


FIG. 1D

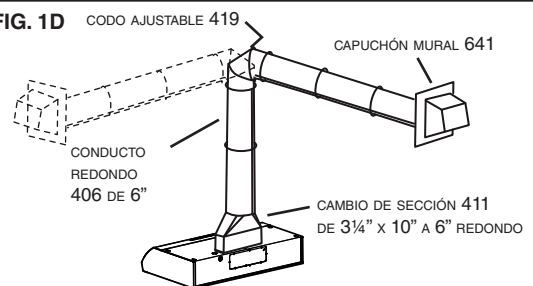


FIG. 1E

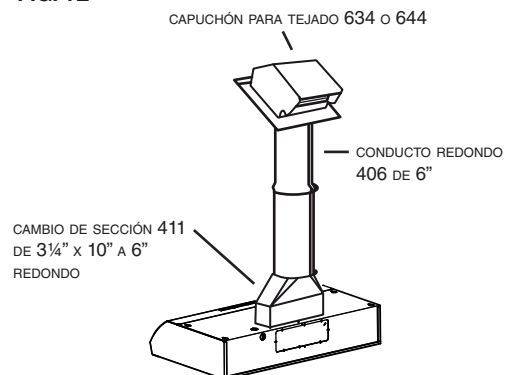
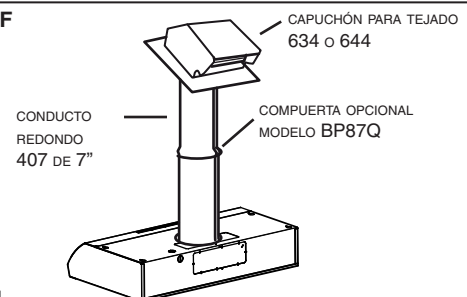


FIG. 1F



HJ0191



## PREPARACIÓN DE LA CAMPANA

- Desembale la campana y compruebe si están los siguientes elementos:
  - Filtro de aluminio
  - Adaptador/compuerta de 3¼" x 10" (situado dentro de la campana sólo para el envío) (conservar los tornillos).
- Retire la tapa de la caja de cableados. Debajo de la tapa encontrará la bolsa de piezas que contiene los tornillos.

### Instalación sin conducto únicamente

- Para una instalación sin conductos, retire el tornillo que sujeta la tapa de la rejilla desde el interior de la campana y, a continuación, saque la tapa de la campana y deséchela. (FIG. 3)

#### NOTA

La rejilla en la parte superior de la campana debe estar abierta y visible para que la campana funcione en modo sin conductos.

- Retire el orificio para el cable eléctrico de la parte superior o trasera de la campana, según si proviene del armario o de la pared (FIG. 4).

### INSTALACIÓN CON CONDUCTO ÚNICAMENTE

#### NOTA

NO debe retirarse la tapa de la rejilla para funcionar en modo con conducto.

- Retire el orificio troquelado apropiado para el conducto introduciendo la punta de un destornillador en el borde del orificio y rompiendo las pestañas que sujetan el troquelado a la campana. Quite la pieza de chapa troquelada con unos alicates. (FIG. 5)
- Para conductos de 3¼" x 10" únicamente: Instale el adaptador/compuerta sobre la abertura y fíjelo a la campana con los tornillos que retiró anteriormente en la sección PREPARACIÓN DE LA CAMPANA (FIG. 6).  
Las bisagras y el adaptador/compuerta deberían abrirse hacia la parte superior de la campana cuando la evacuación se realiza a través de la pared o hacia la parte trasera de la campana cuando la evacuación se realiza a través del armario. Selle la junta entre el adaptador/compuerta y la campana con cinta adhesiva para conductos.
- Conducto redondo de 7" únicamente: Instale entre 2 secciones de conducto, una compuerta redonda de 7" (se adquiere por separado). La compuerta debe abrir sin dificultad en la dirección del flujo de aire (hacia arriba).

## PREPARACIÓN DEL LUGAR DE LA INSTALACIÓN

#### NOTA

INSTALE LA CAMPANA DE FORMA QUE SU BASE SE SITÚE 20"-25" POR ENCIMA DE LA SUPERFICIE SOBRE LA QUE SE COCINA.

OMITA LA ETAPA 8 si se instala la campana debajo de un armario con fondo raso

- (Para instalación en armarios con fondo empotrado únicamente). Fije una regleta de relleno de madera a cada lado de la zona empotrada debajo del armario. (Utilice dos regletas de 1" x 2" de longitud apropiada). Si el hueco es superior a 1", utilice regletas más gruesas. Sujete las regletas con tornillos de 1¼" a unos 3" de cada extremo. Véase la FIG. 7.
- Mida y marque el lugar de las aberturas siguientes (FIG. 7 y FIG. 8):
  - Abertura para cable de alimentación
  - Abertura para conducto
- Taladre cuatro agujeros piloto en las esquinas de la abertura del conducto marcada como se muestra y corte la abertura con una sierra de pañal o con un serrucho de calar.
- Utilice una broca de 1¼" para taladrar la abertura para la conexión eléctrica en la pared o en el armario.
- Sujete la campana contra la parte inferior del armario y trace los agujeros en forma de cerradura en la parte inferior del armario o en las regletas.
- Ponga los cuatro tornillos para madera de 7/8" provistos para colocar la campana en el centro exacto de la sección estrecha de los agujeros en forma de cerradura marcados en la parte inferior del armario. Los tornillos deben sobrepasar 3/8" para poder colocar la campana.

FIG. 2

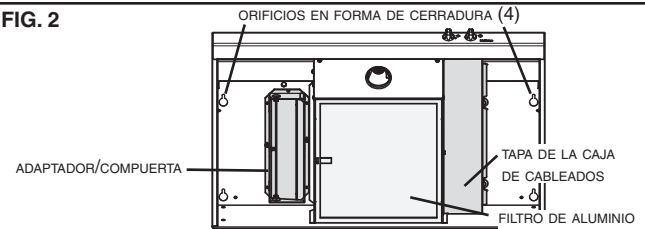


FIG. 3

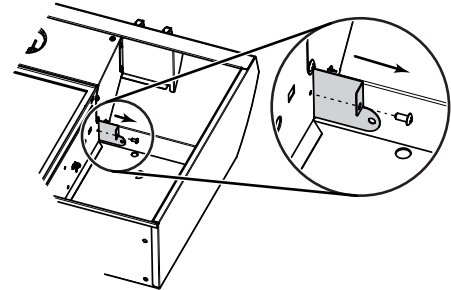


FIG. 4

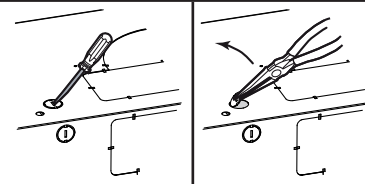


FIG. 5

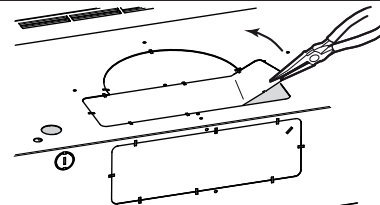


FIG. 6

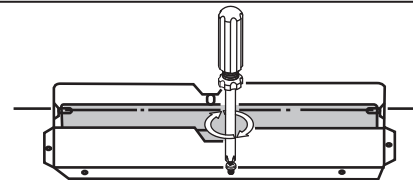


FIG. 7

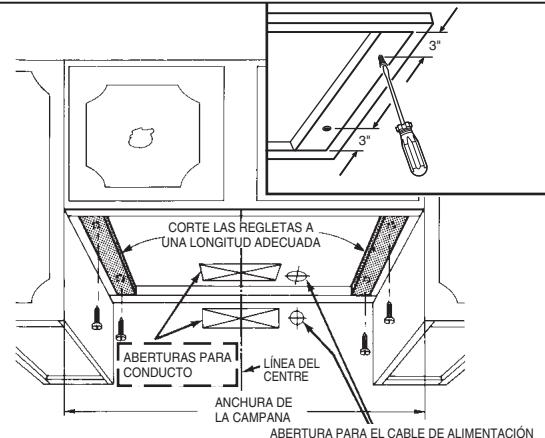
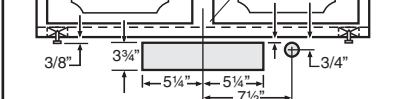


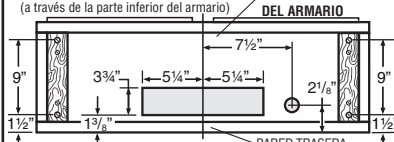
FIG. 8 CONDUCTO DE 3¼" x 10"

CONDUCTO Y CABLEADO PARTE DELANTERA DEL ARMARIO

HORIZONTALES (a través de la pared)

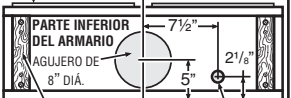


CONDUCTO Y CABLEADO VERTICALES (a través de la parte inferior del armario)



CONDUCTO REDONDO DE 7"

PARTE DELANTERA DEL ARMARIO



CUÑAS DE MADERA (armarios empotrados únicamente)  
AGUJERO PARA CABLE DE ALIMENTACIÓN (en la parte inferior del armario)

HM0009E

## INSTALACIÓN DEL CONDUCTO

### NOTA

ESTAS INSTRUCCIONES SEGUIRÁN LOS PLANES EXPUESTOS EN LA PÁGINA 1. COMIENCE EN EL EXTERIOR Y LLEVE EL CONDUCTO HASTA LA CAMPANA.

PARA OBTENER MEJOR RENDIMIENTO DE LA CAMPANA, INSTALE UNA RED DE CONDUCTOS LO MÁS CORTA POSIBLE Y CON EL MENOR NÚMERO POSIBLE DE CODOS.

NO DESCARGUEN UN CAIRE DE UNA CAMPANA EN UN DESVÁN O ALTILLO PORQUE LA ACUMULACIÓN DE GRASA SE CONVERTIRÁ EN UN PELIGRO DE INCENDIO.

UTILICE SÓLO CONDUCTOS METÁLICOS (NO UTILICE CONDUCTOS DE PLÁSTICO). MONTE LOS CONDUCTOS DE FORMA SEGURA DE MANERA QUE, EN CASO DE INCENDIO DEBIDO A LA ACUMULACIÓN DE GRASA EN LA SUPERFICIE SOBRE LA QUE SE COCINA, EL FUEGO PUEDA SER CONTENIDO DENTRO DE LOS CONDUCTOS METÁLICOS.

SE ACONSEJA SELLAR TODAS LAS CONEXIONES DE LOS CONDUCTOS CON CINTA ADHESIVA METÁLICA PARA QUE SEAN MÁS SEGURAS Y HERMÉTICAS.

14. Siga las instrucciones adecuadas que se exponen a continuación para el tipo de red de conductos que va a instalar:

### CAPUCHÓN MURAL (FIG. 9)

Utilice una sierra de puñal para cortar un agujero un poco mayor que el conducto de forma que el conducto se alinee fácilmente con la campana. Instale las tiras de revestimiento sobre las paredes exteriores terminadas en el recubrimiento exterior. Ensamble los conductos y cubra con cinta adhesiva todas las juntas. Lleve los conductos a la campana. Sujete el capuchón mural a la última sección del conducto y clave o atornille el capuchón a la pared. Selle el contorno del capuchón con un producto para calafateo para uso exterior. Asegúrese de que el conducto que entra en la pieza sea lo suficiente largo para que, una vez instalada la campana, su adaptador/compuerta encaje 3/4" en el interior del conducto.

### CAPUCHÓN PARA TEJADO

Corte un agujero en el tejado un poco mayor que el conducto de forma que el conducto se alinee fácilmente con la campana. Recorte los tejamaniles alrededor del agujero para un ajuste perfecto alrededor del capuchón una vez instalado. Ensamble los conductos y cubra con cinta adhesiva todas las juntas. Lleve los conductos hacia la campana. Recorte el extremo del conducto paralelamente a la inclinación del tejado, de forma que sobrepase 3/4" del tejado. Selle todo el contorno del conducto con cemento para tejados. Instale el capuchón para tejado introduciendo el borde posterior del capuchón debajo de los tejamaniles. Selle el contorno del capuchón con cemento para tejados y selle todas las cabezas de los clavos y los tejamaniles que se cortaron o levantaron. Asegúrese de que el conducto que entra en la pieza sea lo suficiente largo para que, una vez instalada la campana, su adaptador/compuerta encaje 3/4" en el interior del conducto.

FIG. 9

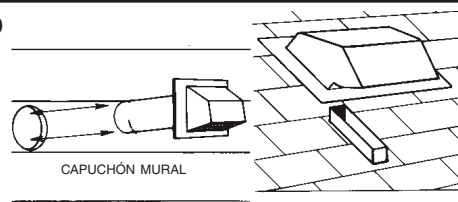


FIG. 10

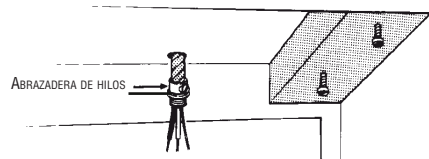


FIG. 11

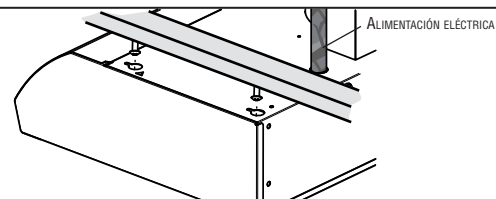


FIG. 12

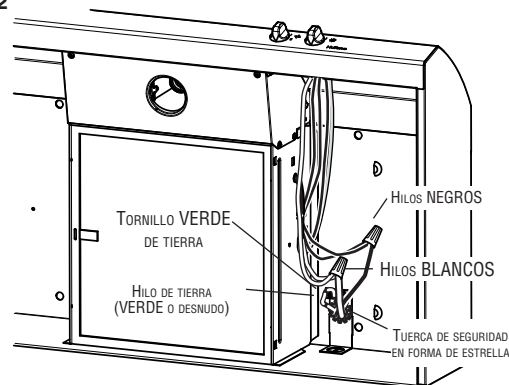
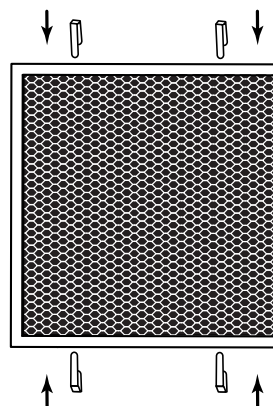


FIG. 13



HM0010

## INSTALACIÓN DE LA CAMPANA

15. Pase el cable de alimentación eléctrica por el agujero taladrado en la pared o en la parte inferior del armario. Prevea 6" de longitud e instale un conector adecuado para el tipo de cable utilizado. Retire la tuerca de seguridad del conector para que el cable esté listo para ser introducido en la campana. (FIG. 10)

16. Coloque la campana en su sitio de modo que:

- El cable de alimentación entre en la campana por su abertura. Esta etapa se lleva a cabo al colocar la campana en su lugar. (FIG. 11)
- Los tornillos de montaje ya instalados en la parte inferior del armario se introduzcan en la parte grande de los agujeros en forma de cerradura de la campana. (FIG. 11)
- El adaptador/compuerta (de haberlo) se introduzca en el conducto de la pared o en el conducto del armario.

17. Apriete firmemente los cuatro tornillos de montaje de la campana.

18. Instale la tuerca de seguridad en el conector eléctrico y apriétela firmemente.

19. Efectúe la conexión eléctrica mediante los capuchones de conexión de hilos y conecte el hilo BLANCO con los BLANCOS, el NEGRO con los NEGROS y el hilo VERDE o desnudo con el tornillo VERDE de puesta a tierra provisto (FIG. 12)

20. Vuelva a colocar en su sitio y a atornillar la tapa de cableados procurando no aplastar los hilos.

### NOTA

Instalación sin conducto únicamente:

Retire el filtro de aluminio de la campana. Sujete el filtro sin conducto (pieza n.º S97021380; se vende aparte) en la parte posterior del filtro de aluminio (por el lado sin lengüeta), utilizando los 4 clips provistos (FIG. 13).

Vuelva a instalar el filtro de aluminio.

## USO Y CUIDADO

### BOTONES DE CONTROL

El botón derecho permite controlar la luz y el izquierdo el ventilador.

**Luz:** Gire el botón de la luz en el SENTIDO DE LAS AGUJAS DEL RELOJ para ENCENDER la luz. Gire el botón de la luz en el SENTIDO CONTRARIO A LAS AGUJAS DEL RELOJ para APAGAR la luz.

**Ventilador:** Gire el botón del ventilador en el SENTIDO DEL GIRO DE LAS AGUJAS DEL RELOJ para poner en marcha el ventilador a velocidad BAJA. Si se sigue GIRANDO EL BOTÓN EN EL MISMO SENTIDO, el ventilador pasará a velocidad ALTA. Gire el botón COMPLETAMENTE EN SENTIDO CONTRARIO A LAS AGUJAS DEL RELOJ (más allá de la velocidad baja) para APAGAR el ventilador.

### LIMPIEZA

Limpie las superficies de la campana con un detergente suave idóneo para superficies pintadas.

El filtro de aluminio debe limpiarse con frecuencia. Utilice una solución de agua caliente con detergente lavavajillas. Limpie el filtro totalmente metálico con un detergente sin fosfato. Si se usan detergentes con fosfatos, los filtros pueden descolorarse; las condiciones del agua también pueden descolorar los filtros, pero esto no afectará su rendimiento. Esta descoloración no está cubierta por la garantía. Para minimizar o prevenir la descoloración, lave a mano los filtros con un detergente suave.

### EXTRACCIÓN DEL FILTRO

Quite el filtro tirando de su pestaña de plástico.

### SUSTITUCIÓN DE LA BOMBILLA

La bombilla (que no viene con la campana) debe ser HALÓGENA o LED, pero siempre con una base de tipo GU10. Alinee las guías de la bombilla con las pequeñas hendiduras situadas en el borde de la ubicación de la bombilla en la campana (véase el recuadro en la FIG. 14) y, a continuación, instale la bombilla colocando las guías en sus ranuras en el casquillo. Empuje suavemente hacia arriba y gire en el sentido de las agujas del reloj hasta que quede fija. NOTA: No doble la placa (en gris en la FIG. 14) situada en la caja de la bombilla. Empuje suavemente hacia arriba y gire en el sentido de las agujas del reloj hasta que quede fija.

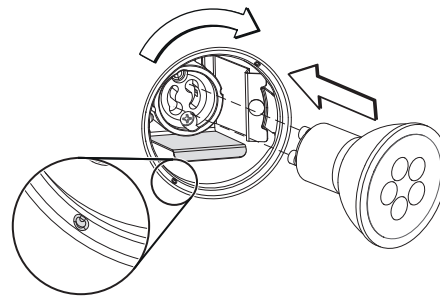
**Bombilla halógena:** Bombilla halógena protegida, base GU10, 50 vatios máximo

#### ⚠ ADVERTENCIA

No toque la bombilla cuando este encendida o poco después de apagarla. Podría quemarse. Para evitar el riesgo de lesiones personales, instale únicamente una bombilla halógena protegida. Asimismo, no instale nunca una lámpara de haz de luz frío, una lámpara dicróica o una lámpara no adecuada para luces encastradas o destinadas a instalaciones cerradas.

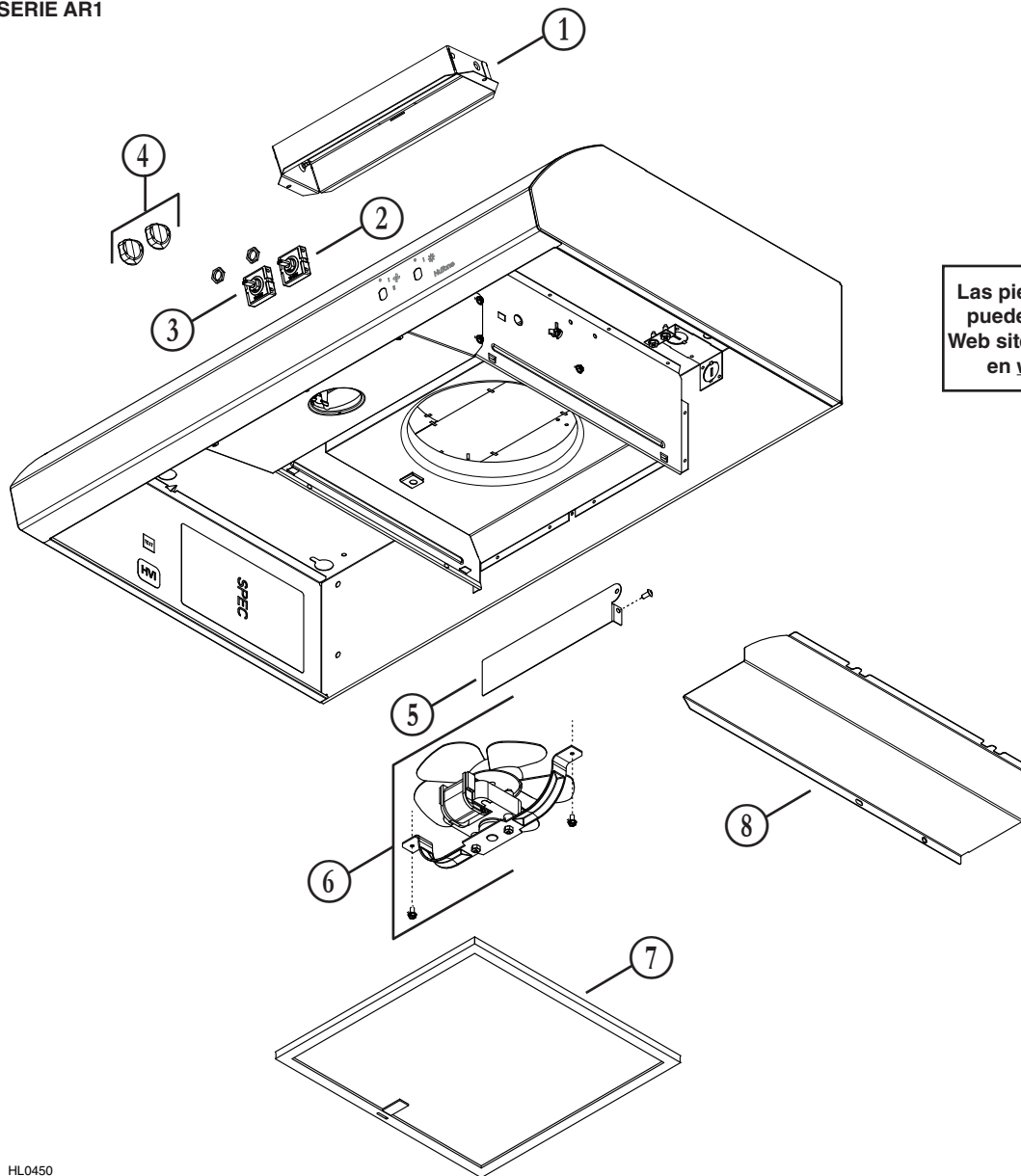
**Bombilla LED:** 7 vatios máximo, base GU10.

FIG. 14



# PIEZAS DE RECAMBIO

CAMPANA DE SERIE AR1



Las piezas de recambio se pueden pedir en nuestro Web site. Visítenos por favor en [www.nutone.com](http://www.nutone.com)

HL0450

CLAVE N.º	Nº DE PIEZA	DESCRIPCIÓN
1	SR740014	ADAPTADOR/COMPUERTA 3¼" X 10"
2	S99670656	INTERRUPTOR DE LA LUZ (CON TUERCA)
3	S99670657	INTERRUPTOR DEL VENTILADOR (CON TUERCA)
4	S600348	BOTÓN, NEGRO (JUEGO DE 2)
	S600349	BOTÓN, BLANCO (JUEGO DE 2)
5	S98012130	CUBERTA DE REJILLA
6	S99080777	CONJUNTO DL VENTILADOR (CON TORNILLOS)
7	S99010467	FILTRO DE ALUMINIO
8	S98012127	TAPA DE LA CAJA DE CABLEADOS
*	S97021380	FILTRO SIN CONDUCTO (INSTALACIÓN SIN CONDUCTO ÚNICAMENTE)
*	S99271677	PORTAFOCO CON HILOS

## REPUESTOS Y REPARACIONES

Para que el aparato esté en buenas condiciones, sólo debe utilizar repuestos Broan-NuTone LLC genuinos. Los repuestos Broan-NuTone LLC genuinos han sido diseñados especialmente para cada aparato, han sido fabricados de conformidad con todas las normas de certificación aplicables y ofrecen un alto nivel de seguridad. El uso de repuestos diferentes puede provocar daños graves y reducir drásticamente el nivel de rendimiento del aparato, lo cual podría causar una avería prematura. Broan-NuTone LLC recomienda ponerse en contacto con un almacén de servicio certificado para todos los repuestos y reparaciones.

\* No ilustrado.

Encargue piezas de recambio por N.º DE piezas, NO por Nº de CLAVE.

## Garantía limitada

**Periodo y exclusiones de la garantía:** Broan-NuTone LLC o Venmar Ventilation ULC (sea esta la “Compañía”) garantiza al consumidor comprador original de su producto (“usted”) el producto (el “Producto”) estará libre de defectos en materiales o en mano de obra, por un periodo de un (1) año a partir de la fecha de compra original (o por un periodo mayor según sea requerido por la legislación aplicable).

El periodo de garantía limitada para cualquier pieza de repuesto proporcionada por la compañía y para cualquier Producto reparado o reemplazado bajo esta garantía limitada debe ser lo que reste del periodo de garantía original (o por un periodo mayor según sea requerido por la legislación aplicable).

Esta garantía no cubre arrancadores de lámparas fluorescentes, tubos, bombillas de halógeno e incandescentes, fusibles, filtros, conductos, tapas de techo, tapas de pared ni otros accesorios que pudieran ser comprados por separado e instalados con el producto. Esta garantía tampoco cubre (a) mantenimiento y servicio normal, (b) uso y desgaste normal, (c) Productos o piezas sujetos a mal uso, abuso, uso anormal, negligencia, accidente, mantenimiento inadecuado o insuficiente, almacenamiento o reparación (que no sea reparación por parte de la Compañía), (d) daños causados por instalación defectuosa, o bien instalación o uso contrario a las recomendaciones o instrucciones, (e) cualquier Producto que se haya movido de su punto de instalación original, (f) daños ocasionados por el medio ambiente o los elementos naturales, (g) daños en tránsito, (h) desgaste natural del acabado, (i) Productos en uso comercial o no residencial, o (j) daños ocasionados por incendio, inundación u otro caso fortuito o (k) Productos con un número de serie alterado, removido o mutilado. Esta garantía cubre solamente Productos vendidos a clientes originales en los Estados Unidos y Canadá por la Compañía o a distribuidores de EE. UU. y Canadá autorizados por la Compañía.

Esta garantía sustituye todas las garantías anteriores y no es transferible del comprador consumidor original.

**No hay otras garantías:** Esta garantía limitada contiene la única obligación de la Compañía y su único recurso ante productos defectuosos. Las garantías anteriores son exclusivas y en lugar de cualquier otra garantía, expresa o implícita. **LA COMPAÑÍA NIEGA Y EXCLUYE CUALQUIER OTRA GARANTÍA EXPRESA, Y NIEGA Y EXCLUYE TODAS LAS GARANTÍAS IMPLÍCITAS, CONDICIONES Y ESTIPULACIONES IMPLÍCITAS POR LEY, INCLUYENDO, ENTRE OTRAS, LAS DE COMERCIALIZACIÓN Y APTITUD PARA UN PROPÓSITO EN PARTICULAR.** Hasta el grado en que la ley aplicable prohíba la exclusión de las garantías implícitas, condiciones y estipulaciones, la duración de cualquier garantía implícita aplicable está limitada al periodo especificado para la garantía expresa antes mencionada. Algunas jurisdicciones no permiten limitaciones en la duración de una garantía implícita, así que la limitación anterior tal vez no aplique en su caso. Cualquier descripción verbal o escrita del Producto es para el único propósito de identificarlo y no deberá considerarse como una garantía expresa.

Siempre que sea posible, toda disposición de esta garantía limitada deberá ser interpretada de tal forma que sea efectiva y válida de conformidad con la ley aplicable, pero si alguna disposición fuera considerada prohibida o inválida, quedará sin efecto solo en virtud de dicha prohibición o invalidez, sin invalidar el resto de dicha disposición o las demás disposiciones restantes de la garantía limitada.

**Recurso:** Durante el periodo de garantía limitada aplicable, la Compañía, a su opción, suministrará piezas de repuesto, o reparará o reemplazará, sin cargo alguno, cualquier Producto o pieza del mismo, hasta el grado en que la Compañía lo encuentre cubierto bajo esta garantía limitada y en incumplimiento de la misma en condiciones normales de uso y servicio. La Compañía le enviará el Producto reparado o reemplazado o las piezas de repuesto sin cargo. Usted es responsable de todos los costos de retiro, reinstalación y envío, seguro u otros cargos de flete incurridos en el envío del Producto o pieza a la Compañía. Si debe enviar el Producto o la pieza a la Compañía, tal como lo indique la Compañía, debe empaquetar adecuadamente el Producto o la pieza: la Compañía no se hace responsable por los daños en tránsito. La Compañía se reserva el derecho de utilizar Productos o piezas reacondicionados, renovados, reparados o refabricados en el proceso de reemplazo o reparación de garantía. Dichos Productos y piezas serán comparables en función y desempeño a un Producto o una pieza original y tendrán garantía durante el resto del periodo de la garantía original (o por un periodo mayor según sea requerido por la legislación aplicable).

La Compañía se reserva el derecho, a su sola discreción, a devolver el dinero que pagó por el Producto en lugar de la reparación o sustitución. Si el producto o componente ya no está disponible o esta descontinuado, el reemplazo podrá ser efectuado por un producto similar de igual o mayor valor, a criterio exclusivo de la Compañía. Este es su único y exclusivo recurso por incumplimiento de esta garantía limitada.

**Exclusión de daños:** **LA OBLIGACIÓN DE LA COMPAÑÍA DE SUMINISTRAR PIEZAS DE REPUESTO, O DE REPARAR O REEMPLAZAR, A OPCIÓN DE LA COMPAÑÍA, SERÁ SU ÚNICO Y EXCLUSIVO RECURSO BAJO ESTA GARANTÍA LIMITADA, Y LA ÚNICA Y EXCLUSIVA OBLIGACIÓN DE LA COMPAÑÍA. LA COMPAÑÍA NO SERÁ RESPONSABLE POR DAÑOS INCIDENTALES, INDIRECTOS, RESULTANTES O ESPECIALES QUE SURJAN POR EL USO O DESEMPEÑO DEL PRODUCTO, O EN RELACIÓN CON EL MISMO.** Los daños incidentales incluyen pero no se limitan a daños tales como pérdida de uso. Los daños consecuentes incluyen pero no se limitan a los gastos de reparación o sustitución de otra propiedad que fue dañada si el Producto no funcionase apropiadamente.

**LA COMPAÑÍA NE SERÁ RESPONSABLE ANTE USTED, NI NINGÚN DERECHOHABIENTE, DE CUALQUIER OTRA OBLIGACIÓN O RESPONSABILIDAD INCLUYENDO, PERO NO LIMITADO A, OBLIGACIONES O RESPONSABILIDADES DERIVADAS DEL INCUMPLIMIENTO DE CONTRATO O GARANTÍA, NEGLIGENCIA U OTRO AGRAVIO O CUALQUIER TEORÍA DE RESPONSABILIDAD OBJETIVA, CON RESPECTO AL PRODUCTO O ACTOS U OMISIONES DE LA COMPAÑÍA DE CUALQUIER OTRA FORMA.**

Algunas jurisdicciones no permiten la exclusión o limitación de daños incidentales o resultantes, por lo que la limitación antes mencionada podría no aplicarse a usted. Esta garantía le otorga derechos legales específicos, y usted podría tener otros derechos que varían de jurisdicción a jurisdicción. Las aclaraciones, exclusiones y limitaciones de responsabilidad bajo esta garantía no aplicarán en la medida que lo prohiban las leyes aplicables.

Esta garantía cubre únicamente el reemplazo o la reparación de Productos defectuosos o piezas de los mismos en la planta principal de la Compañía, y no incluye el costo del viaje para el servicio de campo ni los viáticos.

Cualquier asistencia que proporcione o procure la Compañía para usted fuera de los términos, limitaciones o exclusiones de esta garantía limitada no constituirá una renuncia a dichos términos, limitaciones o exclusiones, ni dicha asistencia extenderá o renovará la garantía.

La Compañía no le reembolsará ningún gasto en el que usted haya incurrido al reparar o reemplazar cualquier Producto defectuoso, excepto los incurridos con el permiso previo por escrito de la Compañía.

**Cómo obtener el servicio cubierto por la garantía:** Para tener derecho al servicio cubierto por la garantía, usted debe (a) notificar a la Compañía a la dirección o número de teléfono que aparecen abajo en un plazo de siete (7) días después de descubrir el defecto cubierto, (b) proporcionar el número de modelo y la identificación de la pieza y (c) describir la naturaleza de cualquier defecto en el Producto o la pieza. En el momento de solicitar el servicio cubierto por la garantía, debe presentar un comprobante de la fecha de compra original. Si usted no puede presentar una copia de la garantía limitada original por escrito, entonces regirán los términos de la garantía limitada por escrito más actualizada de la compañía para su producto en particular. Las garantías limitadas por escrito más actualizadas para los productos de la Compañía se pueden encontrar en [www.broan.com](http://www.broan.com) y [www.broan.ca](http://www.broan.ca)

Broan-NuTone LLC 926 West State Street, Hartford, WI 53027 [www.nutone.com](http://www.nutone.com) 800-637-1453

Venmar Ventilation ULC, 550 Lemire Blvd., Drummondville, Québec, Canada J2C 7W9 [www.nutone.ca](http://www.nutone.ca) 1-877-896-1119