

# SPEAKMAN® SB-1721-E

## Chelsea™ Widespread Faucet

### FEATURES:

- Lead-free brass construction
- Two, sculpted lever handles
- 1.2 gpm (4.5 L/min) flow rate
- 1/4 turn ceramic cartridges
- Quick connect fittings
- Includes pop-up drain assembly

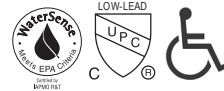
### COMPLIANCE:

- ASME A112.18.1/CSA B125.1 certified
- NSF 61 certified
- WaterSense certified
- NSF 372 certified
- Meets ADA

### FINISH:



PC BN

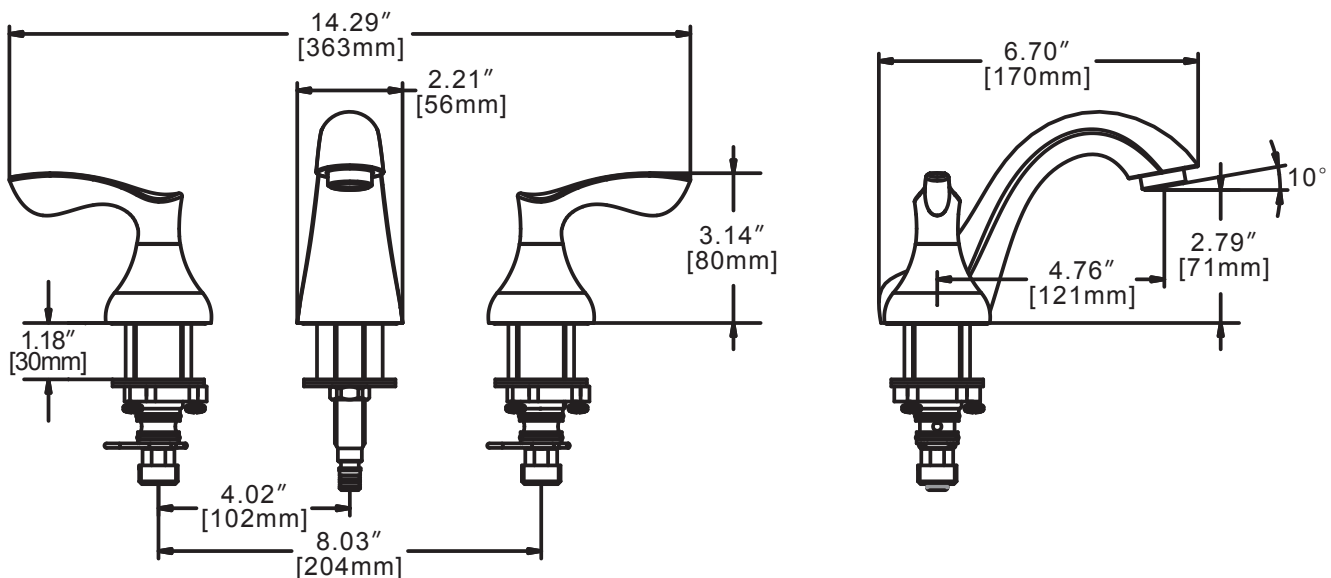


### WARRANTY:

- Limited Lifetime Warranty (consumer use)
- 1 Year Limited (commercial use)

### DIMENSIONS:

NOTE: 1. All dimensions are in inches (millimeters) unless otherwise specified and are subject to change without notice.



Architect/Engineer Approval Space:

SPEAKMAN  
400 ANCHOR MILL ROAD  
NEW CASTLE, DE 19720

P: 800-537-2107  
F: 800-977-2747  
W: WWW.SPEAKMAN.COM  
R: OCTOBER 2017