

SPEAKMAN SENSORFLO™

4" Lavatory Faucet S-9010 & S-9020

SPECIFICATION



FEATURES:

- Vandal-resistant and Easy Maintenance
- Components housed above counter
- Integral hot and cold mixing valves
- Hot and cold check valves and filters
- Pre-assembled
- All metal housing
- 0.5 gpm (1.9 L/min) and 1.5 gpm (5.7 L/min) flow controls
- 60 second flow time out feature
- Cap provided for tempered water installation
- Lead free brass construction standard for S-9010

MODELS:

S-9010 Battery Powered

S-9020 AC Powered



COMPLIANCE:

- Meets ASME A112.18.1/CSA B125.1 and WaterSense Standards
- ADA compliant

OPTIONS:

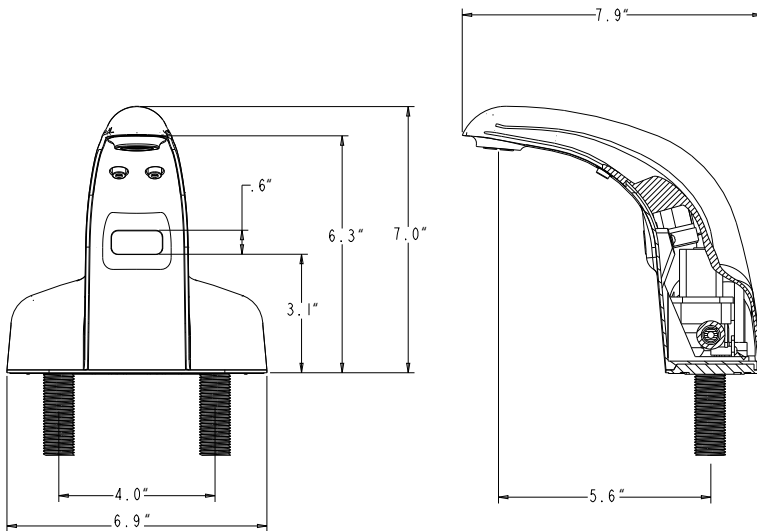
ADD SUFFIX TO MODEL #

- NO LEAD CA AB1953 COMPLIANCE (S-9010 ONLY) -CA**
- TWO (2) STAINLESS STEEL FLEX SUPPLY HOSES -HS
- ONE (1) STAINLESS STEEL HOSE FOR TEMPERED WATER SYSTEMS -HTS
- 1.5 GPM NON-AERATED OUTLET – LAMINAR FLOW -LF
- LESS TRANSFORMER (S-9020 ONLY) -LT
- UNDER COUNTER THERMOSTATIC MIXING VALVE -TMV-CA
- VANDAL-RESISTANT SCREWS FOR REMOVABLE COVER AND CUSTOM WRENCH -VRS

WARRANTY:

- 1 year limited

** The following options are not available with the "CA" option:
HS (Hose & Spray), SO, TWI, VB6, VB8, ST, SW, & TMV.



THIS SPACE FOR ARCHITECT/ENGINEER APPROVAL.

SPEAKMAN®

P: 800-537-2107 | F: 800-977-2747
WWW.SPEAKMANCOMPANY.COM



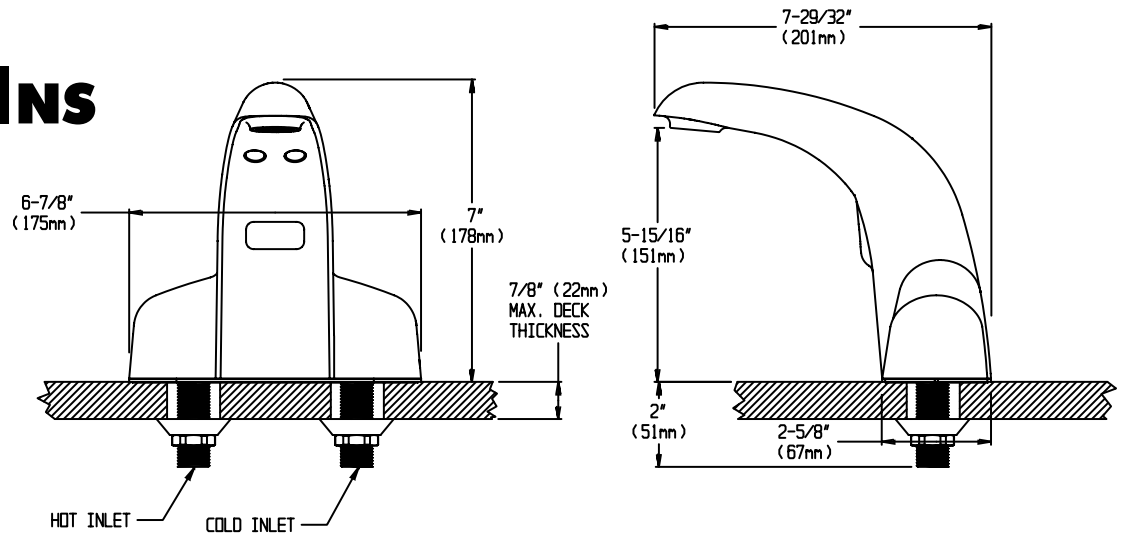
Management Systems

Registered to ISO 9001

REVISION DATE: FEB. 2012

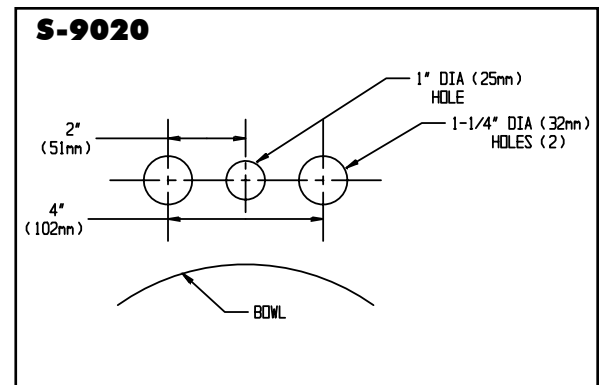
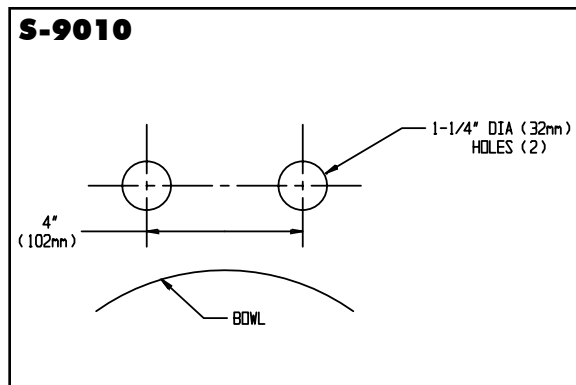
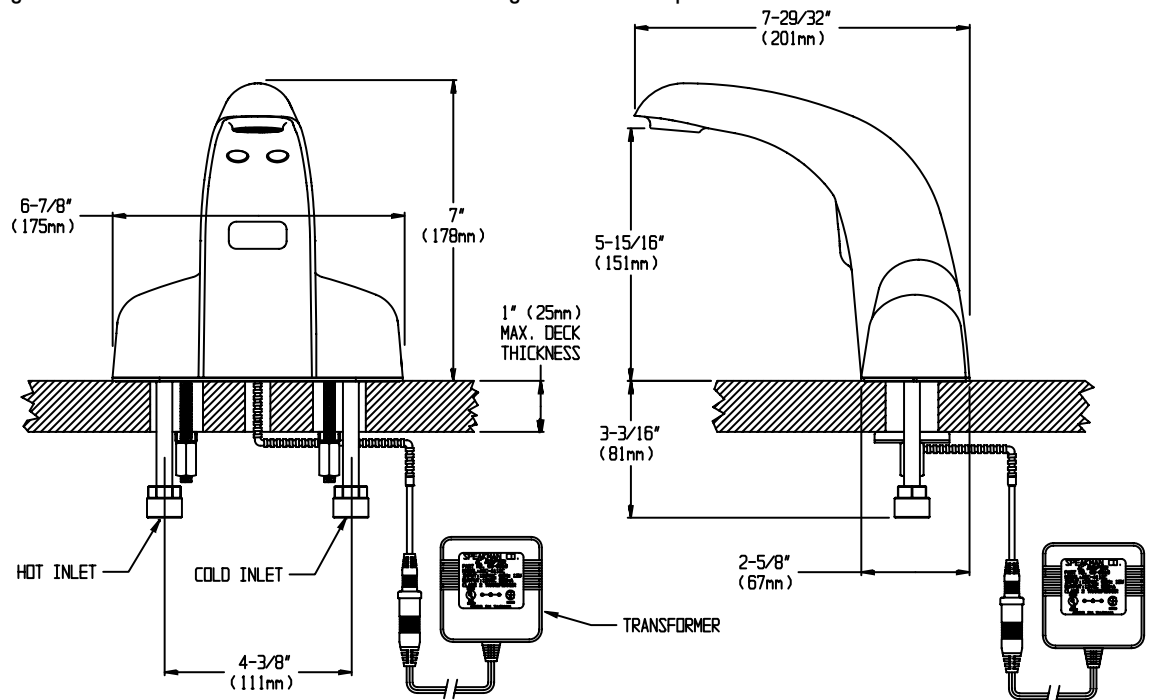
Rough-Ins

S-9010



NOTE: Unless otherwise specified, all inlets are sized for either coupling or sweat connections. Unless otherwise specified, all dimensions are in inches and are subject to change without notice. Position faucet as close to the edge of the sink as possible.

S-9020



NOTE: Unless otherwise specified, all inlets are 3/8 compression with male threads. Unless otherwise specified, all dimensions are in inches and are subject to change without notice. Position faucet as close to the edge of the sink as possible.