



Veritek® NEO Angle Shower Pans With Fit-Flo™ Drain

Manufactured from Veritek®
(See page 2 for detailed information.)

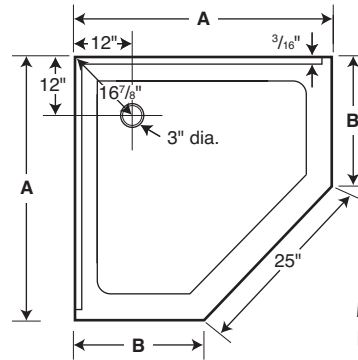
WARRANTY
Limited Lifetime – Residential
Limited 5-year – Commercial

FEATURES

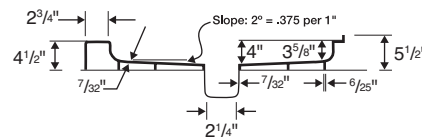
- Will not mold or mildew, no grout to clean.
- Coordinates with other Swanstone or Veritek® products.
- Pebbled, slip-resistant surface.
- Made of Veritek® with no surface coating to chip or crack.

Model	Nominal Size	Rough-In Dimensions			
		A	B	25"	12"
R-36NEO	36" x 36"	36-1/8"	18-3/16"	25-1/8"	12-3/16"
R-38NEO	38" x 38"	38-1/8"	20-3/16"	25-1/8"	12-3/16"

IMPORTANT: Rough-in dimensions are provided for reference only. You must measure the actual shower pan and check local building code requirements before construction of the stud wall.



Model	A	B
R-36 NEO	36" 18"	
R-38 NEO	38" 20"	



SPECIFICATIONS

Veritek® NEO Angle Shower Pans With Fit-Flo™ Drain

Model	Part	Nominal Size Dimensions	Ship Wt. Lb.	Ship FedEx	Carton Dims. In.	Cu. Ft.
R-36NEO	FN00036MD	36" D x 36" W (914 mm x 914 mm)	40	-	42 x 42 x 10	11
R-38NEO	FN00038MD	38" D x 38" W (965 mm x 965 mm)	44	-	44 x 43 x 10	11

Includes: One code-approved compression-molded Veritek® shower pan with molded-in Fit-Flo drain.

Packaging: Each pan packed in a rectangular carton.

COLORS

Solid Colors:

- White (010)
- Bisque (018)
- Bone (037)

STANDARDS AND RATINGS

American National Standard Institute—ANSI Z124.1.2
International Association of Plumbing and Mechanical Officials (IAPMO)—Listed
CSA Standard B45.5 by IAPMO
Uniform Plumbing Code (UPC)

For a complete list of tests and results see the Technical Data Sheet.

SUPPORT DOCUMENTS

Installation instructions available at swanstone.com.

MAINTENANCE AND CLEANING INFORMATION

Clean regularly with common household liquid cleaners and a sponge or soft cloth. For hard water stains, scale removers can be used. If necessary, abrasive cleaners can be used with a nylon brush or pad to remove build up on the shower pan surface. **Do not** use a metal-scouring pad or a wire brush, as it will damage the surface. **Do not** use "leave on" cleaning products, such as automatic spray shower cleaners. Prolonged contact with harsh chemicals could have an adverse reaction over time and discolor surfaces. **Do not** use cleaning agents that caution use on acrylic, polyester or plastics.

MADE IN USA