

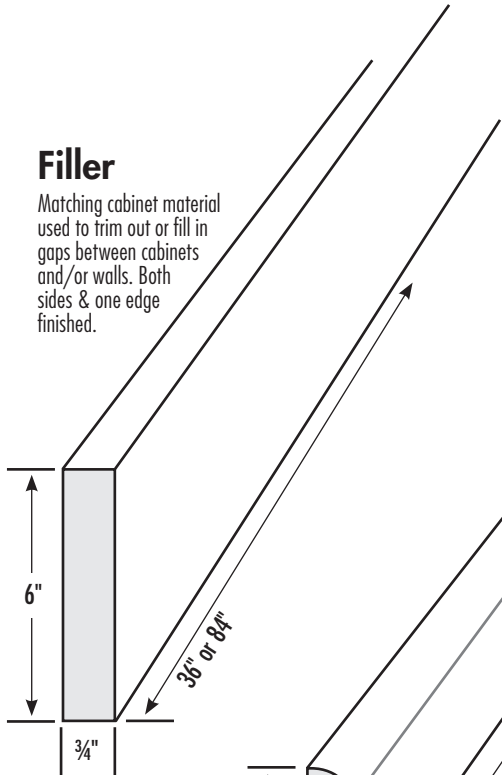
STRASSER

Specifications:
Finishing

Drawings not to scale

Filler

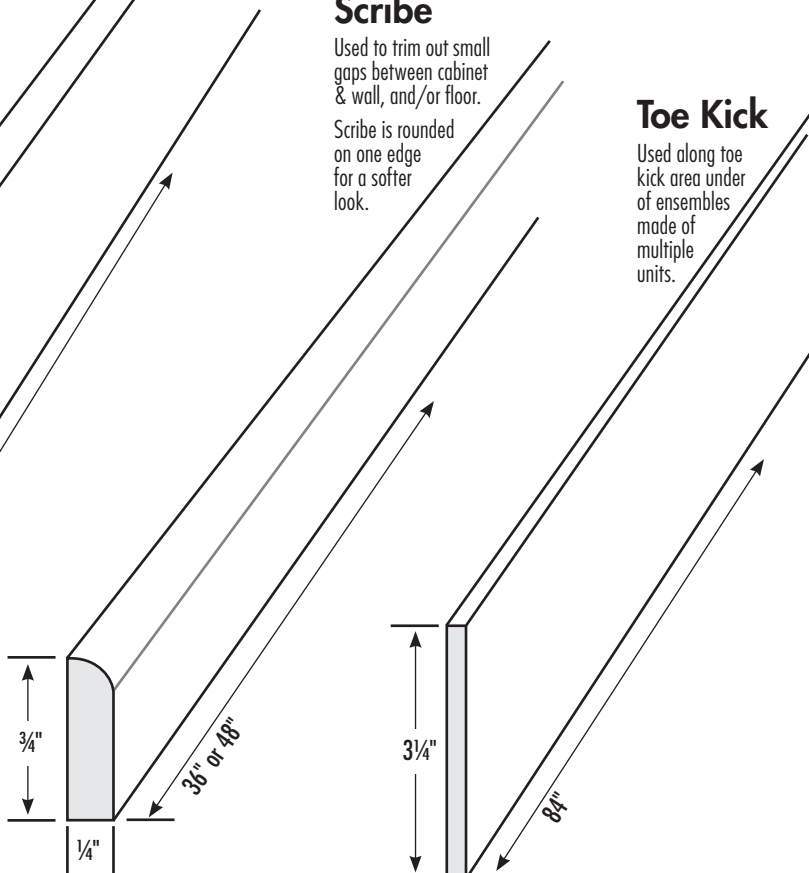
Matching cabinet material used to trim out or fill in gaps between cabinets and/or walls. Both sides & one edge finished.



Scribe

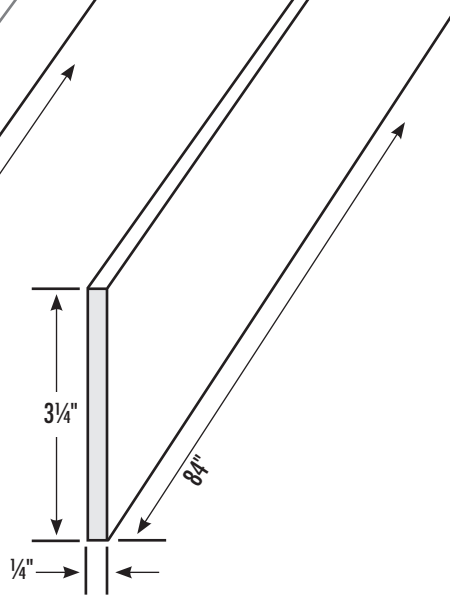
Used to trim out small gaps between cabinet & wall, and/or floor.

Scribe is rounded on one edge for a softer look.



Toe Kick

Used along toe kick area under of ensembles made of multiple units.



Filler

36" or 84" Lengths
3/4" thick
6" wide

Scribe

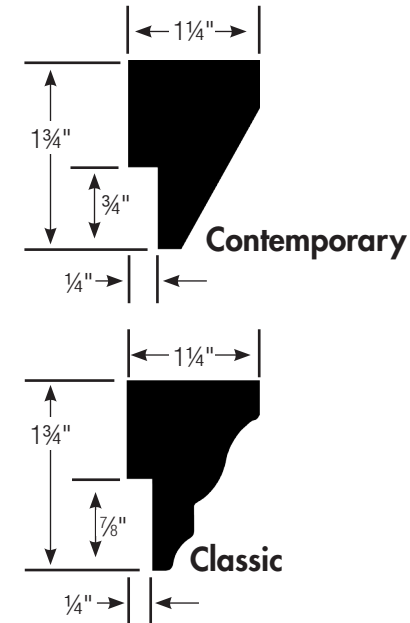
36" or 48" Lengths
1/4" thick
3/4" wide

Toe Kick

84" Lengths
1/4" thick
3 1/4" wide

Crown Molding

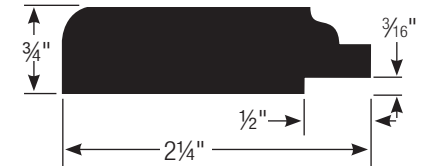
72" strips



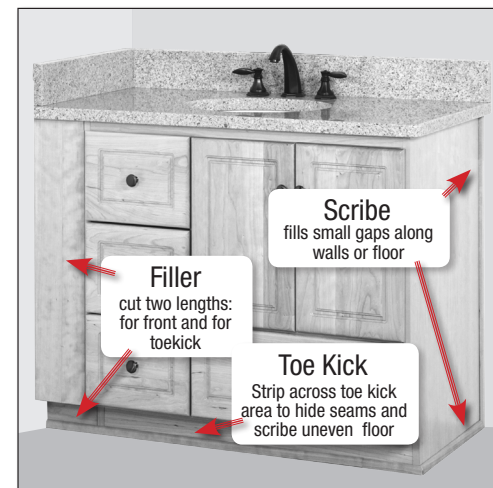
Molding Strips

Three profiles to match our framed doors and mirrors

72" strips



These dimensions apply to all five molding profiles.



Filler
cut two lengths:
for front and for
toekick

Scribe
fills small gaps along
walls or floor

Toe Kick
Strip across toe kick
area to hide seams and
scribe uneven floor

Cut Filler or Scribe to length and secure in place with adhesive or fasteners of your choice.

Fillers are commonly ripped (cut) to the width desired by installer. Note that the space to fill may be wider or narrower at the top than at the bottom and requires a cut to fit.

Toe kick strips will likely need to be scribed to the floor to accommodate unevenness.

REV: 2019-04

www.strasserwood.com

(800) 445-0494

Crafted for you in the USA