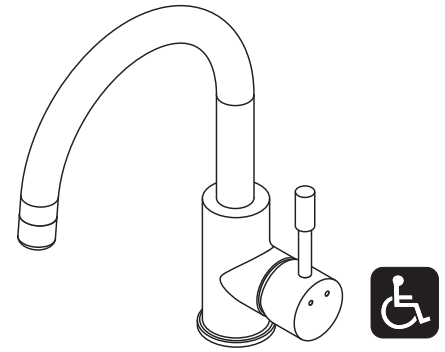



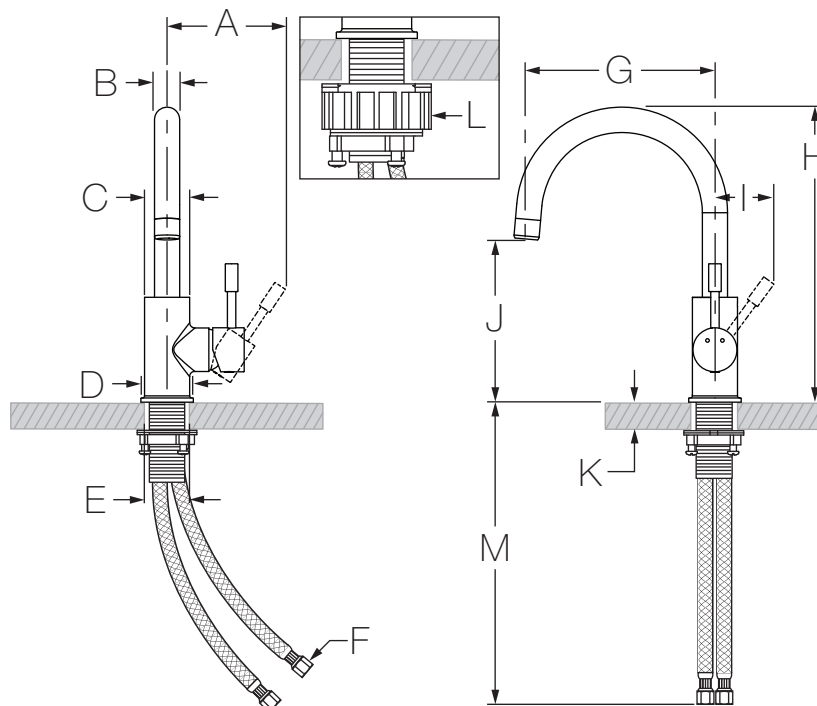


SPB-3510-1.5
Single Handle Bar Sink Faucet
Operation & Maintenance Manual



Model Numbers	Feature Highlights
<input type="checkbox"/> SPB-3510-1.5 <i>Single Handle Bar Sink Faucet</i>	<ul style="list-style-type: none"> • Single hole mount configuration • 3 hole mount configuration for optional 8 inch deck plate • Quarter turn ceramic cartridge • Braided hose water supply connections • Standard swivel spout with option of rigid spout • Standard 1.5 gpm (5.7 L/min) flow rate • Faucet shall be metal construction, plated in standard polished chrome finish
Options/Modifications <ul style="list-style-type: none"> <input type="checkbox"/> -0.5  <i>0.5 gpm (1.9 L/min) aerator</i> <input type="checkbox"/> -1.0  <i>1.0 gpm (3.8 L/min) aerator</i> <input type="checkbox"/> Delete Suffix 1.5 <i>2.2 gpm (8.3 L/min) aerator</i> <input type="checkbox"/> -DP <i>8 inch deck plate</i> <input type="checkbox"/> -NA <i>1.5 gpm (5.7 L/min) laminar flow</i> <input type="checkbox"/> -STN <i>Satin Nickel finish</i> <p>Note: Append appropriate -suffix to model number.</p>	Warranty <p>Limited Lifetime - to the original end purchaser in consumer/residential installations. 5 Years - for industrial/commercial installations. Refer to www.symmons.com/warranty for complete warranty information.</p>
Compliance -ASME A112.18.1/CSA B125.1 -NSF/ANSI 61.9; NSF/ANSI 372 	

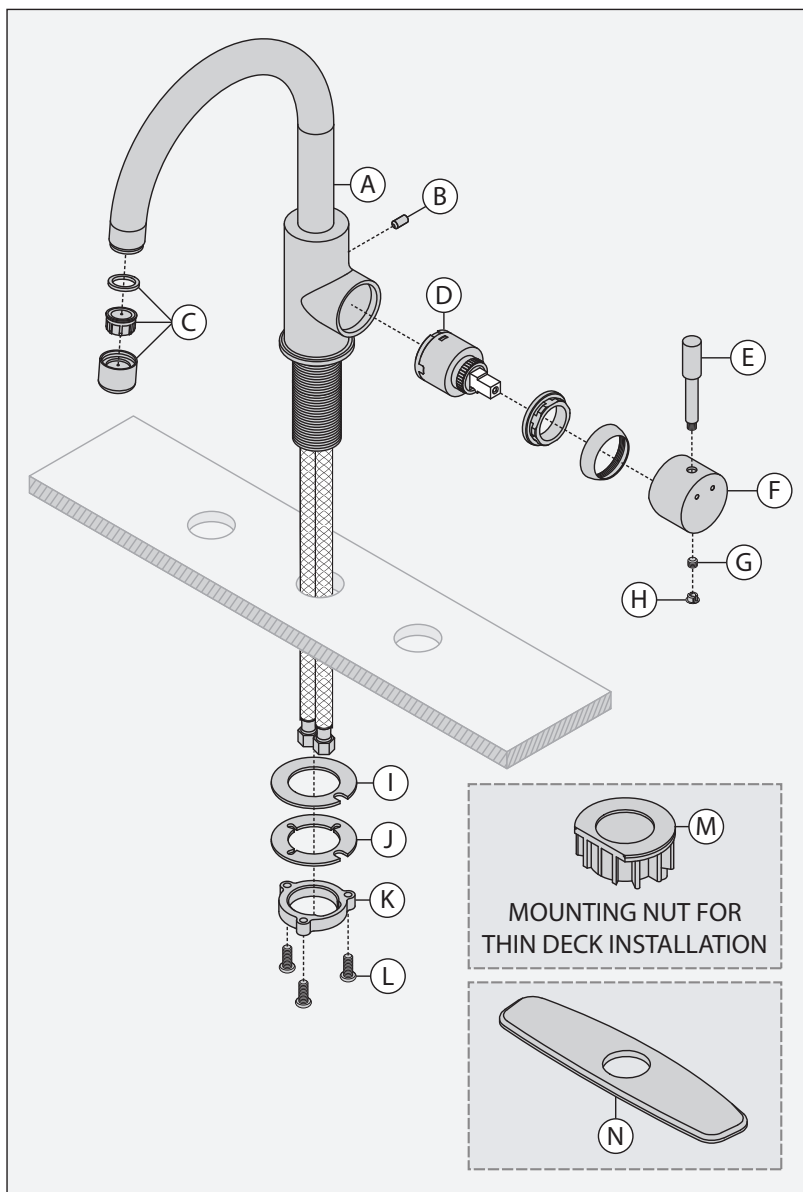
Dimensions



Measurements	
A	3-13/16", 97 mm
B	Ø 15/16", 24 mm
C	Ø 1-11/16", 43 mm
D	Ø 1-15/16", 49 mm
E	Hole Size Min. Ø 1-3/8", 35 mm Max. Ø 1-1/2", 38 mm
F	3/8" compression
G	7-1/16", 179 mm
H	11-1/16", 281 mm
I	Distance to Backsplash Ref. Min. 3-7/8", 98 mm
J	6-1/8", 156 mm
K	Deck Thickness Ref. Max. 2-3/16", 56 mm
L	Use large mounting nut for thin deck applications
M	22-11/16", 576 mm


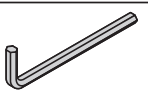
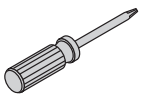
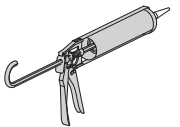
Note: Dimensions subject to change without notice.

Parts Breakdown



Replacement Parts		
Item	Description	Part Number
C	0.5 gpm aerator	RL-092-0.5*
	1.0 gpm aerator	RL-092-1.0*
	1.5 gpm aerator	RL-092-1.5*
	2.2 gpm aerator	RL-092-2.2*
D	Cartridge	RL-093
E	Lever Handle	RL-094*
F	Handle Hub	
G	Set Screw	
H	Plug Button	
I	Rubber Washer	RL-095
J	Metal Washer	
K	Mounting Nut	
L	Mounting Screws	
N	Optional 8" Deck Plate	RL-032*


***Note:** Append appropriate -suffix to repair part number for premium finish or flow rate.

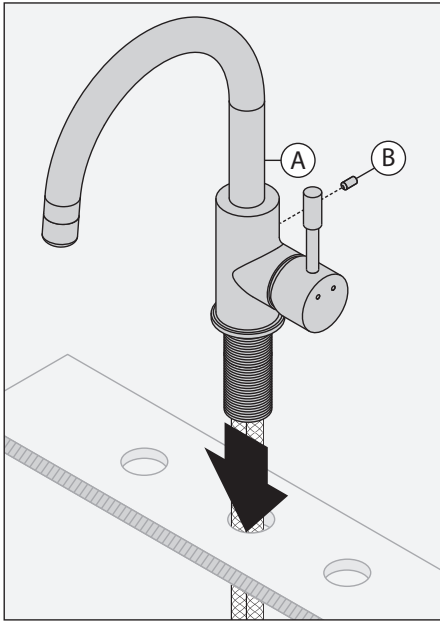
Tools Required for Installation	
Adjustable Wrench	
Allen Wrench: Handle (2.5mm) Spout (2mm)	
Phillips Head Screwdriver	
Silicone	

Installation Notes:

- 1) Apply a bead of silicone around the perimeter of trim installed flush to sink.
- 2) DO NOT use plumber putty or plumber tape on fittings with face seal washers or o-ring seals.
- 3) DO NOT OVERTIGHTEN fittings with face seal washers or o-ring seals.

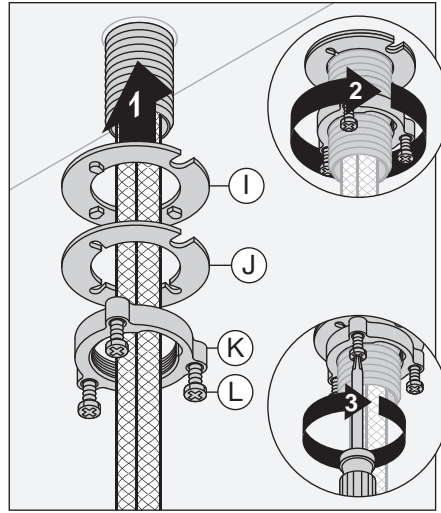
Installation

 Water lines **MUST** be thoroughly flushed **BEFORE** and **AFTER** installing the faucet to prevent foreign matter i.e. copper chips, sand, stones, etc. from clogging and possibly damaging the sealing surfaces of the cartridge.

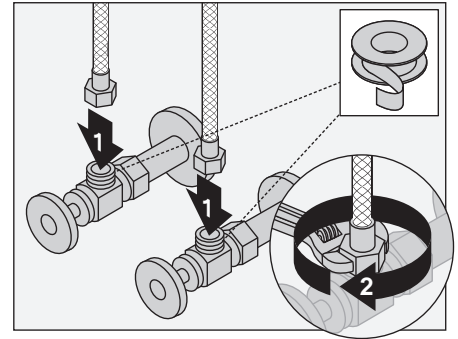


1) Insert faucet body (A) through deck surface.

Optional: To make swivel spout rigid, secure spout (A) with set screw (B) using a 2mm allen wrench.

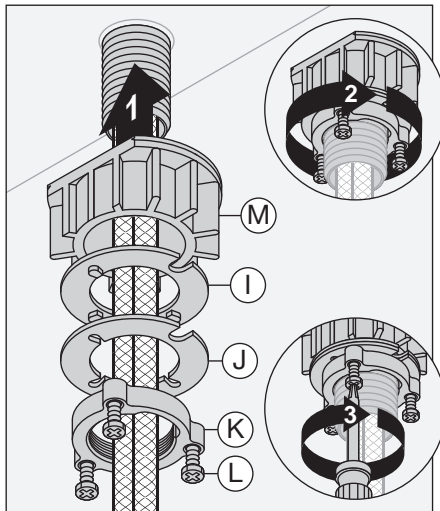


2) Slide rubber washer (I) and metal washer (J) on to valve body. Thread small mounting nut (K) on to valve body. Hand tighten nut (K), then tighten screws (L).



3) Attach supply lines to shut-off valves and hand tighten. Using a wrench, finish with one-half turn. **DO NOT** over-tighten.

Installation (for thin deck applications)



1) Thread large mounting nut (M) on to valve body. Slide rubber washer (I) and metal washer (J) on to valve body. Thread small mounting nut (K) on to valve body. Hand tighten nut (K), then tighten screws (L).

Troubleshooting Chart

Problem	Cause	Solution
Finish is spotting.	Elements in water supply may cause water staining on finish.	Clean finished trim area with a soft cloth using mild soap and water or a non-abrasive cleaner and then quickly rinse with water.
Faucet is leaking from handle or faucet body.	Remove cartridge and inspect for foreign matter. Replace cartridge if necessary.	Cartridge o-rings are worn or foreign matter (dirt, chips) is lodged between cartridge and o-rings.
Faucet no longer maintains desired temperature.	Hard water deposit inside of cartridge is preventing accurate mix of hot and cold water.	Soak cartridge in white vinegar for 1 hour to breakdown hard water deposits, then rinse with water. Replace cartridge if necessary.