



Location:



**SYMMONS® Elm™**  
**Tub-Shower System S-5502**  
**Specification Submittal**



### Feature Highlights

- Symmons Tub and Shower System with lever handle
- Symmons Temptrol® pressure-balancing mixing valve with adjustable stop screw to limit handle turn
- Screwless escutcheon
- Secondary integral diverter/volume control handle
- Showerhead #552SH three mode, 4 inch diameter
- Showerhead arm and flange
- Standard flow rate is 2.5 gpm (9.5 L/min)  
*Optional lower flow rate restrictor available* 
- Tub spout, #552TS
- Polished chrome finish (standard)

### Model Numbers

- S-5502  
Tub-Shower System with Symmons Temptrol® mixing valve p/n S-4002-BODY
- S-5502-TRM  
Trim only, mixing valve ordered separately
- S-4002-BODY  
Symmons Temptrol® mixing valve without trim
- S-4002-X-BODY  
Symmons Temptrol® mixing valve without trim. Valve includes integral service stops to allow water shut-off for service



### Finish Options / Modifications

*Append appropriate -suffix to model number*

- STN Satin Nickel
- SBZ Seasoned Bronze
- Polished Chrome (standard finish)

### Options / Modifications

*Append appropriate -suffix to model number*

- IPS 1/2 inch female IPS connections on Symmons Temptrol® mixing valve  
*(not available with -X integral service stops)*
- X Integral service stops included with Temptrol mixing valve to allow water shut-off for service, p/n S-4002-X-BODY *(option only applies when ordering model S-5502)*
- CHKS Check Stops: Temptrol® mixing valve includes integral check stops  
*(Requires integral service stops, suffix -X. Used in installations where a positive shut-off device is used downstream of mixing valve.)*
- REV Reverse core: Temptrol® mixing valve with reverse core. *(Requires integral service stops, suffix -X. Used in back-to-back system installations. HOT on the right, COLD on the left)*
- L/HD Showerhead not included  
*(includes showerhead arm and flange only)*
-  -2.0 2.0 gpm (7.6 L/min) flow rate restrictor
-  -1.5 1.5 gpm (5.7 L/min) flow rate restrictor

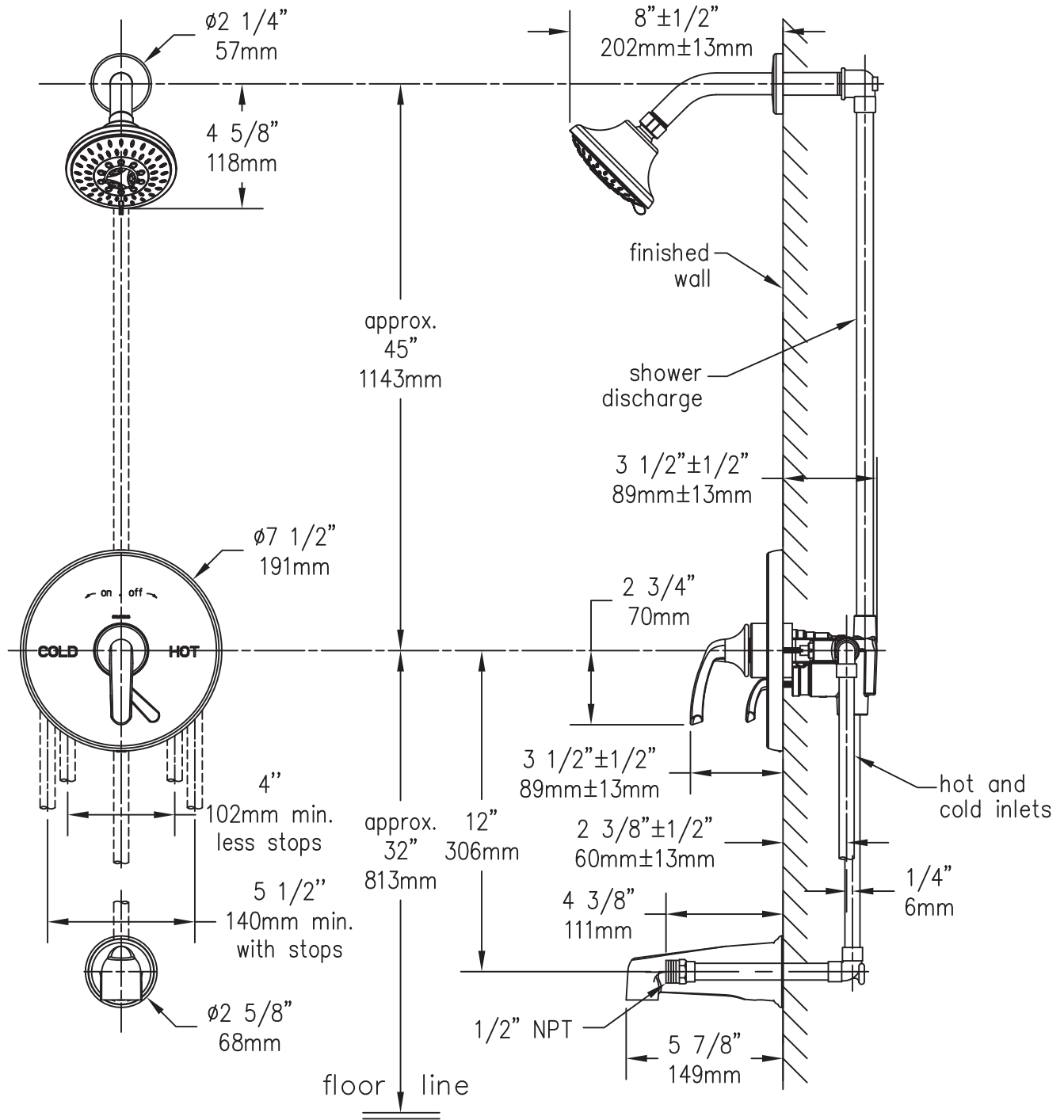
### Standards / Certifications

ASME A112.18.1-2005 / CSA B125.1-05  
Americans with Disabilities Act (ADA) compliant

### Warranty

- Limited Lifetime - to the original end purchaser in consumer installations
- 5 years - for commercial installations

# Dimensions Elm Tub-Shower System, S-5502



**Note:** Dimensions subject to change without notice