



# WALL MODEL LAUNDRY TUB SM-19-WX

## WALL MODEL LAUNDRY TUB

### FEATURES:

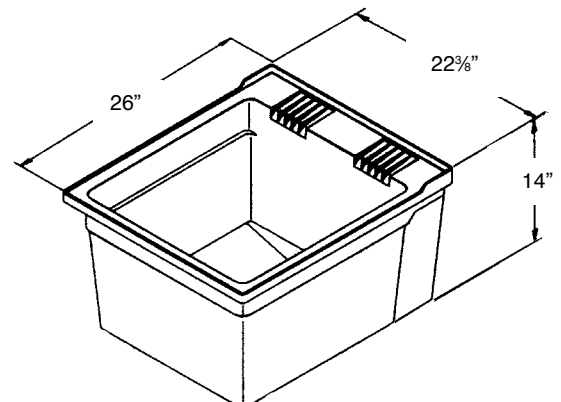
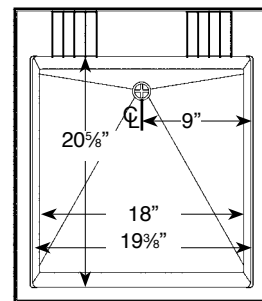
- Single compartment, multi-purpose sink manufactured from an innovative foam process. The polypropylene structural composite sink utilizes this unique molding process, producing seamless corners and edges while providing unrivaled strength.
- Convenient accessories include a bottle holder, drying rack, front and side towel holders, p-trap and supplies. (models SM-19-WA & SM-19-WC only)
- Leak-proof, integral molded-in drain with stopper.
- Unique Pull-out faucet offers two different sprays and wing handles for easy shut off even with soapy hands. (model WM-19-FC only)
- Large, self-draining back shelf with retainer curb that prohibits water run-off except into tub.
- Includes wall mounting bracket, side supports and mounting hardware for securing tub to concrete or stud wall.
- Easy to assemble and install.



SM-19-WC model shown

### APPLICABLE CODES & STANDARDS:

- IAPMO®
- #B45.0 and #B45.5; Drain - #B125
- ANSI – Specification Z 124-2011



	MODEL NO.	DESCRIPTION	Width	Depth	Height
<b>LAUNDRY TUB (only)</b>					
<input type="checkbox"/>	SM-19-W	Tub Only	22 <sup>3</sup> / <sub>8</sub> "	26"	14"
<b>TUB KITS (less faucet)</b>					
<input type="checkbox"/>	SM-19-WA	Tub and Accessories	22 <sup>3</sup> / <sub>8</sub> "	26"	14"
<b>COMPLETE TUB KITS (with faucet)</b>					
<input type="checkbox"/>	SM-19-WC	Tub, Faucet & Accessories	22 <sup>3</sup> / <sub>8</sub> "	26"	14"
<b>INDIVIDUAL COMPONENTS</b>					
<input type="checkbox"/>	SM-LT-TL	Plastic Leg			
<input type="checkbox"/>	SM-LT-AP	Accessory Kit			
<input type="checkbox"/>	SM-LT-WF	Wall Filler Kit			
<input type="checkbox"/>	PSLTF-4	Pull-out Faucet			