

**Features**

- 29½" (749.3) x 22" (559) x 10" (254) undermount kitchen sink.
- Large single compartment.
- Farmhouse style with a wrap around 10" (210) high curved apron front.
- Handcrafted from 16 gauge 304 stainless steel. Channel grooves in sink bottom direct water to drain. Premium brushed finish.
- Includes a stainless steel bottom sink grid and stainless covered flip-top sink strainer.
- 10mm radius corners.
- 5mm sound deadening pads.
- Fits 36" (914) minimum base cabinet width.

**Components**

Product includes:  
TSG30211 Bottom Sink Grid  
2210R Covered Sink Strainer  
Cutout Template  
Installation Hardware  
Installation Instructions

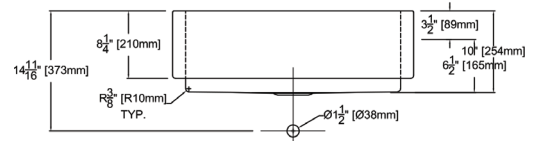
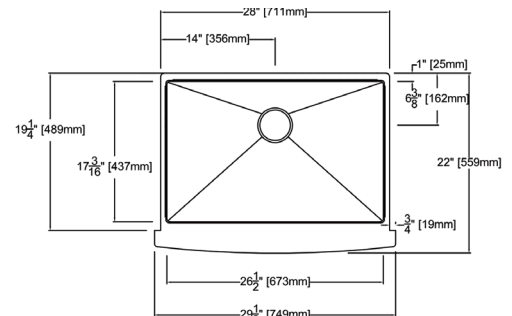
**Warranty**

- Lifetime Limited Warranty



**Specified Model**

Model	DUSSF302210
Overall Dimensions	L29½" x W22" x D10" 749.3 x 559 x 254
Bowl Dimensions	L26½" x W17¾" x D10" 673 x 437 x 254
Drain hole:	3⅝" (92mm)
Shipping Weight	45 lbs.
Material	16 gauge 304 stainless steel
Installation	under counter mounted
Required	template, included

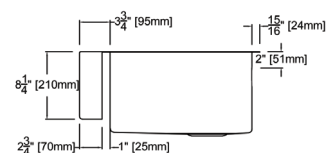


**Codes/Standards**

ASME A112.19.3/CSA B45.4

**Notes**

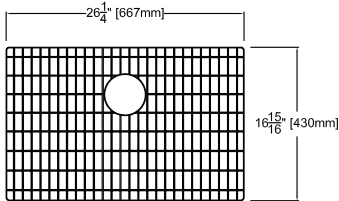
Install this product according to the installation instructions.



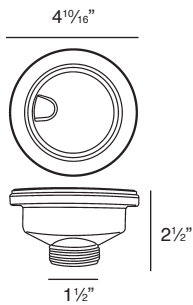
**Components**

Product includes:

TSG30221 Bottom Sink Grid



2210R Covered Flip Top Sink Strainer.



Water drains easily when cover is in place. Cover flips up with easy touch. Polypropylene housing. Fits standard 3½" opening.

Optional 2310 Remote Covered Flip Top Sink Strainer is available.

Optional 4010 Covered Flip Top Disposer Strainer is available.

See Accessories to order.