

**Features**

- 32<sup>3</sup>/<sub>8</sub>" (823) x 18<sup>1</sup>/<sub>8</sub>" (460) x 9" (229) undermount kitchen sink.
- Double equal compartments.
- 16 gauge 304 stainless steel.
- Rear center drain location.
- Brushed finish with highlight rim.
- 10mm radius corners.
- 3mm sound deadening pads.
- Fits 36" base cabinet width.

**Components**

- Product includes:  
Cutout Template  
Installation Hardware  
Installation Instructions

**Options**

- 2210R Covered Sink Strainer
- 4010 Covered Disposer Strainer
- TMTK1 Magnetic Tool Set

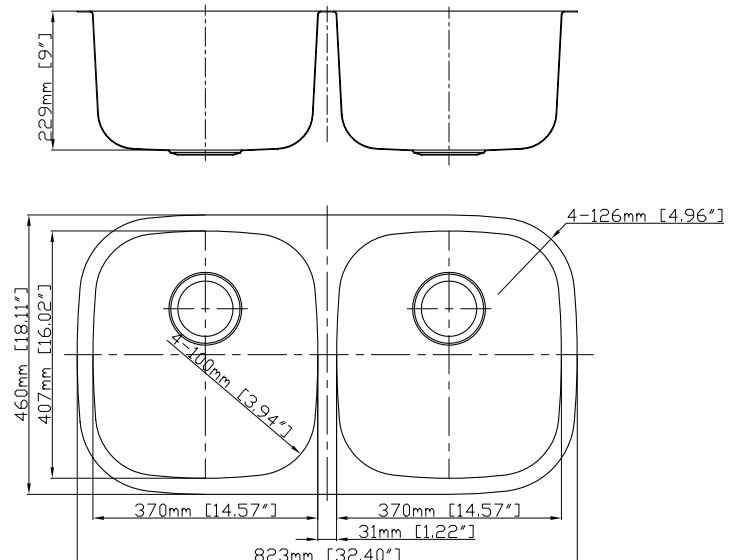
**Warranty**

- Lifetime Limited Warranty



**Specified Model**

Model	MUDE32189
Overall Dimensions	L32 <sup>3</sup> / <sub>8</sub> " x W18 <sup>1</sup> / <sub>8</sub> " x D9" 823 x 460 x 229
Bowl Dimensions (Left)	L14 <sup>9</sup> / <sub>16</sub> " x W16 <sup>1</sup> / <sub>32</sub> " x D9" 370 x 407 x 229
Bowl Dimensions (Right)	L14 <sup>9</sup> / <sub>16</sub> " x W16 <sup>1</sup> / <sub>32</sub> " x D9" 370 x 407 x 178
Drain holes:	3 <sup>5</sup> / <sub>8</sub> " (92mm)
Shipping Weight	37 lbs.
Material	16 gauge 304 stainless steel
Installation	under counter mounted
Required	template, included



**Codes/Standards**

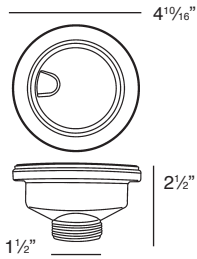
ASME A112.19.3/CSA B45.4

**Notes**

Install this product according to the installation instructions.

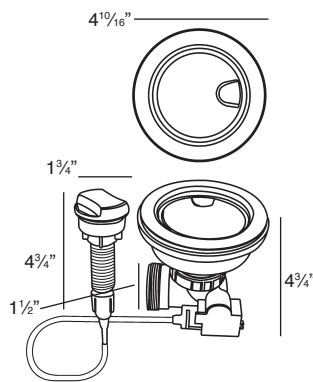
**Optional Accessories**

2210R Covered Flip Top Sink Strainer.



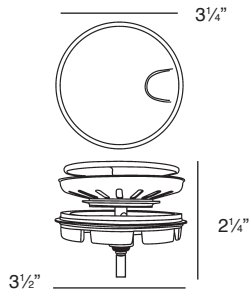
Water drains easily when cover is in place. Cover flips up with easy touch. Polypropylene housing. Fits standard 3 1/2" opening.

2310 Remote Covered Flip Top Sink Strainer.



Turn the remote knob to open and close drain. Water drains easily when cover is in place. Cover flips up with easy touch. Polypropylene housing. Fits standard 3 1/2" opening. 1 3/8" hole required in countertop for remote installation. Remote cable 25 1/2" L.

4010 Covered Flip Top Disposer Strainer.



Water drains easily when cover is in place. Cover flips up with easy touch. Polypropylene housing. Top mount installation for 3 1/2" opening.