



CHICAGO
Towel Warmer
Chauffe-serviettes
Calentador de toallas

PRODUCT SPECIFICATION SHEET

CHICAGO SERIES

ORD-0800500-PC



FEATURES

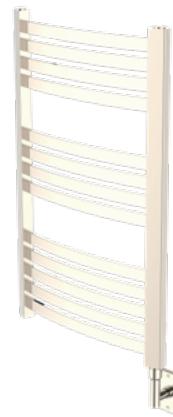
- WALL MOUNTED
 - HARDWIRE INSTALLATION KIT
 - MOUNTING INSTRUCTIONS
 - ALL ELECTRIC AND OIL FILLED
 - COVER PLATES
- TIMERS AVAILABLE SEPARATELY (NOT INCLUDED)

SIZES

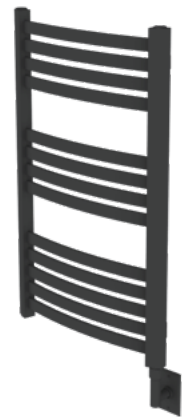
- 800x500 MM
- 1200x600 MM

STOCKED FINISHES

- POLISHED CHROME (PC)
- POLISHED NICKEL (PN)
- MATTE BLACK (MB)



ORD-0800500-PN



ORD-0800500-MB

SEE OVER FOR SPECIFICATION DRAWINGS

Product Code	Finishes	Sizes (mm)		Sizes (Inches)		Output (Watts/BTU)	Element Size	Number of Elements
		Height	Width	Height	Width			
ORD-0800500	PC, PN, MB	800	500	31.50	19.69	254 / 866	150W	13
ORD-1200600	PC, PN, MB	1200	600	47.24	23.62	484 / 1651	300W	22



Distributed by Kartners Bathroom Accessories
Address: North Vancouver, British Columbia, Canada
toll free number: 1-877-490-3537
website: www.vernontowelwarmers.com

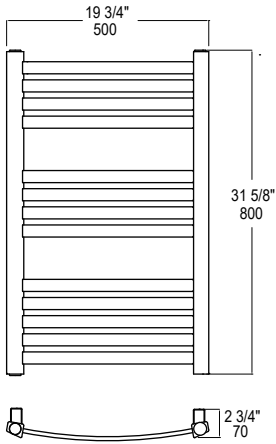
Email: support@vernontowelwarmers.com



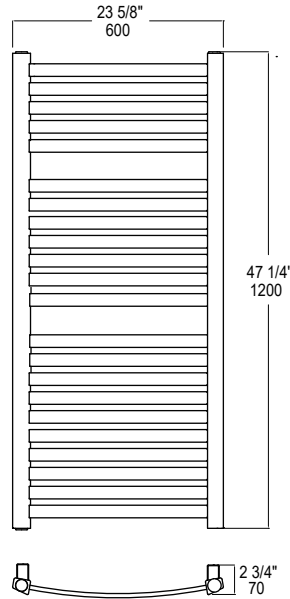
CHICAGO
Towel Warmer
Chauffe-serviettes
Calentador de toallas

PRODUCT SPECIFICATION SHEET

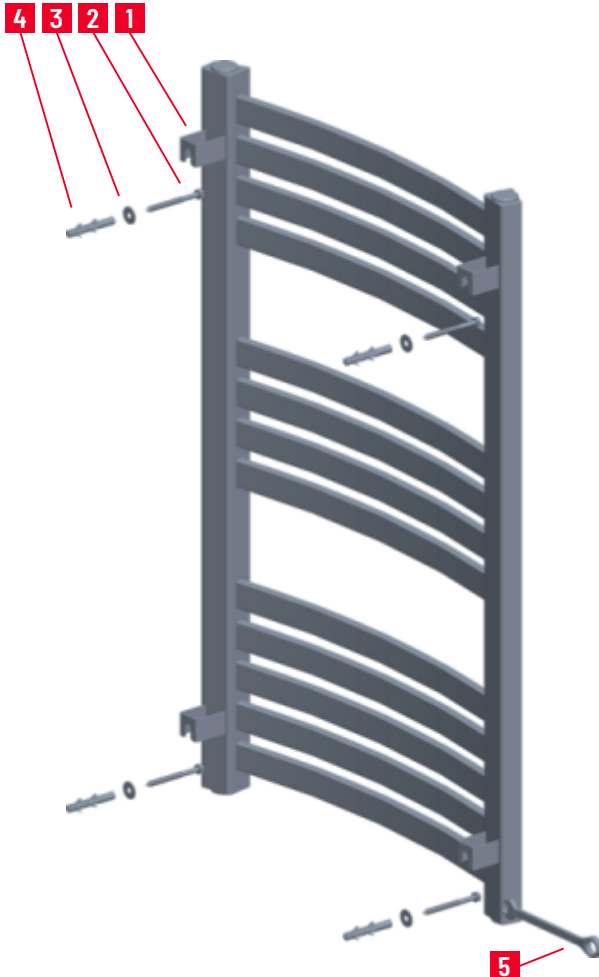
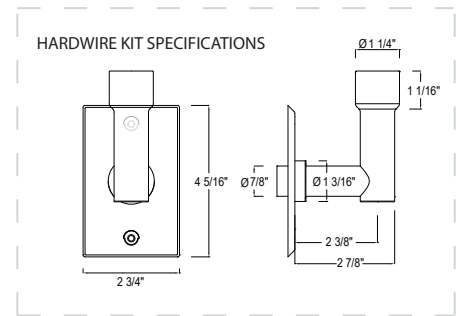
ORD-0800500



ORD-1200600



Vernon Towel Warmer Hardwire Kit Round -PC
Code: VTW-HWK-RD-PC



**Installation
Diagram 2
- Chicago**

1. Bracket
2. Wall screw
3. Washer
4. Wall plug
5. Spanner

TIMERS AVAILABLE



VPT24-1PZ



DDS15-BDZ



Distributed by Kartners Bathroom Accessories
Address: North Vancouver, British Columbia, Canada
toll free number: 1-877-490-3537
website: www.vernontowelwarmers.com

Email: support@vernontowelwarmers.com