

FRANZ VIEGENER

B u z z

i n s t a l l a t i o n



FV103/J8.17.0

CONGRATULATIONS !

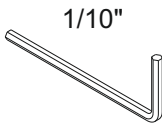
This product has been subjected to stringent tests for its quality, performance and finish. We guarantee years of trouble free operation.

We thank you for your choice and above all for the trust you are placing in us. This trust is what motivates us to improve every day.

Before connecting the faucet to the water supply, flush the tubing thoroughly to eliminate any residue.

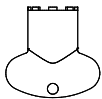
Required installation tools.

Provided.



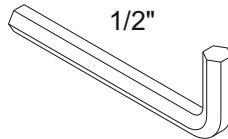
1/10"

Allen Wrench



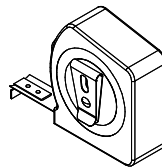
Aerator Tool

Not provided.

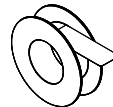


1/2"

Allen wrench



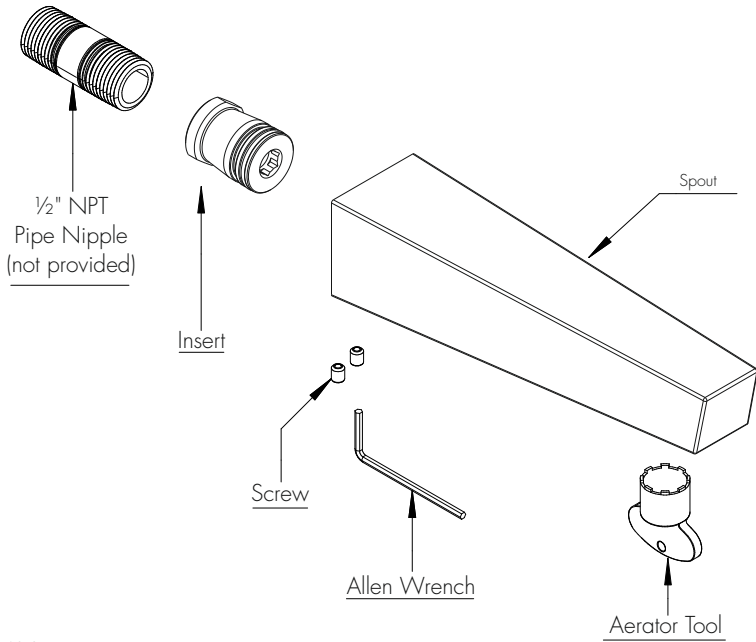
Measure Tape



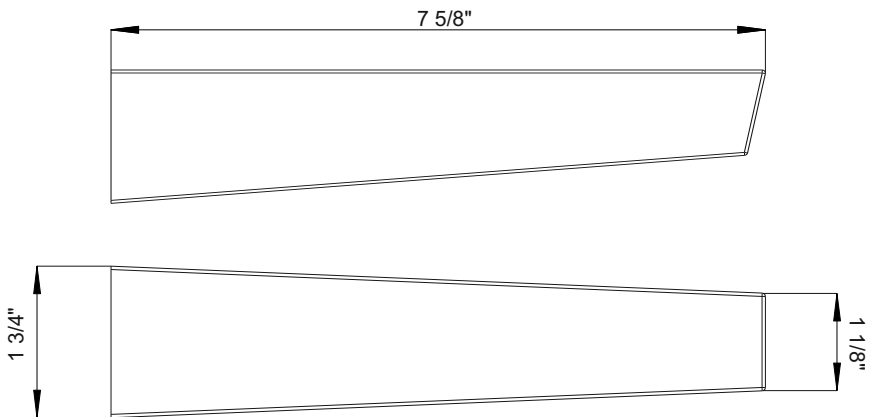
Teflon Tape

FV103/J8.17.0

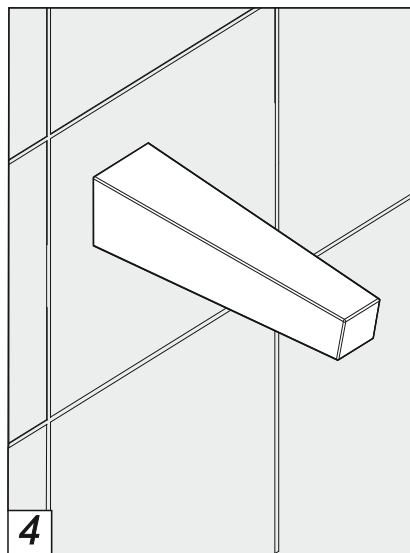
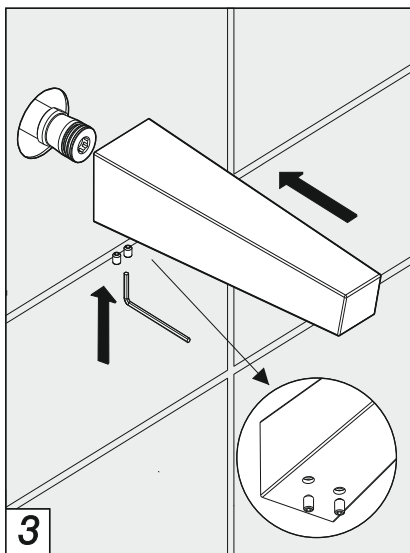
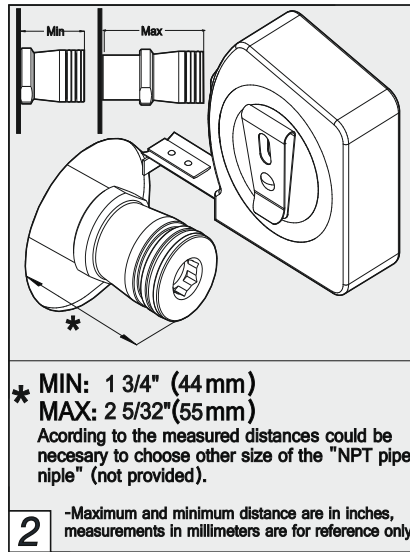
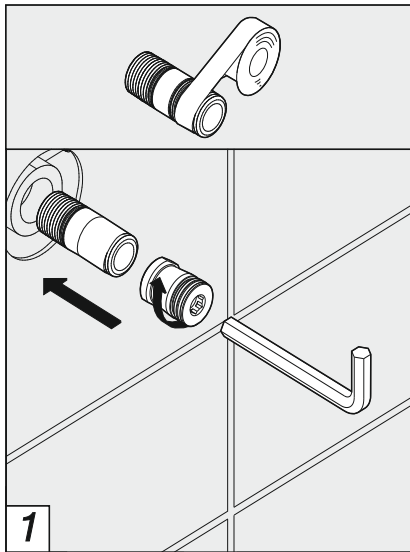
Tab Spout



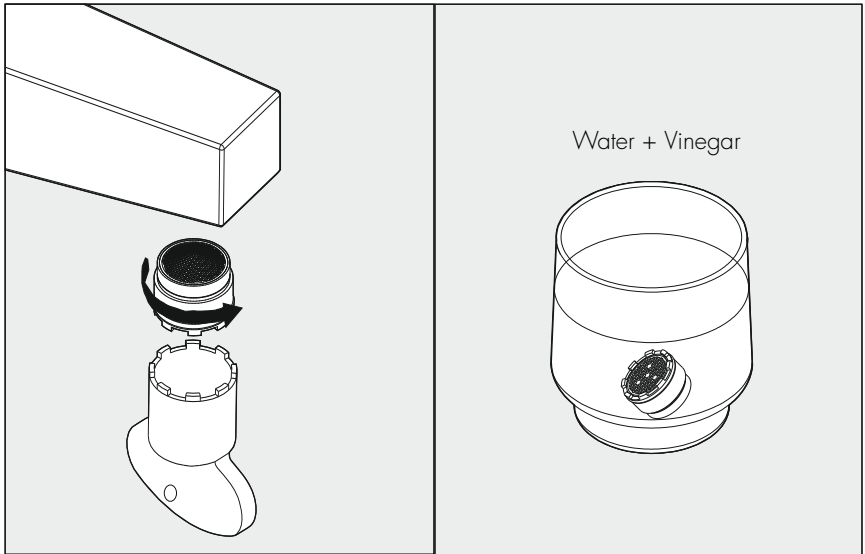
Measures



Spout installation



Spout Cleaning



Finished installation.



FRANZ VIEGENER

A FV S.A. company.

4000 Porett Drive • Gurnee Illinois 60031

Phone 847-244-1234 / Fax 847-244-1259

FRANZ VIEGENER reserve the right to make revisions without notice in the design of faucets and bathroom accessories or in packaging.
FOLLFV103/J8.17.0 / Edition N° 2 _ March, 2015.