

FRANZ VIEGENER

Dominic plus

i n s t a l l a t i o n



Dominic *plus* Roman tub faucet - Line 85


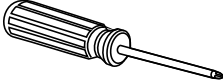

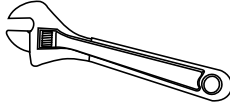

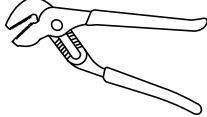


CONGRATULATIONS !

This product has been subjected to stringent tests for its quality, performance and finish.
We guarantee years of trouble free operation.

We thank you for your choice and above all for the trust you are placing in us. This trust
is what motivates us to improve every day.

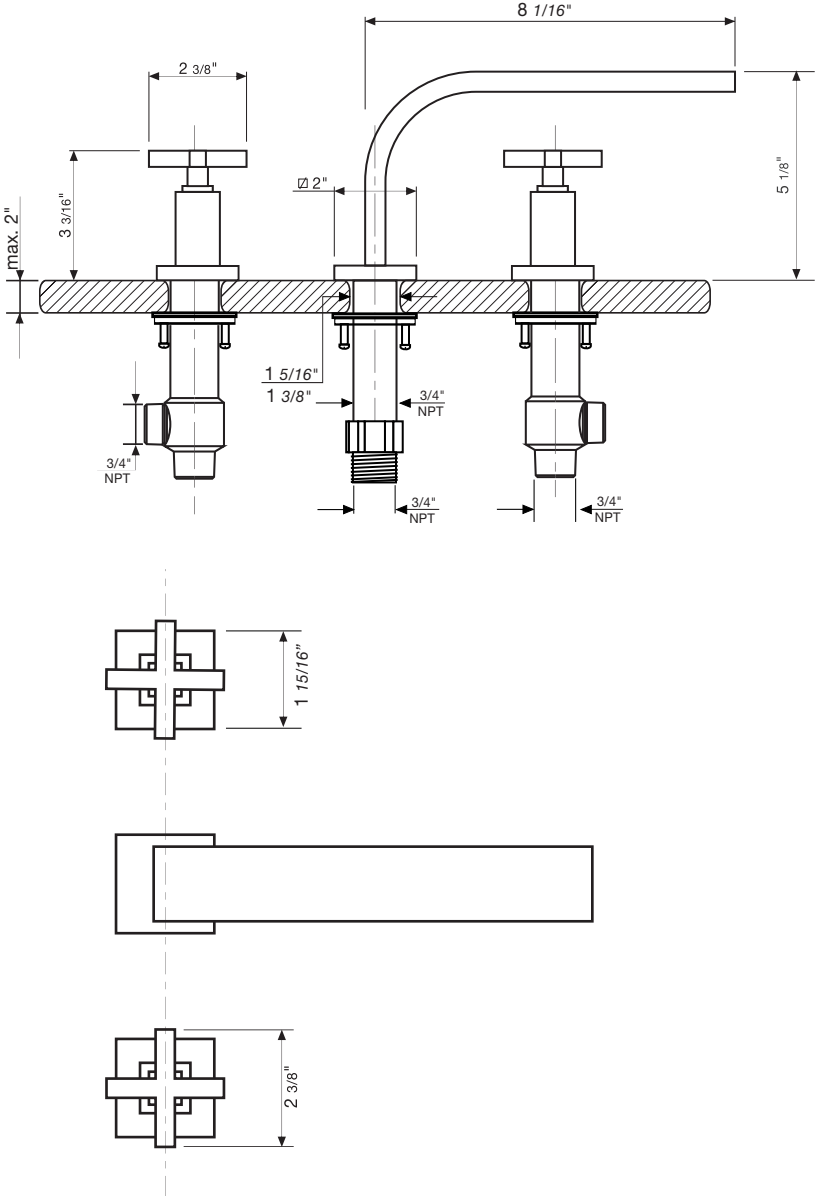
Before connecting the faucet to the water supply, flush the tubing
thoroughly to eliminate any residue.

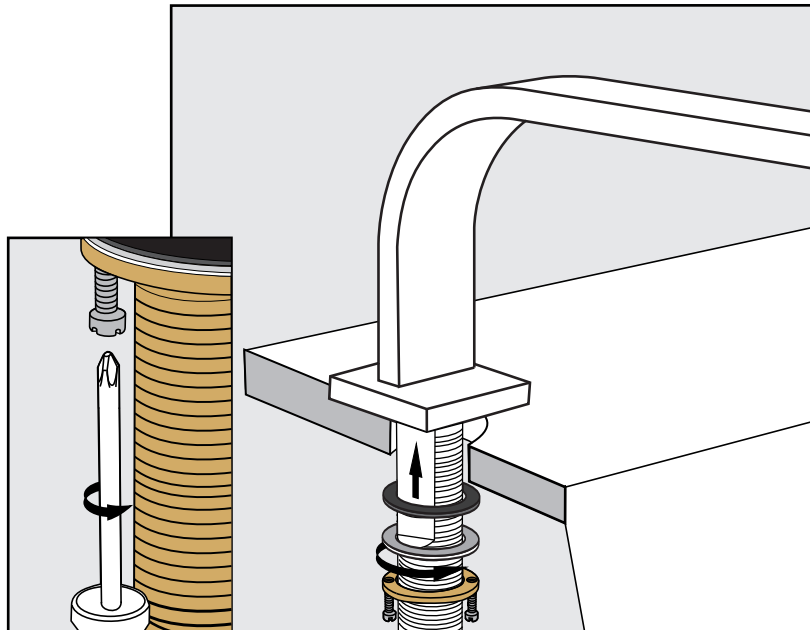
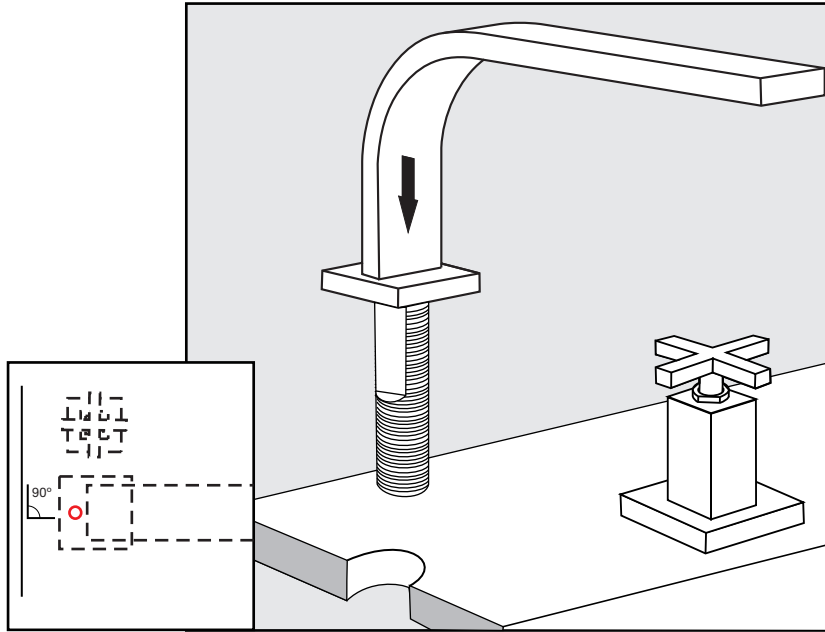
Required installation tools.

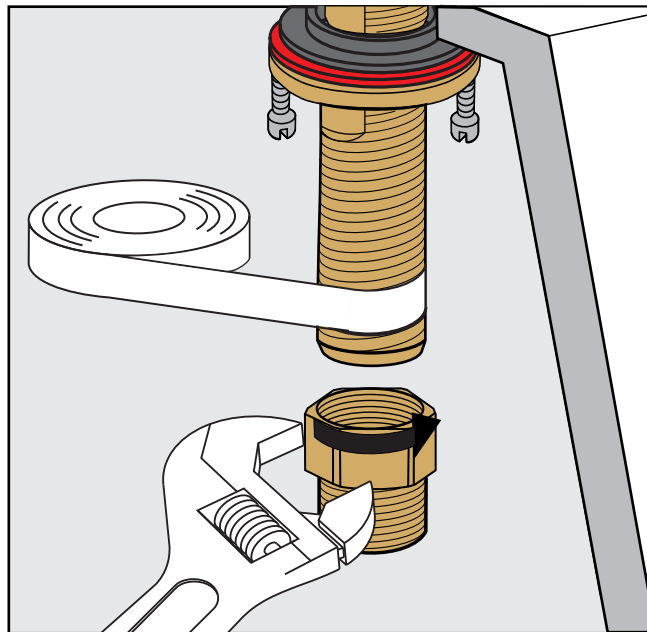
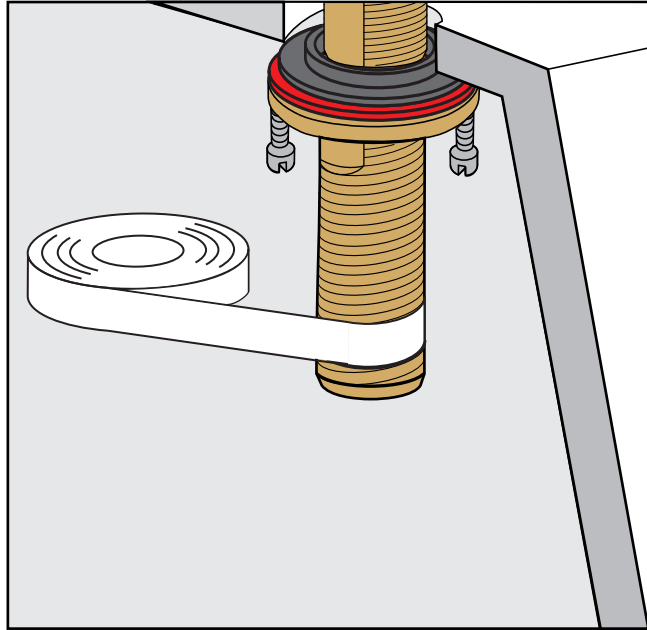
| Provided. | Not provided. |
|---|--|
|  |  Phillips Screwdriver |
|  |  Adjustable wrench |
|  |  Channellock |
|  |  Sealant tape |

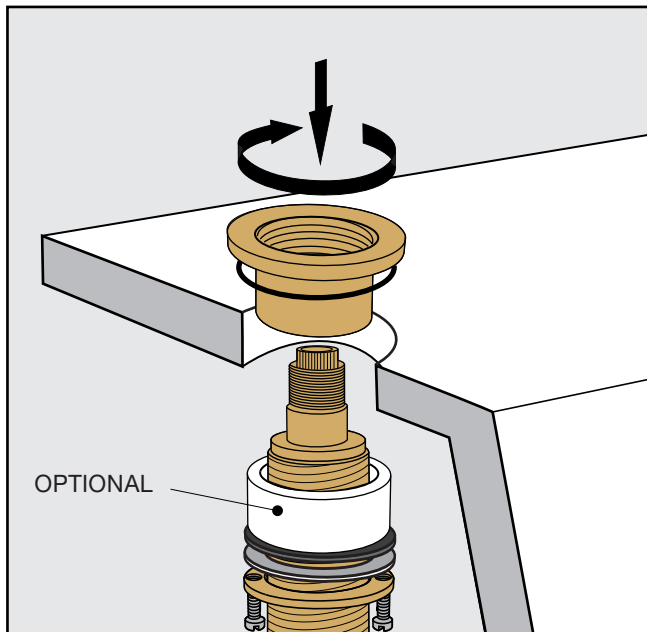
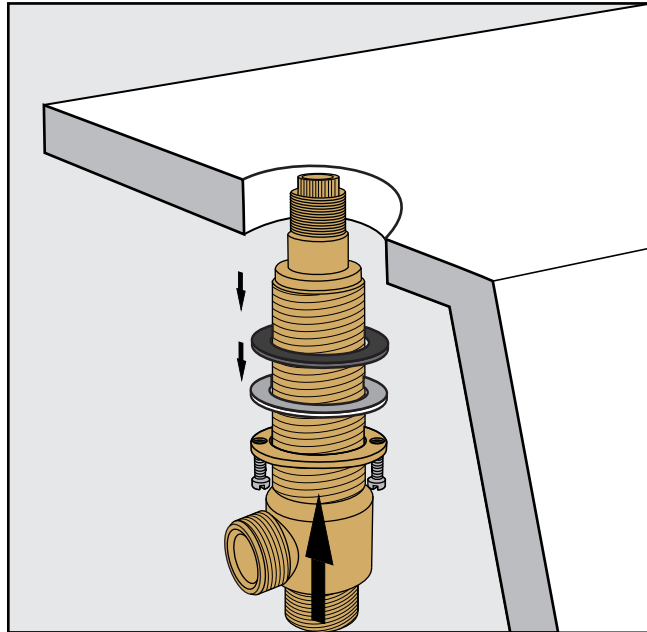
Dominic plus Roman tub faucet - Line 85

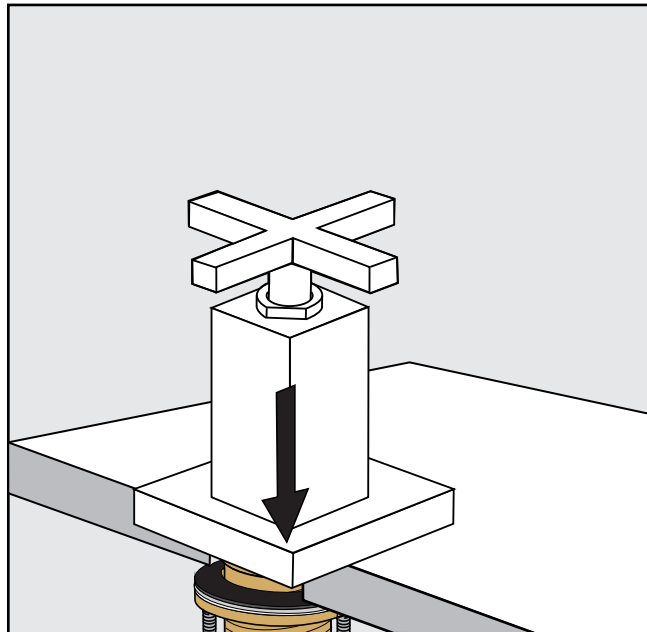
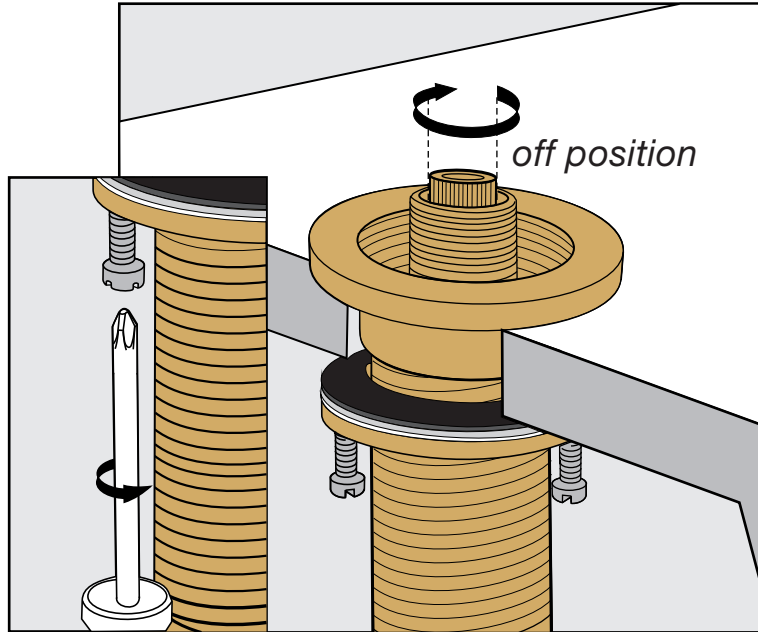
FV210/85
Roman tub faucet plus

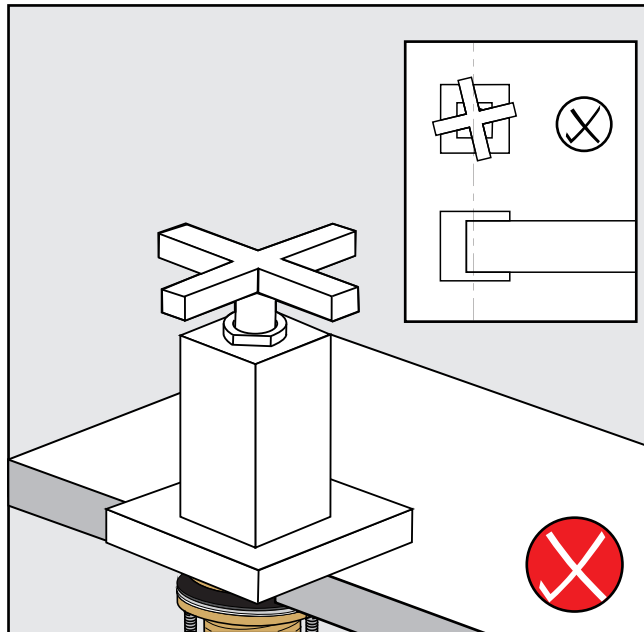
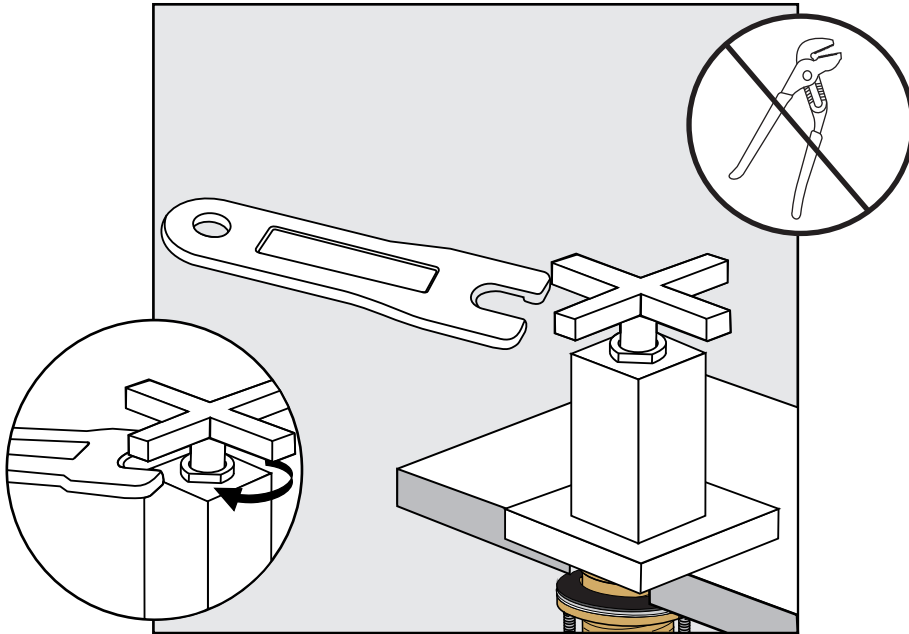


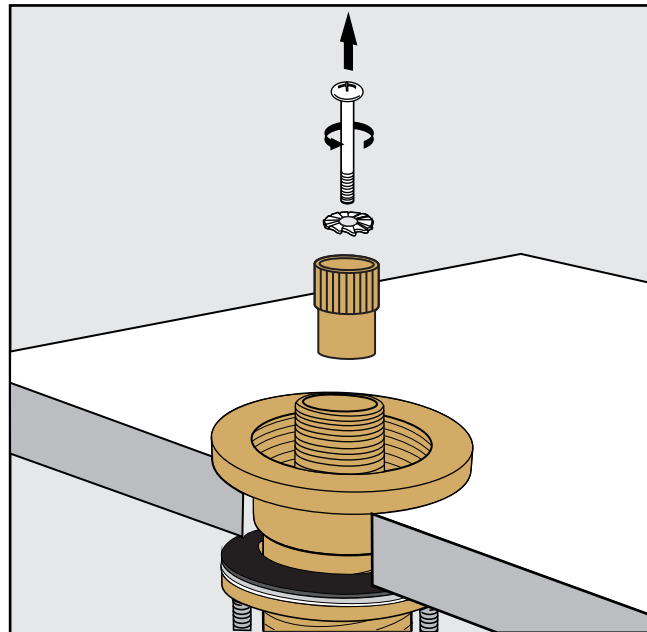
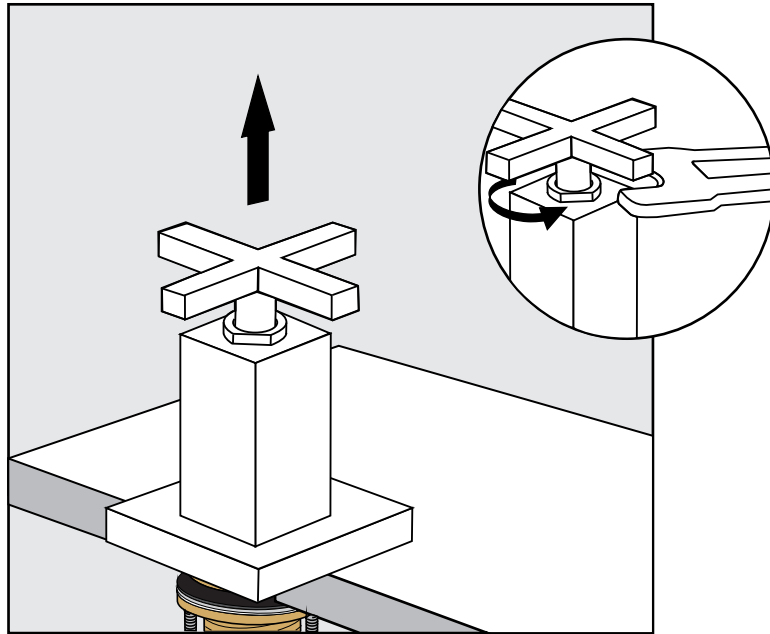


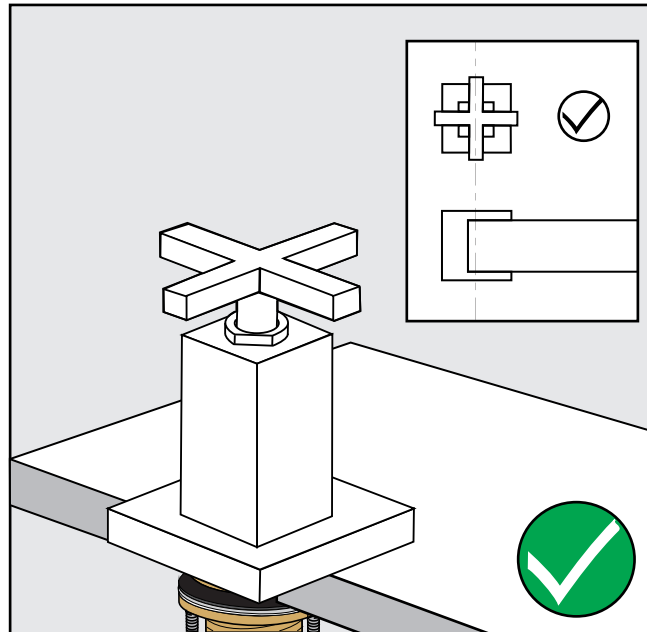
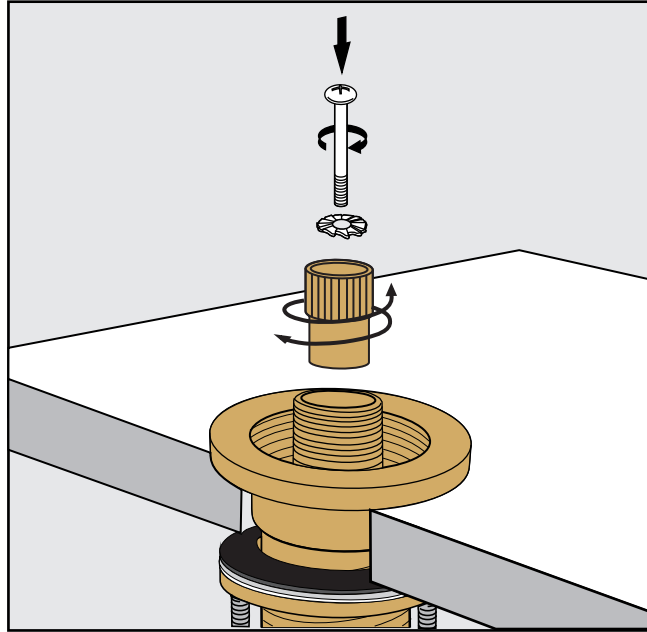


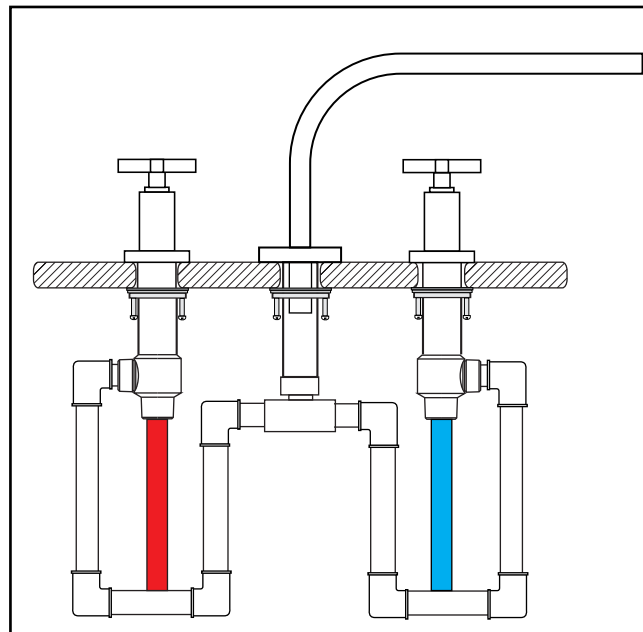
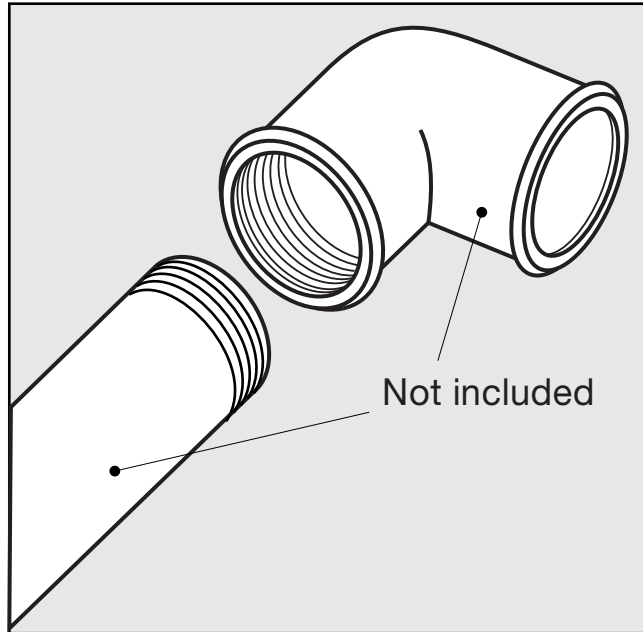






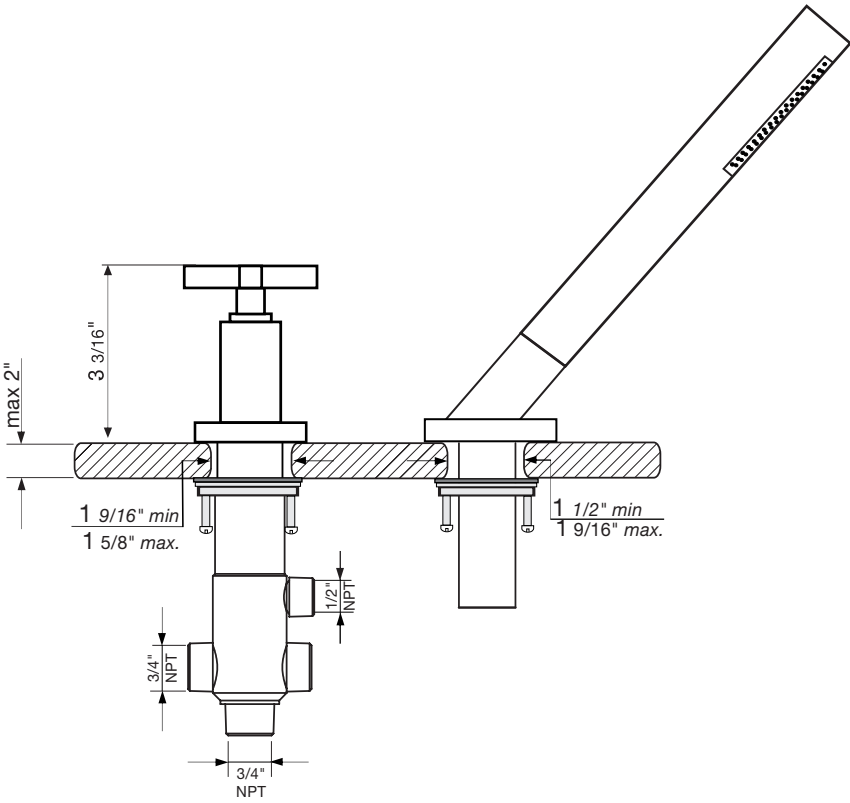


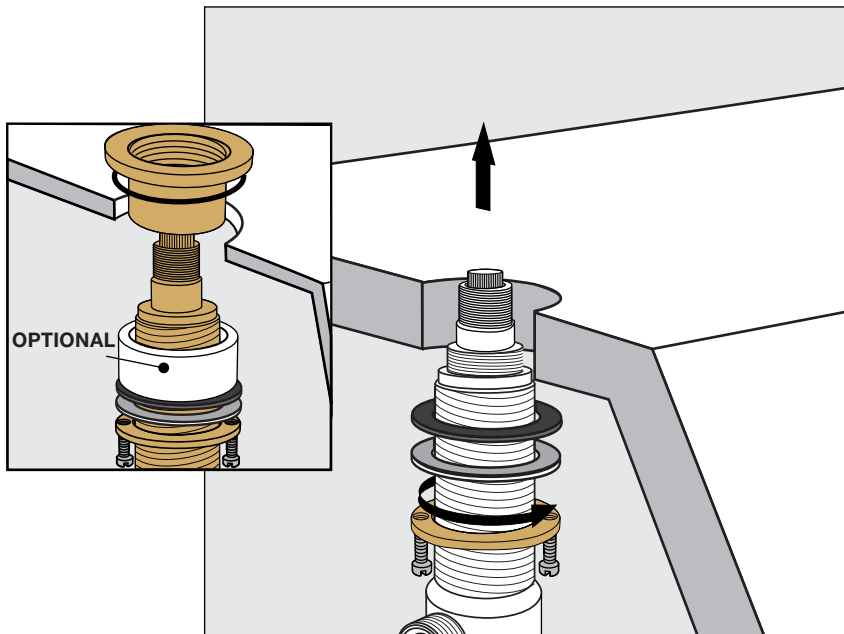
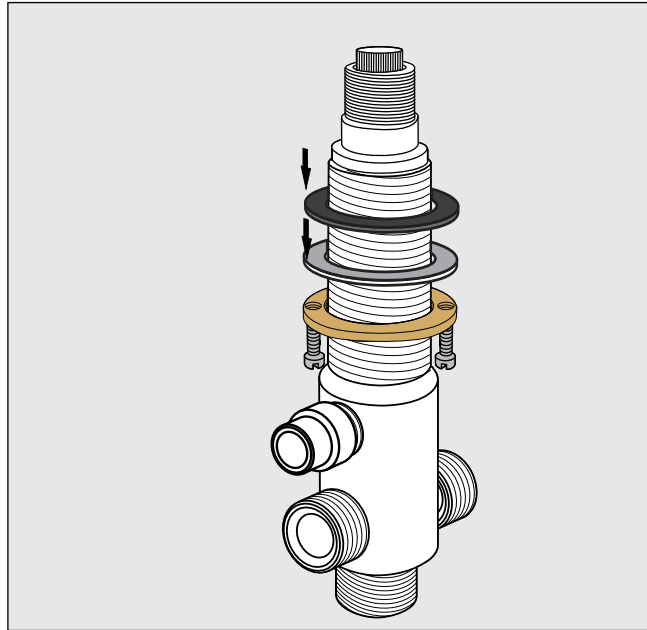


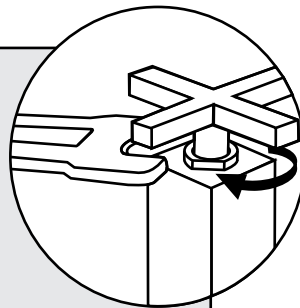
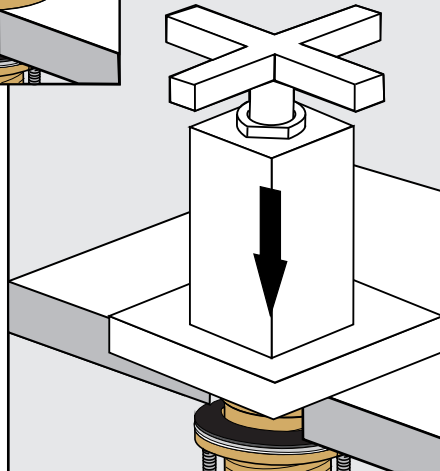
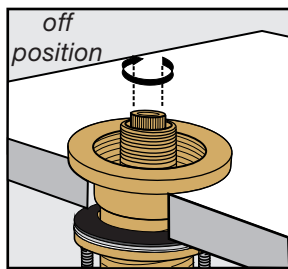
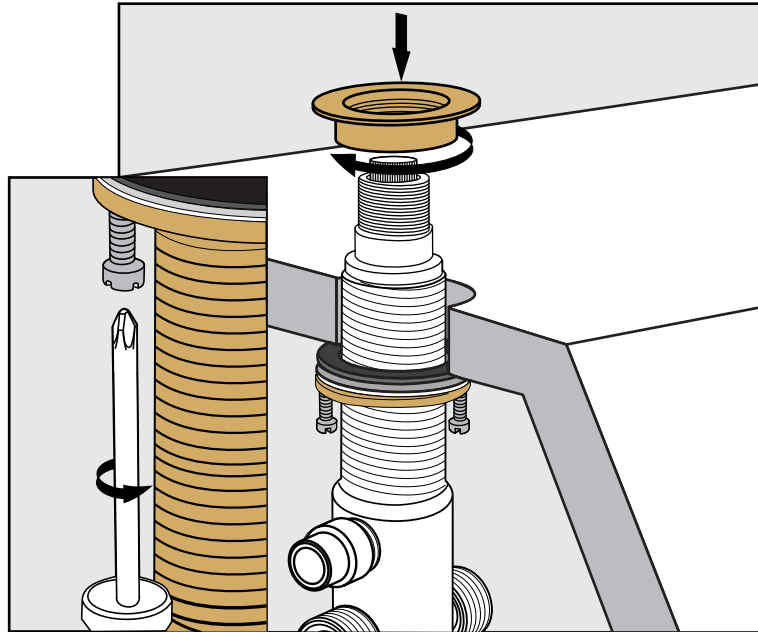


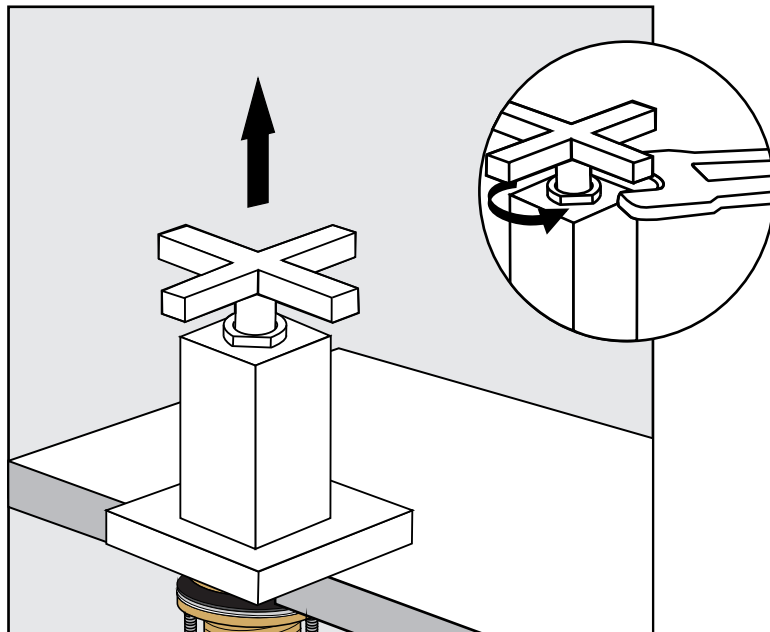
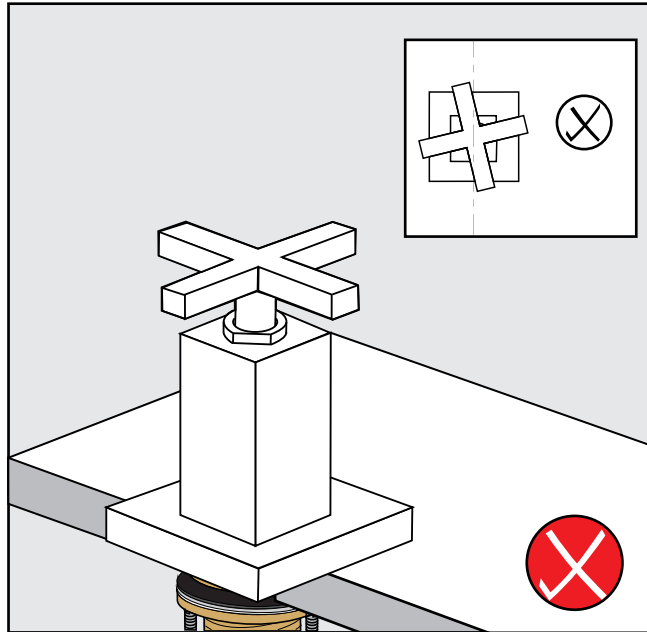
Dominic *plus* Roman tub faucet - Line 85

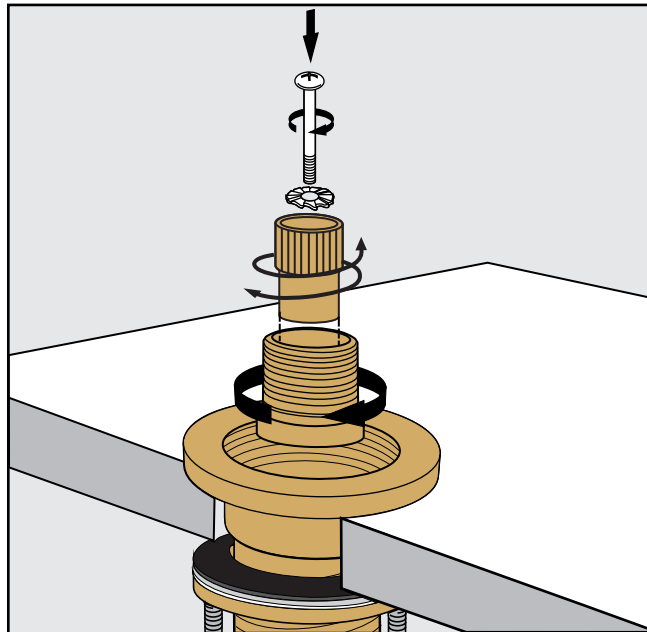
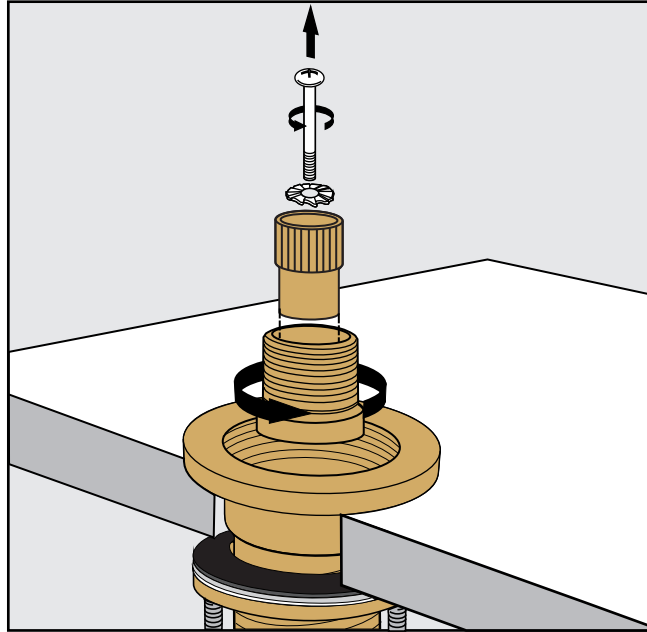
FV133/85.0
(Optional / not included)
Hand shower, diverter valve
& complete handle

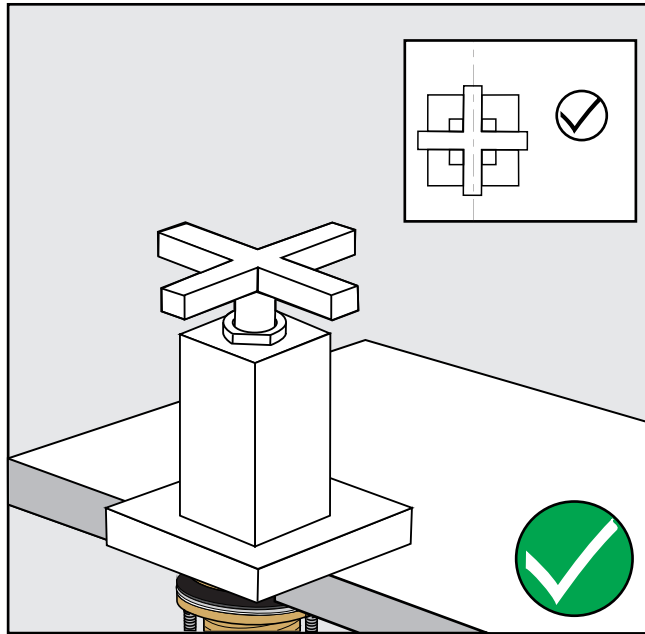


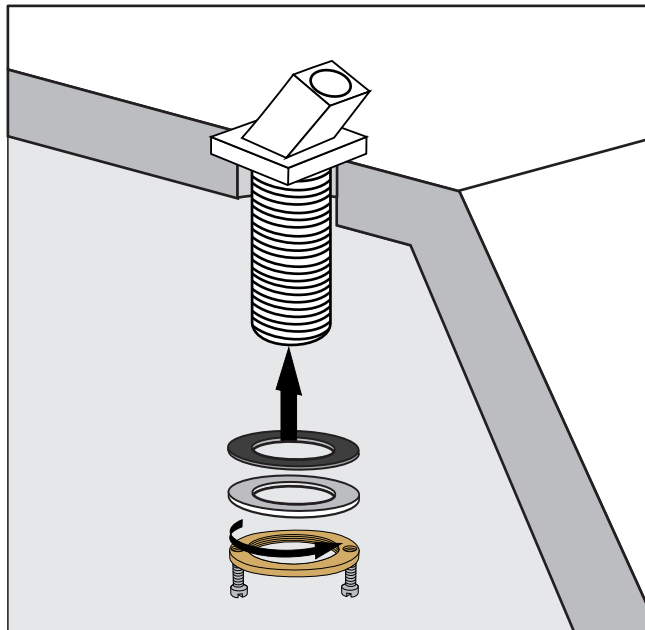
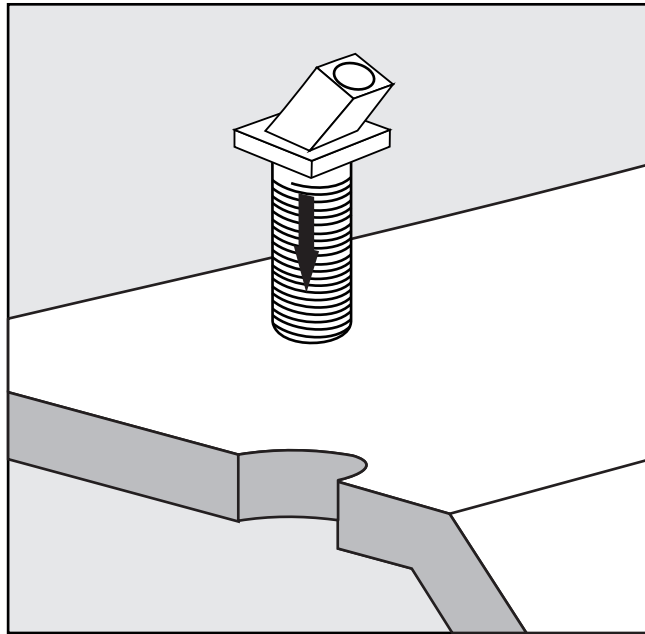


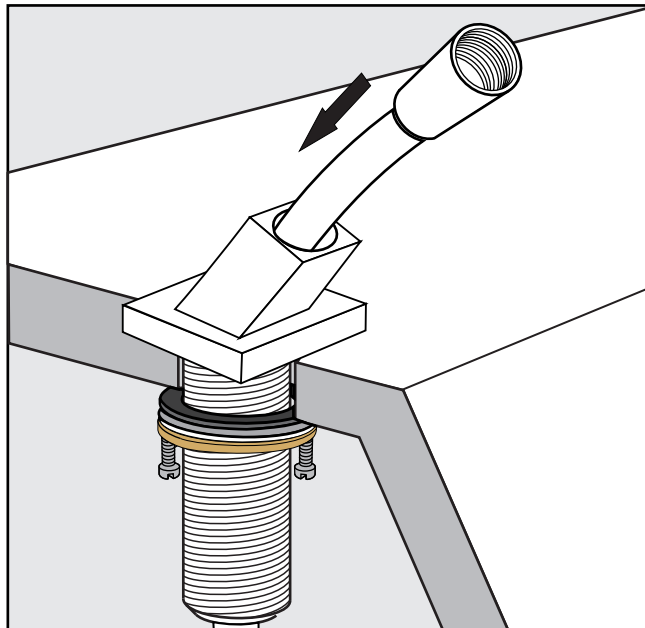
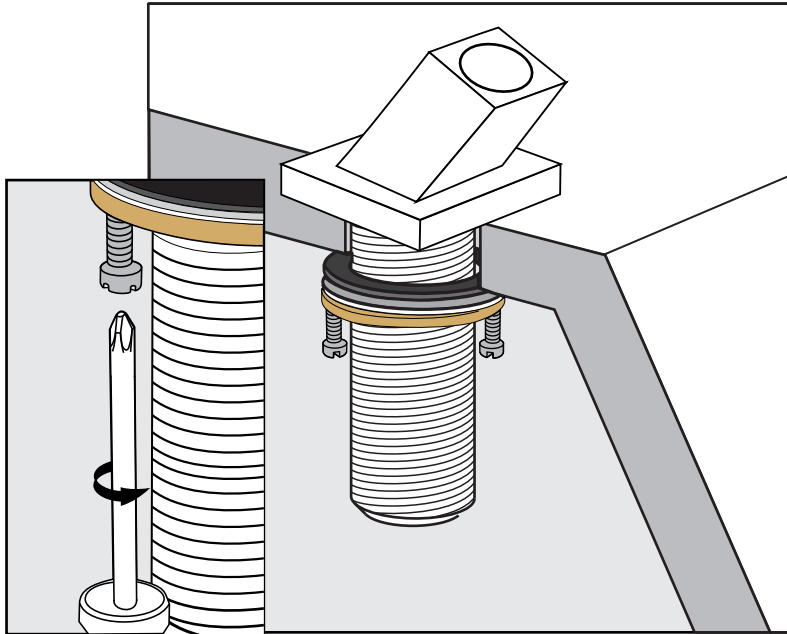


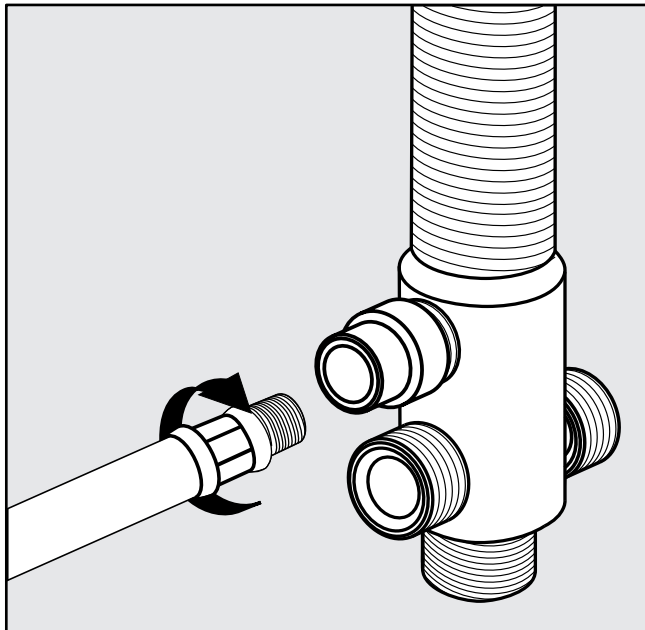
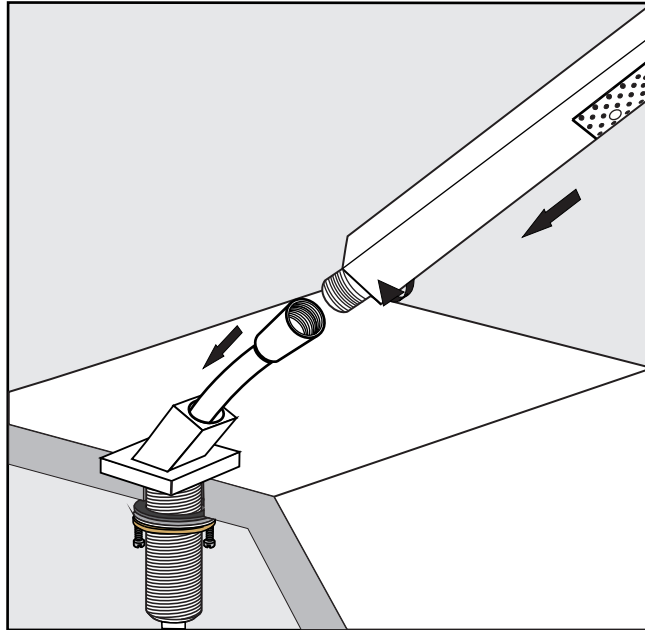


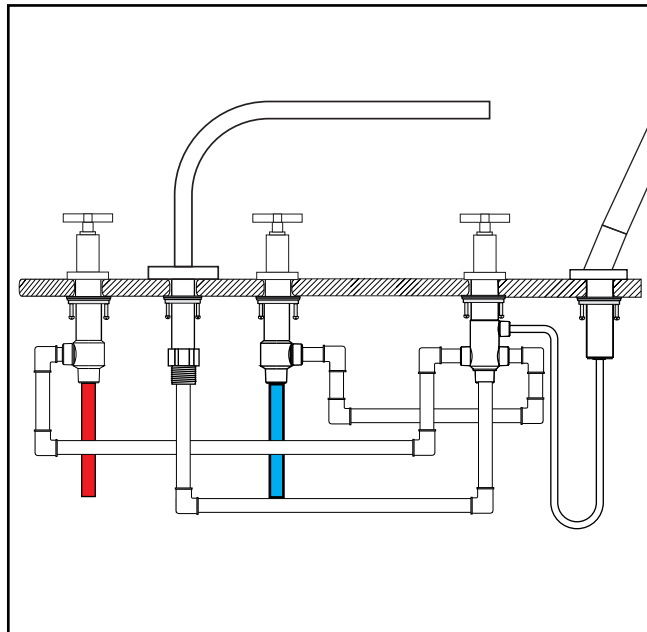
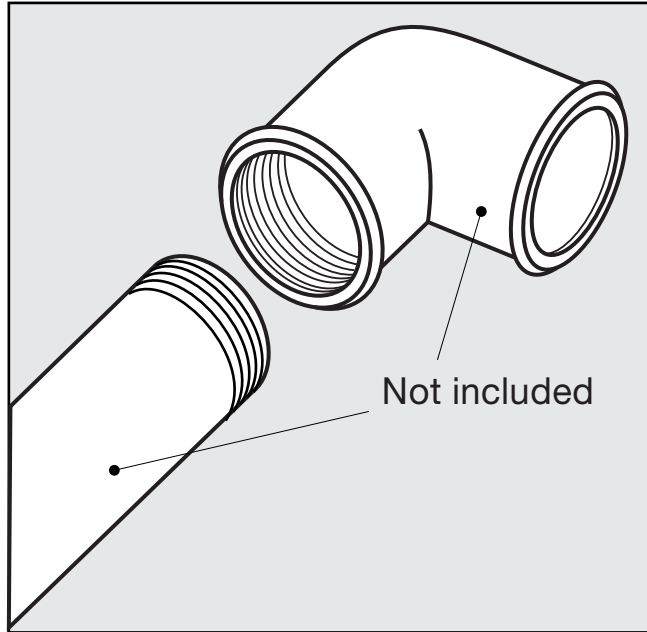




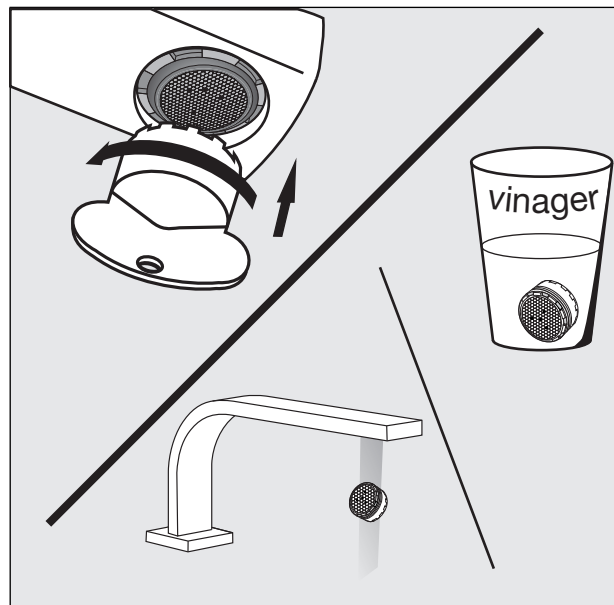
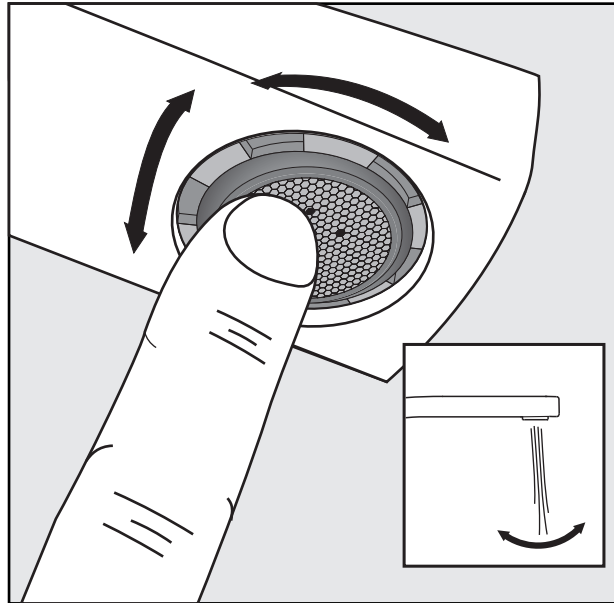








Installation**Dominic *plus* Roman tub faucet - Line 85**



FRANZ VIEGENER

A FV S.A. company.

4000 Porett Drive • Gurnee Illinois 60031

Phone 847-244-1234 / Fax 847-244-1259

FRANZ VIEGENER reserve the right to make revisions without notice in the design of faucets and bathroom accessories or in packaging.
FOLLFV210/85 / Edition No 1 _ February, 2011
