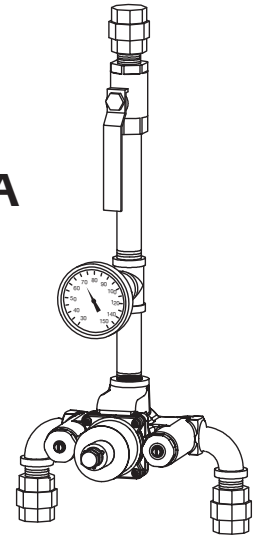


Location:

SYMMONS® TempControl®

Thermostatic Mixing Valve and Piping Models 7-102A, 7-200A, 7-400A, 7-500A, 7-700A Specification Submittal



Feature Highlights

- TempControl thermostatic controller
 - ▷ Check stops
 - ▷ Removable/replaceable cartridge
 - ▷ Stainless steel piston
 - ▷ Thermal motor with Turbulator™
- Volume control shut-off valve
- Bimetal dial thermometer
 - ▷ Range 20°-240°F (-7°- 116°C)
 - ▷ 3 inch (76 mm) face
- Standard brass pipes, fittings and unions
- Standard rough bronze finish
- TempControl valves are certified to:
 - ▷ ASME A112.18.1/CSA B125.1
 - ▷ CSA B125.3
 - ▷ ASSE 1017
 - ▷ CA 116875 (AB 1953)
 - ▷ NSF 372
 - ▷ US S.3874

Model Numbers

Models	----- Pipe sizes -----	
	Inlets	Outlets
<input type="checkbox"/> 7-102A*	1/2" (13mm)	1/2" (13mm)
<input type="checkbox"/> 7-200A*	3/4" (19mm)	3/4" (19mm)
<input type="checkbox"/> 7-400A*	3/4" (19mm)	1" (25mm)
<input type="checkbox"/> 7-500A*	1" (25mm)	1 1/4" (32mm)
<input type="checkbox"/> 7-700A*	1 1/4" (32mm)	1 1/2" (38mm)

*The 7 Series model numbers above replace the 6 Series

Options / Modifications

Append appropriate -suffix to model number

- ASB Factory assembled and tested
(with type L copper tubing)
- V Vacuum breaker (not shown)
- W Wall mounting bracket

Note: Standard valve and piping finish is rough bronze, brass or copper. Factory assembled and tested units are available in rough bronze, satin spray and satin spray with polished highlight finish with type L copper tubing.

Finish Options / Modifications

Append appropriate -suffix to model number

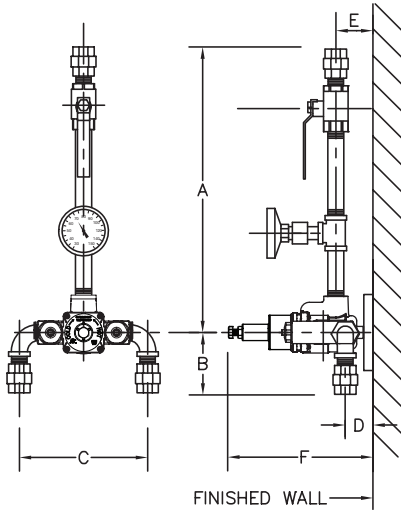
- NI Rough nickel finish
- P Valves and piping with a polished chrome highlight finish

Note: Finish options cannot be used in conjunction with suffix ASB.

Warranty

- 5 years - for commercial installations

Dimensions TempControl Thermistatic Mixing Valve and Piping, Models 7 Series



Note: Dimensions subject to change without notice.

Physical Dimensions

Valve Model	A	B	C	D	E	F
7-102A	12 5/8" (321mm)	1 1/2" (38mm)	3 1/2" (89mm)	2 1/8" (54mm)	2 1/8" (54mm)	9 1/4" (235mm)
7-200A	17 1/8" (435mm)	3 9/16" (90mm)	8 1/2" (216mm)	1 7/8" (48mm)	2 5/8" (67mm)	8 15/16" (226mm)
7-400A	17 3/8" (441mm)	3 9/16" (90mm)	8 1/2" (216mm)	1 7/8" (48mm)	2 7/16" (62mm)	9 3/4" (251mm)
7-500A	19 1/8" (486mm)	3 15/16" (100mm)	11" (279mm)	1 5/8" (41mm)	2 7/8" (73mm)	9 5/8" (248mm)
7-700A	22 1/2" (572mm)	4 11/16" (119mm)	12" (305mm)	1 5/8" (41mm)	2 7/8" (73mm)	9 13/16" (243mm)

Flow Rate - gpm (L/min)

Valve Model	Min. Flow Rate*	Min. Flow Rate (per ASSE 1017)	Pressure Differential - psi (kPa)					
			5 psi (34 kPa)	10 psi (69 kPa)	20 psi (138 kPa)	25 psi (172 kPa)	30 psi (207 kPa)	45 psi (310 kPa)
7-102A	0.5 gpm (1.9 L/min)	0.5 gpm (1.9 L/min)	1 gpm (4 L/min)	3 gpm (11 L/min)	6 gpm (23 L/min)	7 gpm (27 L/min)	8 gpm (30 L/min)	11 gpm (42 L/min)
7-200A	0.5 gpm (1.9 L/min)	5 gpm (19 L/min)	7 gpm (27 L/min)	12 gpm (46 L/min)	18 gpm (68 L/min)	21 gpm (80 L/min)	23 gpm (87 L/min)	27 gpm (102 L/min)
7-400A	0.5 gpm (1.9 L/min)	9 gpm (34 L/min)	18 gpm (68 L/min)	27 gpm (102 L/min)	37 gpm (140 L/min)	41 gpm (155 L/min)	44 gpm (167 L/min)	53 gpm (201 L/min)
7-500A	0.5 gpm (1.9 L/min)	13 gpm (49 L/min)	22 gpm (83 L/min)	38 gpm (144 L/min)	50 gpm (190 L/min)	55 gpm (209 L/min)	59 gpm (224 L/min)	70 gpm (265 L/min)
7-700A	0.5 gpm (1.9 L/min)	13 gpm (49 L/min)	25 gpm (95 L/min)	43 gpm (163 L/min)	57 gpm (216 L/min)	62 gpm (235 L/min)	66 gpm (250 L/min)	77 gpm (292 L/min)

*Minimum flow rate when valve is installed at or near the hot water source with recirculated tempered water and continuously operating circulating pump.